

Deutz

F4M 1011F

(SN 0275761 & Later)

&

BF4M 1011F

(SN 0262361 & Later)

Engines

Used In:

SL5635 & SL6635

Skid Loaders



Engine Parts Book

GEHL®

Introduction

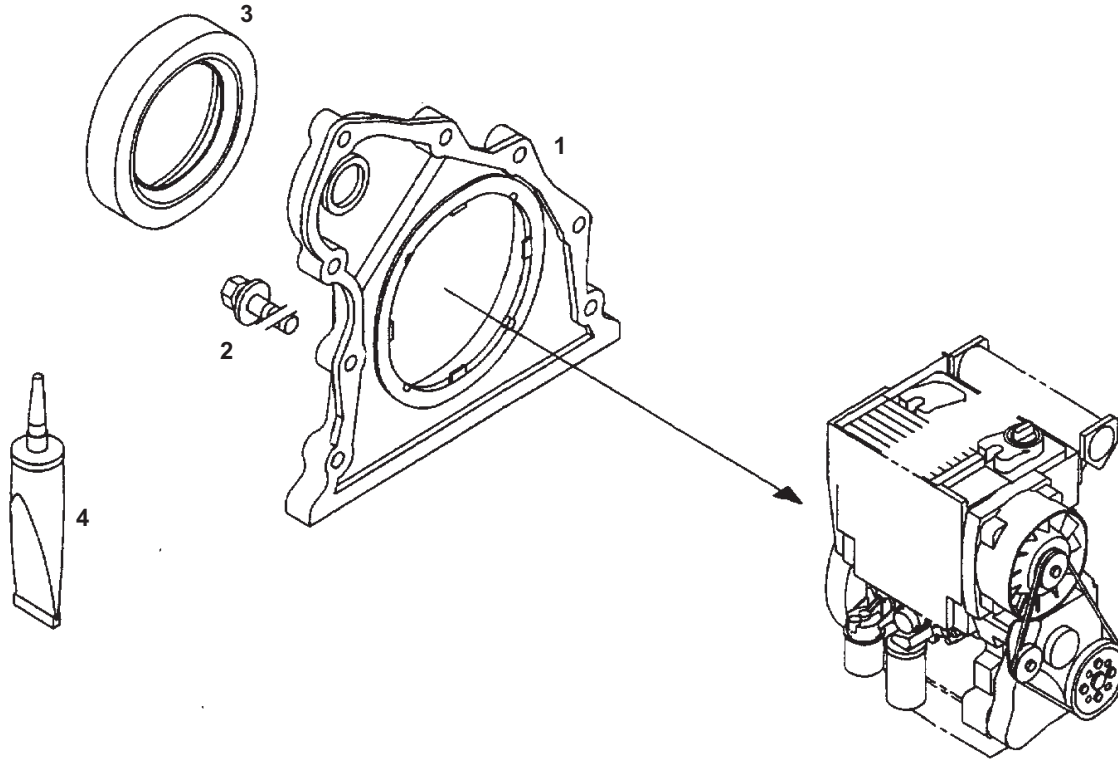
This manual covers F4M 1011F engines with serial number 0275761 and later, and BF4M 1011F engines with serial number 0262361 and later. The F4M 1011F (standard) engine is used in SL5635SX, SL5635DX and SL5635SX Series II skid loaders. The BF4M 1011F (turbo) engine is used in SL5635SXT, SL5635DXT, SL6635SXT, SL6635DXT, SL5635SXT Series II, SL5635DXT Series II, SL6635SXT Series II and SL6635DXT Series II skid loaders. When ordering service parts, specify the correct part number, full description, quantity required, and the engine model number and serial number (located on a plate on the valve mechanical cover).

Items shown that do not have a part number are shown for reference purposes only and are not available for purchase.

Gehl® Company reserves the right to make changes or improvements in the design or construction of any part of the unit without incurring the obligation to install such changes on any previously delivered units.

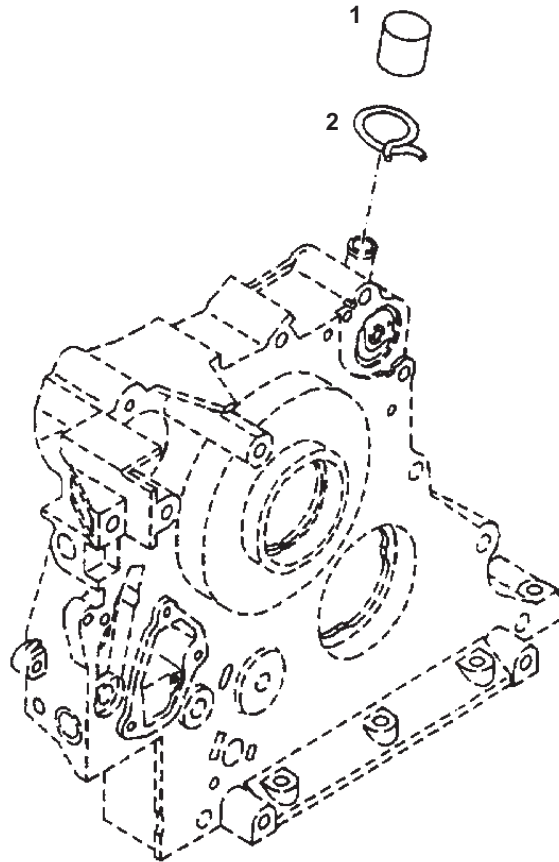
Table of Contents

ADAPTER HOUSING	54	FUEL SUPPLY PUMP	37
AIR FILTER FITMENT	44	GASKET SET	67
ALTERNATOR BRACKET	57	GLOW PLUG	45
ALTERNATOR FASTENINGS	58	HEATER CONNECTION	30
ALTERNATOR	56	HIGH PRESSURE PIPE	40
BUFFER SPRING	47	INDEX	69
CAMSHAFT DRIVE	19	INTAKE MANIFOLD	41
CAMSHAFT	20	LUBRICATION OIL FILTER	25
CAP	2	LUBRICATION OIL LINE	28
CONNECTING ROD	13	LUBRICATION OIL PUMP	24
CONTROL ROD	51	OIL FILTER FASTENINGS	26
CONTROL UNIT	60	OIL PAN	7
COOLING AIR BAFFLE	59	OIL PRESSURE SWITCH	61
COVER PLATE	11	OIL RETURN LINE	29
CRANKCASE BREATHER	5	OIL SUCTION LINE	27
CRANKSHAFT ACCESSORIES	8	OVERFLOW LINE	38
CRANKSHAFT	9	PISTON	14
CYLINDER HEAD FASTENINGS	16	POWER TAKE-OFF	10
CYLINDER HEAD	17	PROTECTION HOOD	21
DIPSTICK&DIPSTICK GUIDE	3	RADIATOR CONNECTIONS	31
ENGINE BLOCK	6	REAR END COVER	1
EXHAUST MANIFOLD	63	ROCKER ARM BRACKET	22
FAN SUPPORT	53	SCREW PLUG	32
FILLER CAP	15	SHUTDOWN DEVICE	65
FILTER CARTRIDGE	33	STARTER	55
FLYWHEEL	12	TEMPERATURE TRANSMITTER	62
FRONT BLOCK PLUGS	48	TORQUE CAPSULE	46
FRONT COVER/GOVERNOR	49	TURBOCHARGER	43
FRONT COVER PLUG	66	VALVE DRIVE	23
FUEL INJECTION PUMP	34	VALVE MECHANICAL COVER	18
FUEL INJECTOR	35	V-BELT	52
FUEL LINE	39		



5051009

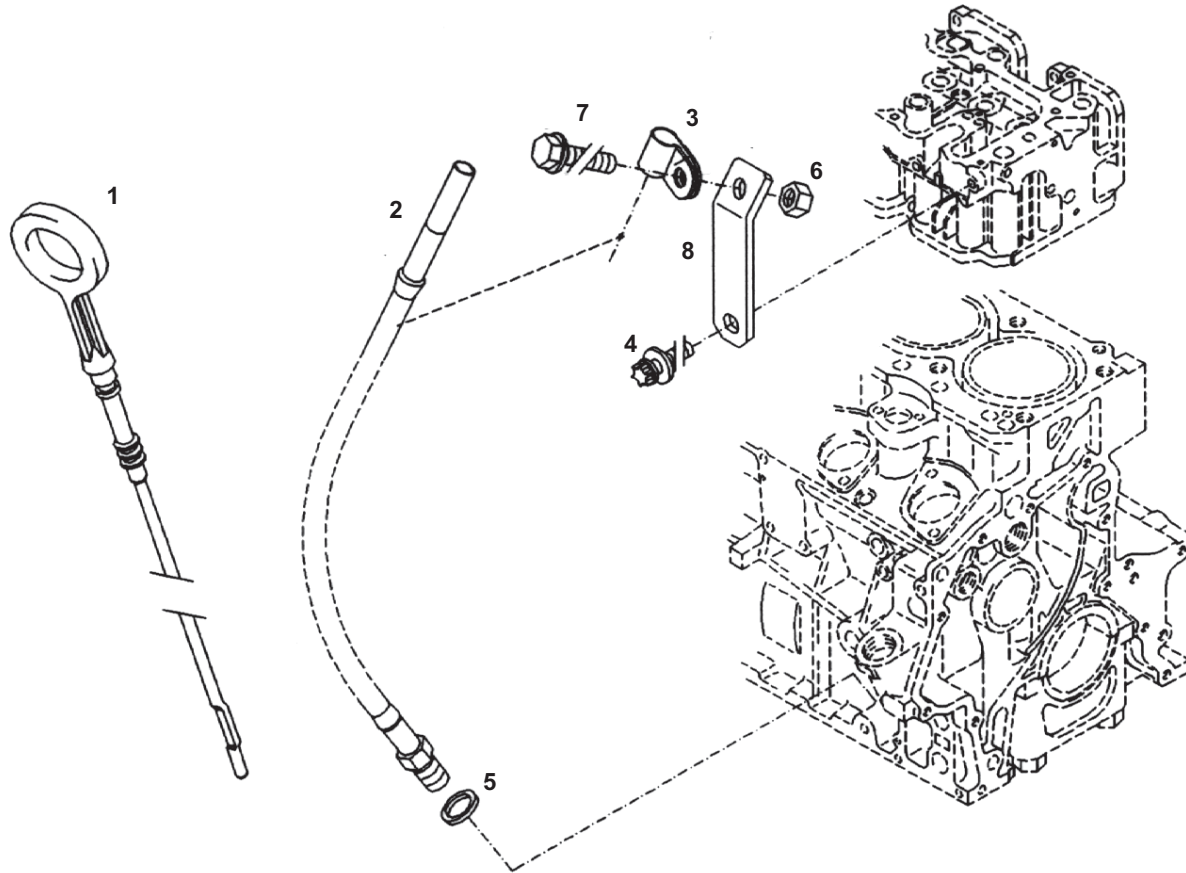
Ref No.	Part No.	Description	Quantity
1	133390	COVER/REAR END	1
2	133204	BOLT/HEX 8 X 30MM CLASS 8.8	8
3	133387	SEAL/ROTATION SHAFT LIP	1
4	133100	COMPOUND/PACKING 250 ML	1



5067706

Ref No.	Part No.	Description	Standard
1	135520	CAP	1
2	133202	CLIP/HOSE	1

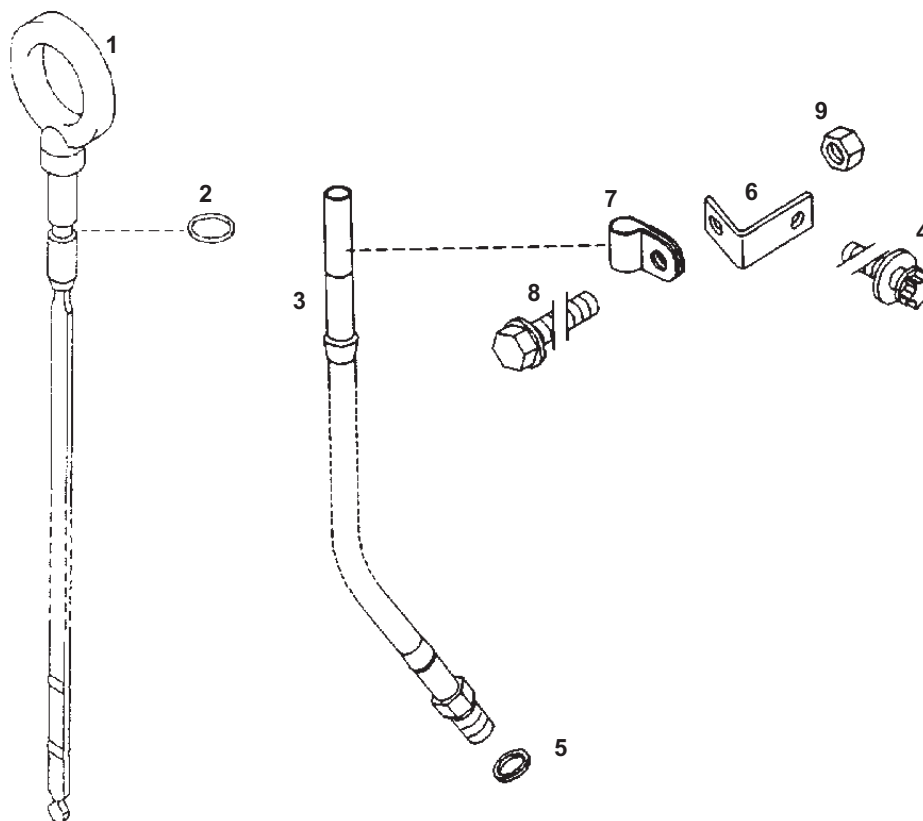
Engine Serial Number 0336636 & later - Standard
 Engine Serial Number 0336184 & later - Turbo



5074018
 5074035

Ref No.	Part No.	Description	Quantity
1	133562	DIPSTICK	1
2	133555	TUBE/GUIDE	1
3	133556	CLAMP/PIPE	1
4	133235	BOLT/TORX HEAD 8 X 25MM CLASS 8.8	1
5	133134	RING/SEALING 14 X 20MM	1
6	135496	NUT/HEX 6-8MM	1
7	133253	BOLT/HEX 6 X 16MM CLASS 10.9	1
8	133561	BRACKET	1

Before Engine Serial Number 0336636 - Standard
 Before Engine Serial Number 0336184 - Turbo



5067762
 5067789

Ref No.	Part No.	Description	Quantity
1	133257	DIPSTICK (INCLUDES ITEM 2)	1
2	133186	O-SEAL 5 X 1.5MM	1
3	133500	TUBE/GUIDE	1
4	133234	BOLT/TORX HEAD 8 X 20MM CLASS 8.8	1
5	133134	RING/SEALING 14 X 20MM	1
6	133494	BRACKET	1
7	133556	CLAMP/PIPE	1
8	133253	BOLT/HEX 6 X 16MM CLASS 10.9	1
9	135496	NUT/HEX 6-8MM	1