

Deutz Engines F3M 2011F

(SN 0654097 and Later)

BF3M 2011F

(SN 0590544 and Later)

F4M 2011F

(SN 0529127 and Later)

BF4M 2011F

(SN 0550682 and Later)

Used In:

**SL4640, SL4840,
SL5640, SL6640
Skid-Steer Loaders**



Engine Service Parts Manual

Form No.
917108

Revision C
05/07

DEUTZ[®]

Introduction

This manual covers F3M 2011F engines with serial number 0654097 and later and BF3M 2011F engines with serial number 00590544 and later, and F4M 2011F engines with serial number 0529127 and BF4M 2011F engines with serial number 0550682 and later. The F3M 2011F and BF3M 2011F engines are used in SL4640 skid-steer loaders. The F4M 2011F and BF4M 2011F engines are used in SL4840, SL5640, and SL6640 skid-steer loaders. When ordering service parts, specify the correct part number, full description, quantity required, and the engine model number and serial number (located on a plate on the valve mechanical cover).

Items shown that do not have a part number are shown for reference purposes only and are not available for purchase separately.

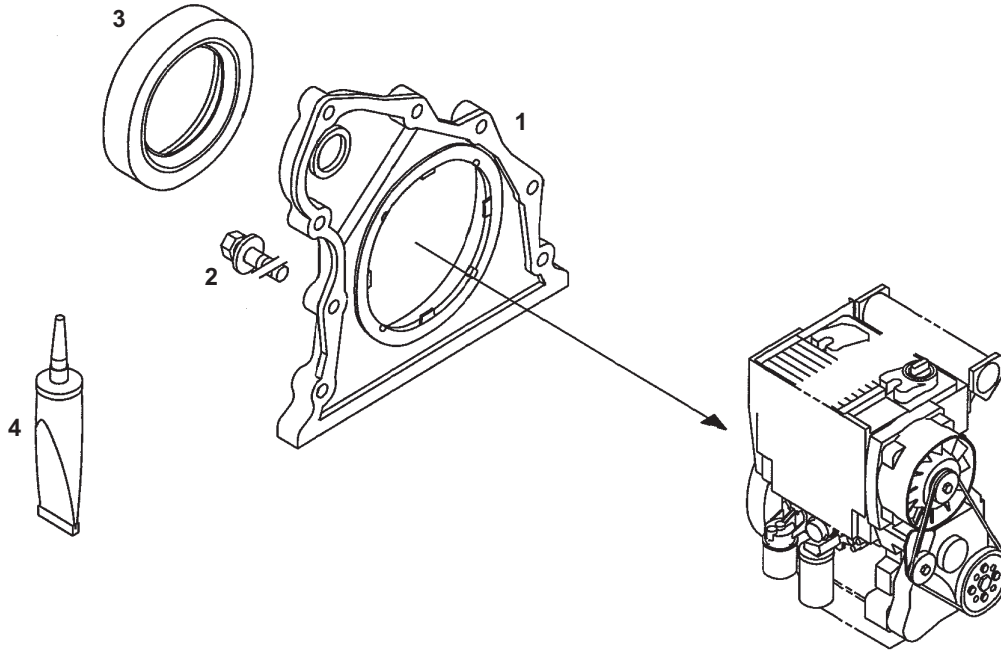
Use only genuine original equipment manufacturer service parts. All service parts should be obtained from or ordered through your Gehl® dealer.

Gehl® Company reserves the right to make changes or improvements in the design or construction of any part of the unit without incurring the obligation to install such changes on any previously delivered units.

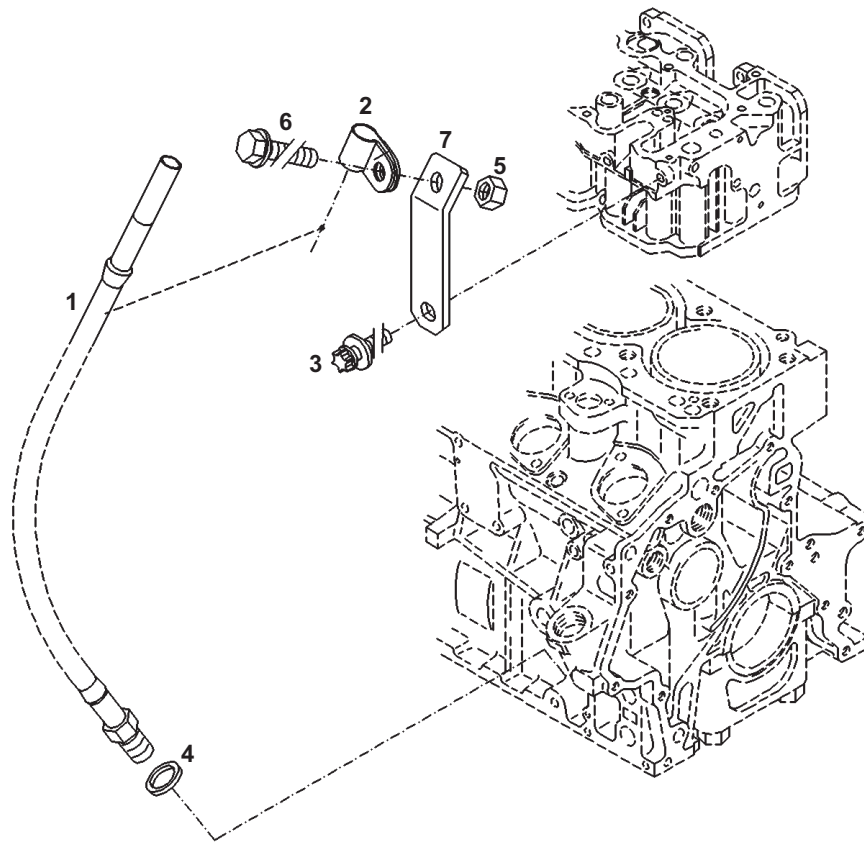
IMPORTANT: *Deutz engine service parts are driven by individual engine serial numbers. The Deutz Company does not use serial number ranges. Running changes made to Deutz engines during assembly may be unique to that engine. To help ensure that you receive the correct parts for your engine, have your engine serial number available when ordering through our Gehl Customer Service Department.*

Table of Contents

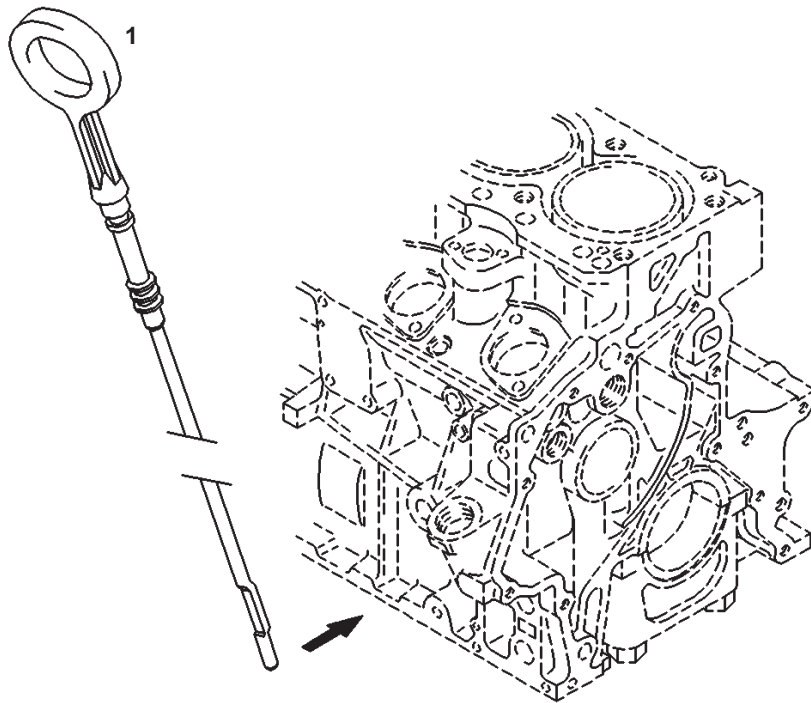
Introduction	i	BOOST CONTROL	41
REAR END COVER	1	HIGH PRESSURE PIPE	42
GUIDE TUBE	2	SUCTION PIPE FLANGE	43
DIPSTICK	3	SUCTION PIPE	44
CRANKCASE ACCESSORIES	4	AIR CLEANER	45
CRANKCASE BREATHER	5	SUCTION PIPE/AIR CLEANER ACCESSORIES	47
ENGINE BLOCK	7	CHARGE AIR ELBOW	48
OIL PAN	8	CHARGE AIR PIPE	49
CRANKSHAFT ACCESSORIES	9	TRANSFER PIPE	50
CRANKSHAFT	10	HOSE ASSEMBLY	51
POWER TAKE-OFF	11	AIR FILTER FITMENT	52
COVER PLATE	12	TURBOCHARGER	53
FLYWHEEL	13	GLOW PLUG	54
CONNECTING ROD	14	TORQUE CAPSULE	55
PISTON	15	BUFFER SPRING	56
FILLER CAP	16	FRONT COVER/GOVERNOR	57
CYLINDER HEAD FASTENINGS	17	CONTROL ROD	59
CYLINDER HEAD	18	V-BELT	60
VALVE MECHANICAL COVER	19	AIR COMPRESSOR	61
CAMSHAFT DRIVE	20	FAN SUPPORT	62
CAMSHAFT	21	ADAPTER HOUSING	63
PROTECTION HOOD & FASTENINGS	22	STARTER	64
ROCKER ARM BRACKET	23	ENGINE MOUNTING	65
VALVE DRIVE	24	ALTERNATOR	66
LUBRICATION OIL PUMP	25	ALTERNATOR BRACKET	67
OIL FILTER & FASTENINGS	26	ALTERNATOR FASTENINGS	68
PILOT LINE	27	COOLING AIR BAFFLE	69
LUBRICATION OIL LINE	28	CONTROL UNIT	70
OIL SUCTION LINE	29	OIL PRESSURE SWITCH	71
OIL RETURN LINE	30	TEMPERATURE TRANSMITTER	72
HEATER CONNECTION	31	EXHAUST MANIFOLD	73
RADIATOR CONNECTION	32	COMPANION FLANGE	74
SCREW PLUG	33	SHUTDOWN DEVICE	76
FUEL INJECTION PUMP	34	GASKET SET	78
FUEL INJECTOR	36	PRESSURE RELIEF VALVE	79
FUEL SUPPLY PUMP	37	CONNECTING PLATE	80
FUEL LINE	38	INDEX	81
FUEL FILTER	40		



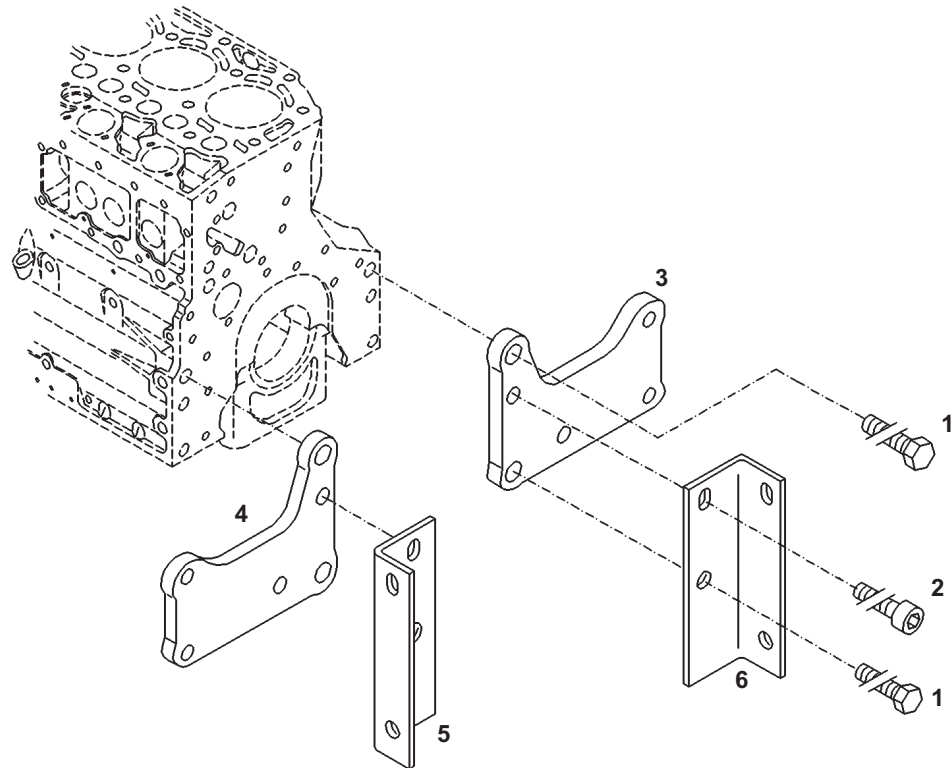
Ref No.	Part No.	Description	Quantity
1	190363	COVER/REAR END	1
2	133204	BOLT/HEX 8 X 30MM CLASS 8.8	8
3	133387	SEAL/ROTATION SHAFT LIP	1
4	187231	COMPOUND/PACKING 250 ML	AR



Ref No.	Part No.	Description	Quantity			
			F3M	BF3M	F4M	BF4M
1	133555	TUBE/GUIDE	1	-	-	-
	187192	TUBE/GUIDE	-	1	1	1
2	133556	CLAMP/PIPE	1	1	1	1
3	187233	BOLT/TORX-HEAD	1	1	-	-
	187234	BOLT/TORX-HEAD	-	-	1	1
4	133134	RING/SEALING	1	1	1	1
5	187267	NUT/HEX	1	1	1	1
6	187227	BOLT/HEX	1	1	1	1
7	133561	BRACKET	1	1	1	1



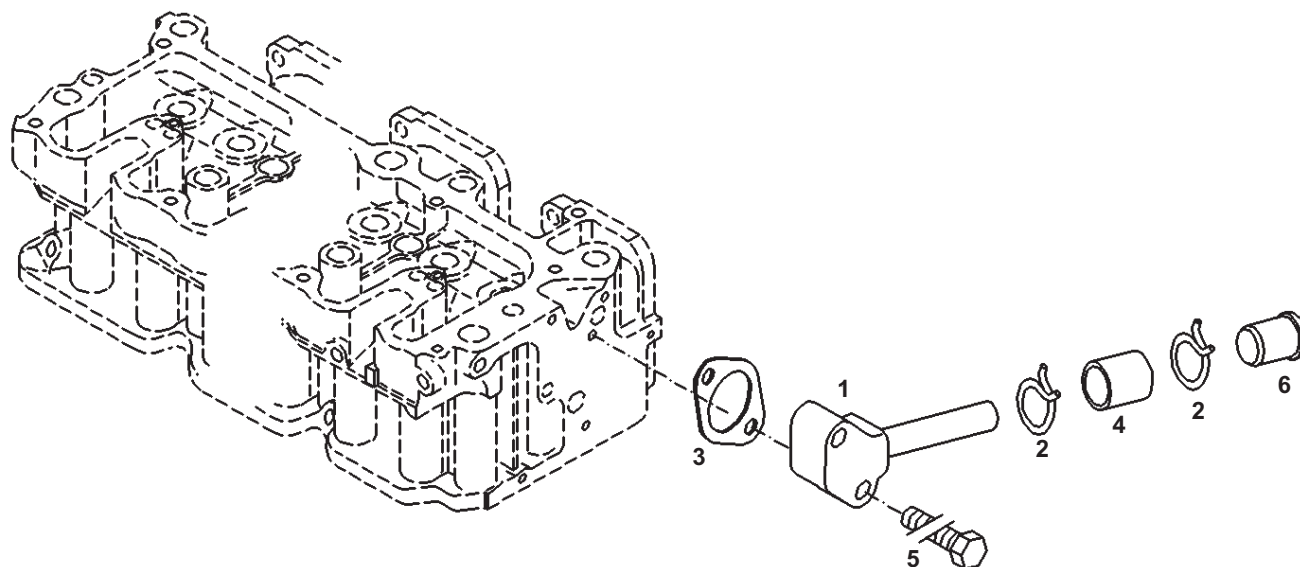
Ref No.	Part No.	Description	Quantity	
			F3M/BF3M	F4M/BF4M
1	135503	DIPSTICK	1	-
	133562	DIPSTICK	-	1



Ref No.	Part No.	Description	Quantity F4M
1	190346	BOLT/HEX	4
2	190351	SCREW/SOCKET	2
3	190347	BRACKET	1
4	190348	BRACKET	1
5	190349	RETAINER/ANGLED	1
6	190350	RETAINER/ANGLED	1

CRANKCASE BREATHER

2011 DEUTZ ENGINE



Ref No.	Part No.	Description	Quantity BF3M
1	187220	PIPE/BREATHER	1
2	133212	CLIP/HOSE	2
3	133553	GASKET	1
4	187206	SLEEVE/RUBBER	1
5	187221	BOLT/HEX	2
6	194286	PLUG	1