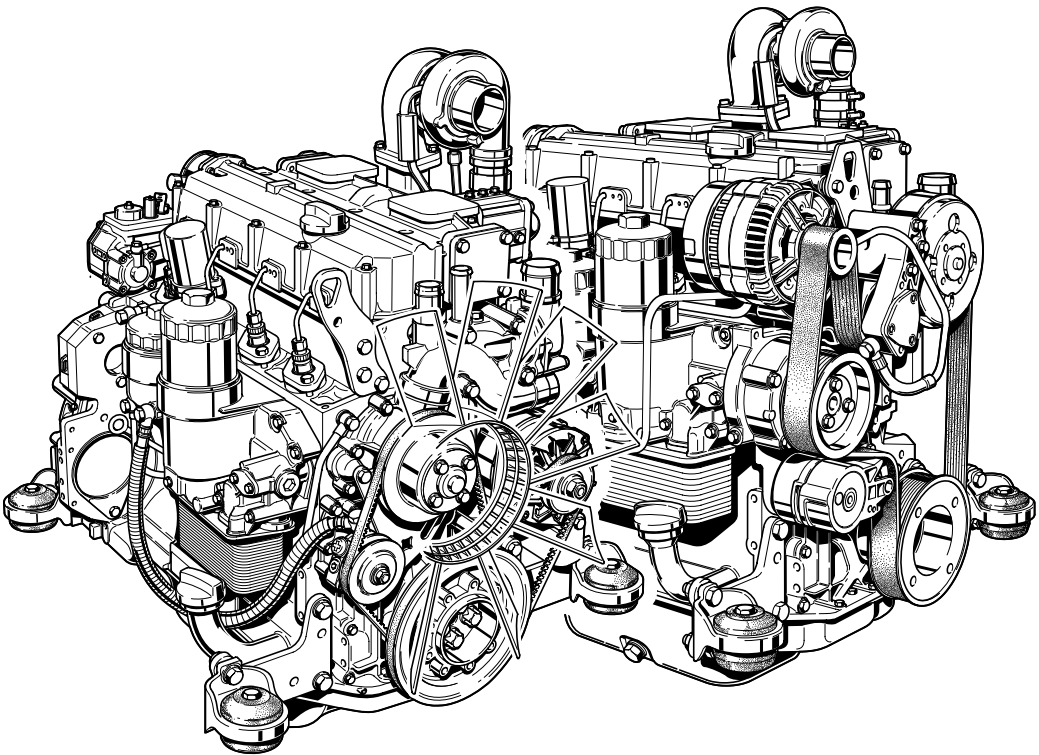


Operation Manual 2012



Safety guidelines / Accident prevention



- Please read and observe the information given in this Operation Manual. This will enable you to avoid accidents, preserve the manufacturer's warranty and maintain the engine in peak operating condition.
- This engine has been built exclusively for the application specified in the scope of supply, as described by the equipment manufacturer and is to be used only for the intended purpose. Any use exceeding that scope is considered to be contrary to the intended purpose. The manufacturer will not assume responsibility for any damage resulting therefrom. The risks involved are to be borne solely by the user.
- Use in accordance with the intended purpose also implies compliance with the conditions laid down by the manufacturer for operation, maintenance and servicing. The engine should only be operated by personnel trained in its use and the hazards involved.
- The relevant accident prevention guidelines and other generally accepted safety and industrial hygiene regulations must be observed.
- When the engine is running, there is a risk of injury through:
 - turning/hot components
 - engines with positive ignition
 - ignition systems (high electrical voltage)
You must avoid contact at all times!
- Unauthorized engine modifications will invalidate any liability claims against the manufacturer for resultant damage. Manipulations of the injection and regulating system may also influence the performance of the engine, and its emissions. Adherence to legislation on pollution cannot be guaranteed under such conditions.
- Do not change, convert or adjust the cooling air intake area to the blower. The manufacturer shall not be held responsible for any damage which results from such work.
- When carrying out maintenance/repair operations on the engine, the use of DEUTZ original parts is prescribed. These are specially designed for your engine and guarantee perfect operation. Non-compliance results in the expiry of the warranty!
- Maintenance and cleaning of the engine should only be carried out when the engine is switched off and has cooled down. You must ensure that the electrical systems have been switched off and the ignition key has been removed. Accident prevention guidelines concerning electrical systems (e.g. VDE-0100/-0101/-0104/-0105 Electrical protective measures against dangerous touch voltage) are to be observed. When cleaning with fluids, all electrical components are to be covered impermeably.

Operation Manual 2012

0297 9912 en

Engine Serial
Number:

--	--	--	--	--	--	--	--

Please enter the engine serial number here. This number should be quoted when inquiring about Customer Service, Repairs or Spare Parts (see Section 2.1).

Technical modifications required to improve our engines are reserved with regard to specification data and other technical information contained in this Operation Manual. No parts of this Manual may be reproduced in any form or by any means without our written approval.



Foreword

Dear Customer,

Liquid-cooled DEUTZ engines are designed for a large number of applications. Consequently, a wide range of variants are offered to meet the requirements of specific cases.

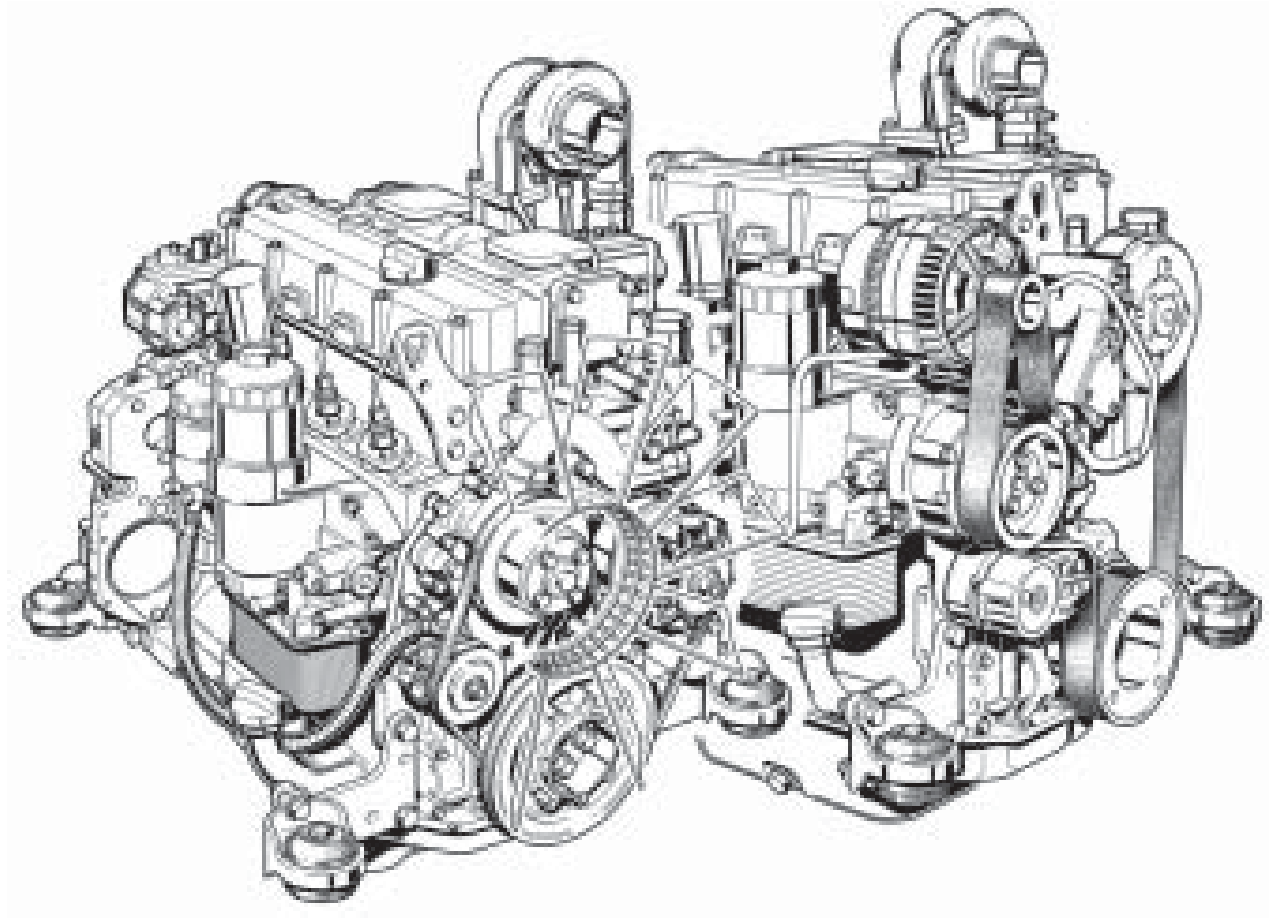
Your engine is appropriately equipped for the installation concerned, which means that not all of the components described in this Operation Manual are necessarily mounted to your engine.

We have endeavored to highlight any differences so that you will be able to locate the operating and maintenance instructions relevant to your engine quickly and easily.

Please read this Manual before starting your engine, and always observe the operating and maintenance instructions. We are available to help with any additional inquiries

Sincerely,

DEUTZ AG



1. General

2. Engine Description

- 2.1 Model
 - 2.1.1 Rating Plate
 - 2.1.2 Position of the Rating Plate
 - 2.1.3 Engine Serial Number
 - 2.1.4 Cylinder Enumeration
 - 2.2 Engine Illustrations
 - 2.2.1 Operating Side 2012 Ribbed V-belt Drive
 - 2.2.2 Starter Side 2012 Ribbed V-belt Drive
 - 2.2.3 Operating Side 2012
 - 2.2.4 Starter Side 2012
 - 2.3 Lube Oil Circuit Schematic
 - 2.3.1 Lube Oil Plan
 - 2.4 Fuel System
 - 2.4.1 Fuel System Plan
 - 2.5 Coolant System
 - 2.5.1 Coolant Plan 2012
- ## 3. Engine Operation
- 3.1 Commissioning
 - 3.1.1 Pour in Engine Oil
 - 3.1.2 Filling Oil Bath Air Filter with Engine Oil
 - 3.1.3 Pour in Fuel
 - 3.1.4 Fill / Bleed Cooling System
 - 3.1.5 Other Preparations
 - 3.2 Starting

- 3.2.1 Electric Starting
- 3.3 Monitoring Operation
 - 3.3.1 Engine Oil Pressure
 - 3.3.2 Coolant Temperature
- 3.4 Shutting off
 - 3.4.1 Mech. Stopping
 - 3.4.2 Electr. Stopping
- 3.5 Operating Conditions
 - 3.5.1 Winter Operation
 - 3.5.2 High Ambient Temperature, High Altitude

4. Operating Media

- 4.1 Lube Oil
 - 4.1.1 Quality
 - 4.1.2 Viscosity
- 4.2 Fuel
 - 4.2.1 Quality
 - 4.2.2 Winter Fuel
- 4.3 Coolant
 - 4.3.1 Water Quality for Coolant
 - 4.3.2 Coolant Treatment
 - 4.3.3 Cooling System Protectants

5. Routine Maintenance

- 5.1 Maintenance Plan
- 5.2 Maintenance Diagram
- 5.3 Maintenance Work Completed

6. Service and Maintenance

- 6.1 Lubrication System

- 6.1.1 Oil Change Intervals
- 6.1.2 Check Oil Level, Change Engine Oil
- 6.1.3 Replace Oil Filter
- 6.1.4 Clean/Replace Oil Filter (Cup)
- 6.2 Fuel System
 - 6.2.1 Replace Fuel Filter
 - 6.2.2 Fuel Pre-filter, Clean Filter Element / Replace if Necessary
 - 6.2.3 Bleed Fuel System with Fuel Pre-filter
 - 6.2.4 Bleed Fuel System without Fuel Pre-filter
- 6.3 Cooling System
 - 6.3.1 Cleaning Intervals
 - 6.3.2 Clean Cooling System
 - 6.3.3 Drain Cooling System
 - 6.3.4 Fill / Bleed Cooling System
- 6.4 Combustion Air Filter
 - 6.4.1 Cleaning Intervals
 - 6.4.2 Emptying Cyclone Type Precleaner
 - 6.4.3 Clean Oil Bath Air Filter
 - 6.4.4 Dry Type Air Cleaner
- 6.5 Belt Drives
 - 6.5.1 Check V-belts
 - 2012 Standard
 - 2012 with Ribbed V-belt

Index

- 6.5.2 Tension V-belts
Coolant / Fuel Pump
- 6.5.3 Replace V-belts
Coolant / Fuel Pump
- 6.5.4 Replace V-belts
Ribbed V-belts
- 6.5.5 Tension Alternator V-belts
- 6.5.6 Replace Alternator V-belts
- 6.5.7 Wedge rib V-belts wear limit examine
- 6.6 Adjustments
 - 6.6.1 Check Valve Clearance (Adjust if Necessary)
 - 6.6.1.1 Valve Clearance Adjustment Plan
- 6.7 Accessories
 - 6.7.1 Battery
 - 6.7.2 Rotary Current Alternator
 - 6.7.3 Transportation Shackles

7. Faults, Causes and Remedies

- 7.1 Fault Table

8. Engine Preservation

- 8.1 Preservation

9. Technical Specification

- 9.1 Engine Specifications and Settings
- 9.2 Screw Tightening Torques
- 9.3 Tools

10. Service

DEUTZ Diesel Engines

are the product of many years of research and development. The resulting know-how, coupled with stringent quality standards, guarantee their long service life, high reliability and low fuel consumption.

It goes without saying that DEUTZ Diesel Engines meet the highest standards for environmental protection.

Beware of Running Engine

Shut the engine down before carrying out maintenance or repair work. Ensure that the engine cannot be accidentally started. Risk of accidents.

When the work is complete, be sure to refit any panels and guards that may have been removed. Never fill the fuel tank while the engine is running. Observe industrial safety regulations when running the engine in an enclosed space or underground.

Care and Maintenance

Sound care and maintenance practices will ensure that the engine continues to meet the requirements placed on it. Recommended service intervals must be observed and service and maintenance work carried out conscientiously.

Special care should be taken under abnormally demanding operating conditions.

Safety



This symbol is used for all safety warnings. Please follow them carefully. The attention of operating personnel should be drawn to these safety instructions. General safety and accident prevention regulations laid down by law must also be observed.

Asbestos



DEUTZ original parts are asbestos-free.

Service

Please contact one of our authorized service representatives in the event of breakdowns or for spare parts inquiries. Our trained specialists will carry out repairs quickly and professionally, using only genuine spare parts.

Original parts from DEUTZ AG are always produced in accordance with state-of-the-art technology. Please turn to the end of this manual for further service information.

California Proposition 65 Warning

Diesel engine exhaust and some of its constituents are known to the State of California to cause cancer, birth defects, and other reproductive harm.

