

Form No.
907763
Revision B
09/99

Deutz BF 4M1011F Engines

(Before SN 0262361)

Used In:

SL5635 & SL6635 Skid Loaders



Engine Parts Book

GEHL[®]

Introduction

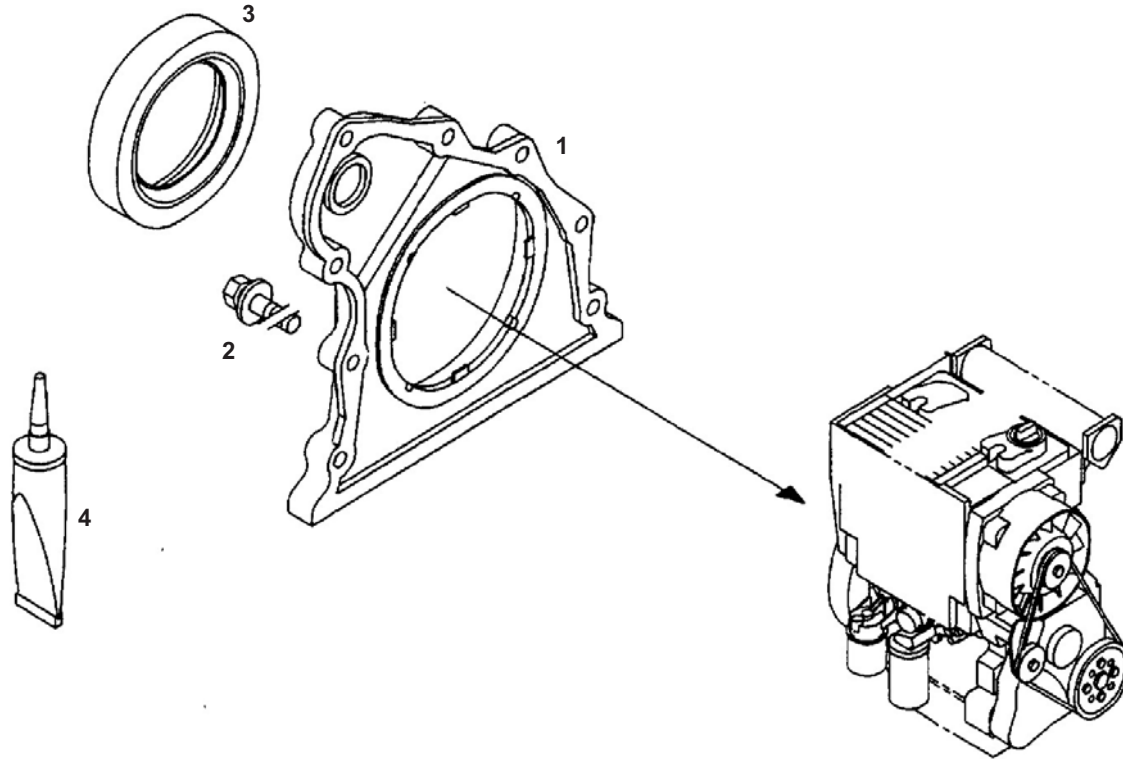
This manual covers BF 4M 1011F engines (Gehl part number 130320) used in SL5635SXT, SL5635DXT, SL6635SXT and SL6635DXT skid loaders. When ordering service parts, specify the correct part number, full description, quantity required, and the engine model number and serial number (located on a plate on the valve mechanical cover). **NOTE:** This manual only covers engines **before** engine serial number 0262361.

Items shown that do not have a part number are shown for reference purposes only and are not available for purchase. Part numbers may change. Your Gehl dealer will have the latest part number.

Gehl® Company reserves the right to make changes or improvements in the design or construction of any part of the unit without incurring the obligation to install such changes on any previously delivered units.

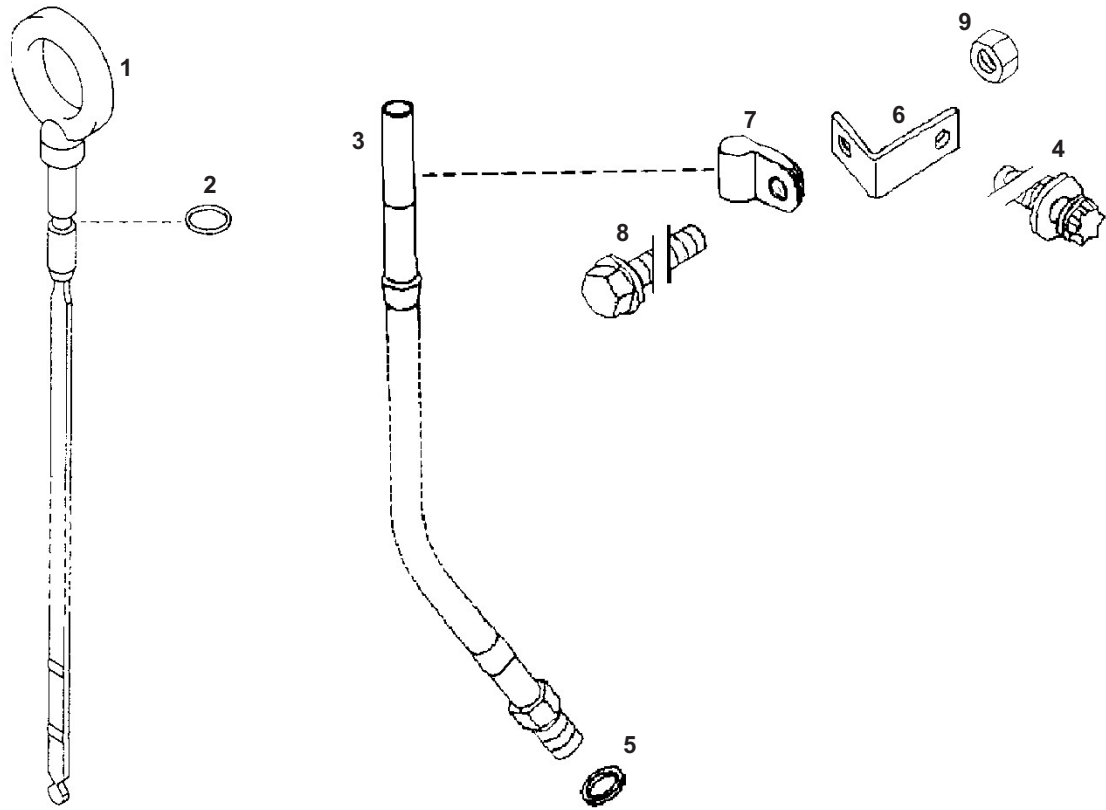
Table of Contents

Adapter Housing	50	Glow Plug	42
Alternator.	52	Heater Connection	29
Alternator Bracket	53	High Pressure Pipe	39
Alternator Fastenings	54	Index	61
Camshaft.	19	Intake Manifold	40
Camshaft Drive	18	Narrow V-Belt	48
Connecting Rod	12	Lubrication Oil Filter	24
Control Rod	47	Lubrication Oil Line	27
Control Unit	55	Lubrication Oil Pump.	23
Cover Plate	10	Oil Filter Fastenings	25
Crankcase Breather	3	Oil Pan	6
Crankshaft.	8	Oil Pressure Switch.	56
Crankshaft Accessories	7	Oil Return Line	28
Cylinder Head	16	Oil Suction Line.	26
Cylinder Head Fastenings.	15	Overflow Line	37
Dipstick	2	Piston	13
Engine Block	5	Power Take-Off	9
Exhaust Manifold.	58	Protection Hood	20
Fan Support	49	Radiator Connections	30
Filler Cap.	14	Rear End Cover	1
Filter Cartridge	32	Rocker Arm Bracket	21
Flywheel	11	Screw Plug	31
Front Block Plugs	44	Shutdown Device	59
Front Cover/governor	45	Starter	51
Fuel Injection Pump	33	Temperature Transmitter.	57
Fuel Injector	35	Torque Capsule.	43
Fuel Line	38	Turbocharger.	41
Fuel Supply Pump.	34	Valve Drive	22
Gasket Set	60	Valve Mechanical Cover	17



5051009

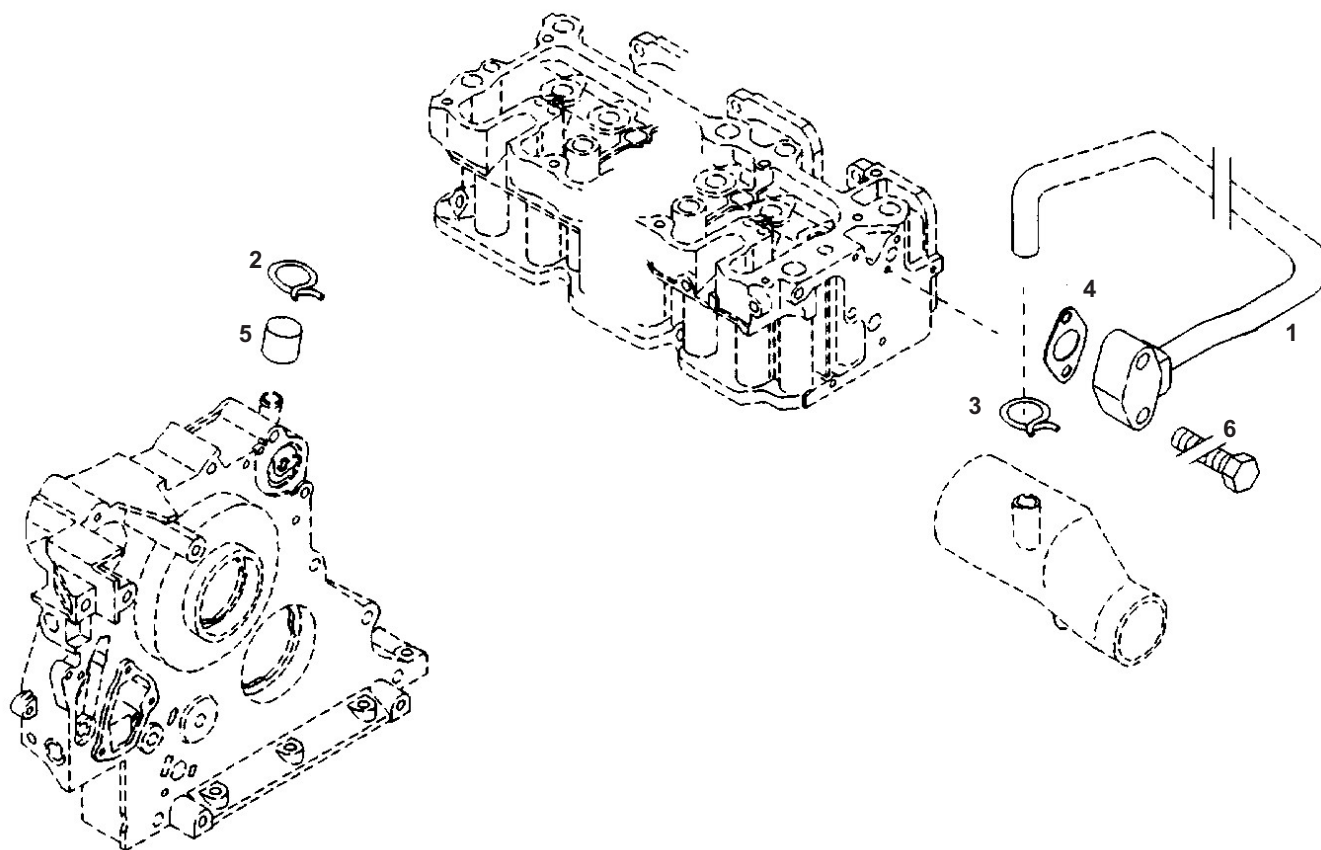
Ref No.	Part No.	Description	Quantity
1	133390	COVER/REAR END	1
2	133204	BOLT/HEX 8 X 30MM CLASS 8.8	8
3	133387	SEAL/ROTATION SHAFT LIP	1
4	133100	COMPOUND/PACKING 250 ML	1



5067762
5067789

Ref No.	Part No.	Description	Quantity
1	133257	DIPSTICK (INCLUDES ITEM 2)	1
2	133186	O-SEAL 5 1.5MM	1
3	133500	TUBE/GUIDE	1
4	133234	BOLT/TORX HEAD 8 X 20MM CLASS 8.8	1
5	133134	RING/SEALING 14 X 20MM	1
6	133494	BRACKET	1
7	133501	CLAMP/PIPE	1
8	133253	BOLT/HEX 6 X 16MM CLASS 10.9	1
9	133125	NUT/HEX 6-8MM	1

Engine Serial Number 0214548 & later



5069156

Ref No.	Part No.	Description	Quantity
1	133552	PIPE/BREATHER	1
2	133202	CLIP/HOSE	1
3	133212	CLIP/HOSE	1
4	133553	GASKET	1
5	133482	CAP	1
6	133554	BOLT/HEX 6 X 30MM	2