

Each of the three rocker arm assemblies contain bushings where the rocker arms are supported on the rocker arm shafts. These bushings are not serviced separately. Each intake rocker arm assembly operates two intake valves in each cylinder. Each exhaust rocker arm assembly operates two exhaust valves in each cylinder. In each set of rocker arm assemblies, the exhaust rocker assembly is the widest, straddling the intake and fuel injector rocker arm assembly. The center rocker operates the fuel injector follower. See Figure 1-49.

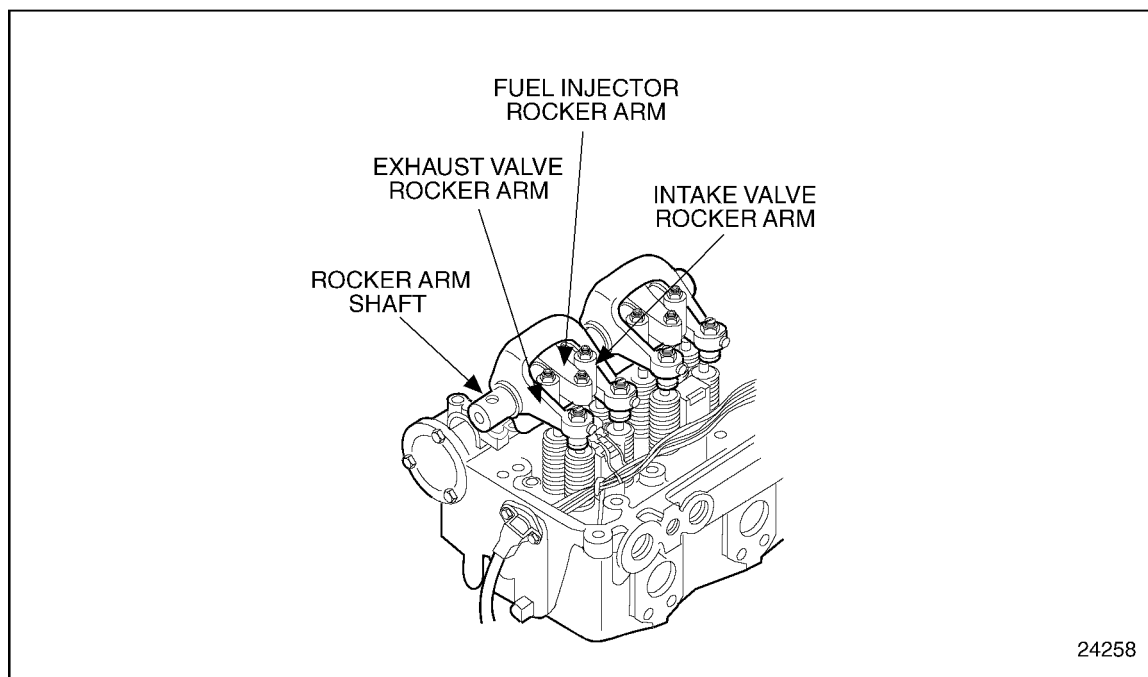
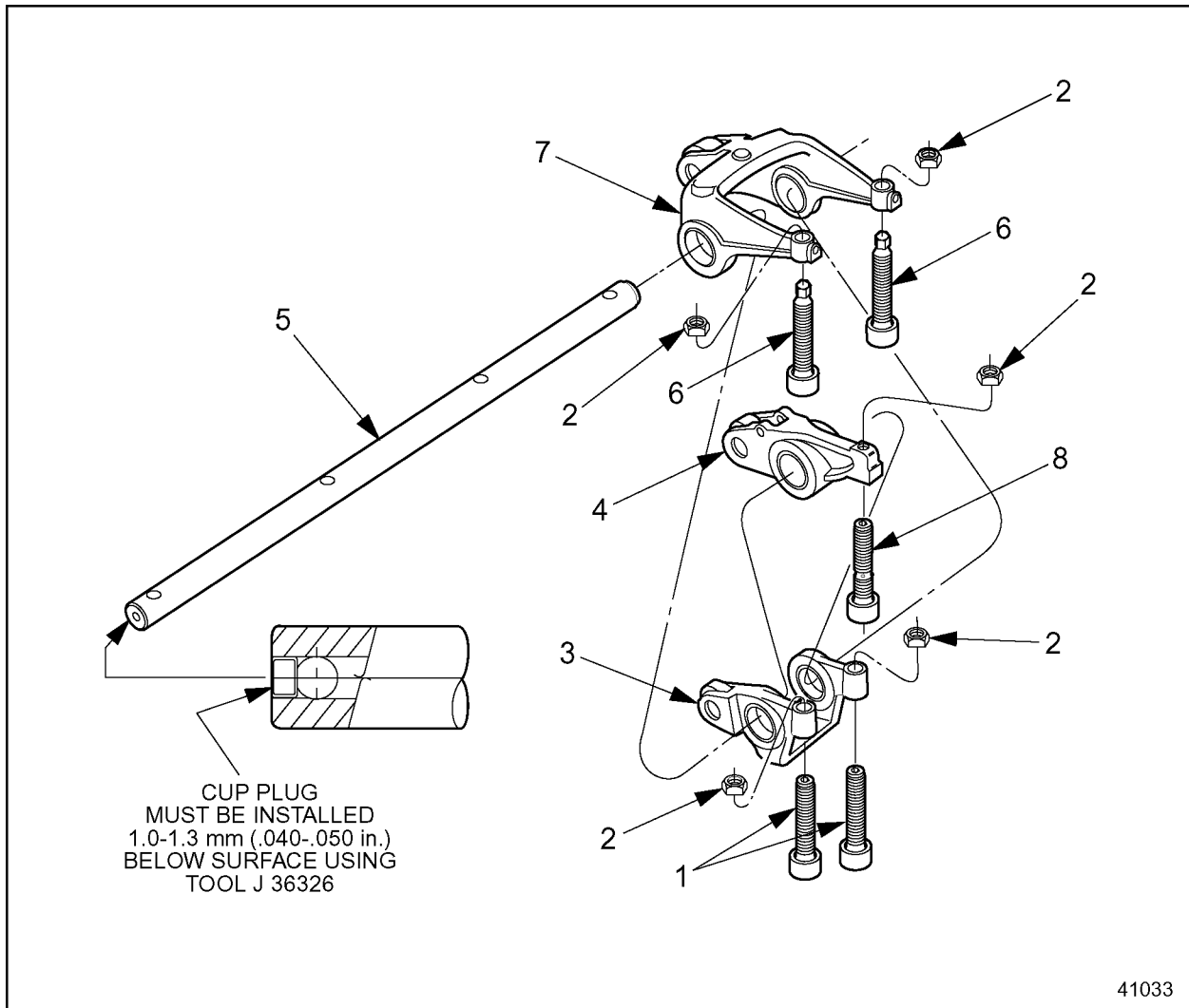


Figure 1-49 Rocker Arm Identification

The fuel injector rocker arm assembly is located between the intake and exhaust rocker arm assemblies and has a single bushing (not serviced separately). A rocker arm shaft carries three sets of rocker arm assemblies and is mounted in seats machined into the camshaft bearing caps. See Figure 1-50 and see Figure 1-51.



- | | |
|---|---|
| 1. Unitized Valve Adjusting Screw Assembly; Intake position | 5. Rocker Arm Shaft |
| 2. Locknut | 6. Unitized Valve Adjusting Screw Assembly; Exhaust position |
| 3. Intake Rocker Arm Assembly | 7. Exhaust Rocker Arm Assembly |
| 4. Fuel Injector Rocker Arm Assembly | 8. Unitized Valve Adjusting Screw Assembly; Injector position |

Figure 1-50 **Rocker Arm and Related Parts**