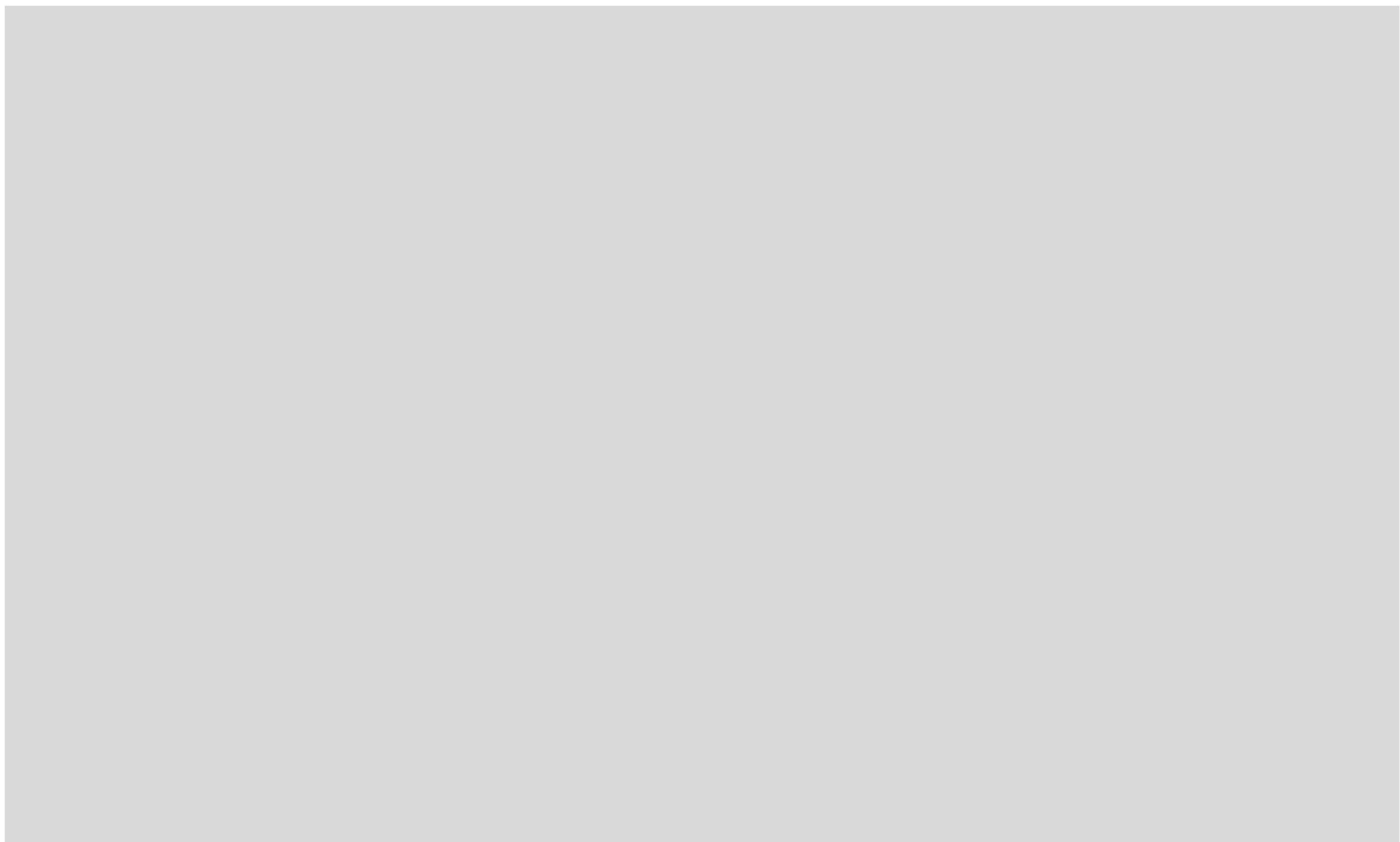


# Electrical system: Diagrams

XF105



©200542 DAF Trucks N.V., Eindhoven, The Netherlands.

In the interest of continuing product development, DAF reserves the right to change specifications or products at any time without prior notice.

No part of this publication may be reproduced and/or published by printing, by photocopying, on microfilm or in any way whatsoever without the prior consent in writing of DAF Trucks N.V.

**SUBDIAGRAMS**

**FROM ECN COMPONENT TO SUBDIAGRAM**

**FROM NUMERICAL CONNECTOR TO SUBDIAGRAM**

**0**

**1**

**2**

# Table of contents

XF105 series

1		2		3		4		5	6	7	8	9
Main group		System		Section diagram		Encoding of section diagram		Applicability	Change	Coding of additional information on section diagram	Applicability	Change
01	Power supply and earth	A	Power supply and earth	1	Voltage generation	01A-1	1644405/05					
				2	Supply voltage before ignition	01A-2	1644406/07					
				3	Supply voltage after ignition	01A-3	1644407/07					
				4	Supply voltage 12 V	01A-4	1644467/06					
				5	Earth	01A-5	1644466/07					
02	Network topology	A	CAN topology	1	Main switch	01B-1	1644408/07					
				1	V-CAN1	02A-1	1644409/07					
				2	V-CAN2	02A-2	1644410/06					
				3	I-CAN	02A-3	1644411/05					
				4	D-CAN	02A-4	1644413/03					
				5	BB-CAN	02A-5	1644414/06					
				1	K-connection topology	02B-1	1644412/05					
03	Engine system	C	DMCI	1	DMCI	03C-1	1644415/06					
04	After-treatment system	A	EAS	1	EAS	04A-1	1644416/03					
05	Braking system	A	ABS-D	1	ABS-D	05A-1	1644417/04					
				C	EBS-2	1	EBS-2	05C-1	1644418/06			
06	Retarder system	A	EST 42	1	EST 42	06A-1	1644419/05					
07	Transmission system	B	AS Tronic	1	AS Tronic	07B-1	1644421/05					
08	modular tacho	A	MTCO	1	MTCO	08A-1	1644422/06					
10	Vehicle control system	B	VIC-2	1	Lighting	10B-1	1644425/06					
				2	Direction indicators	10B-2	1644426/03					
				3	Windscreen wiper, Windscreen washer	10B-3	1644427/04					
				4	Speed signals	10B-4	1644428/06					
				5	Status signals	10B-5	1644429/05					
				6	Warning signals	10B-6	1644430/06					
				1	Bodybuilder module (BBM)	10C-1	1644431/05					
11	Spring system	A	Mechanical lifting gear	1	Mechanical lifting gear	11A-1	1644433/07					
				D	ECAS-4	1	ECAS-4	11D-1	1662358/06			
12	Steering gear system	A	EMAS	1	EMAS	12A-1	1644436/05					
13	Vehicle access system	A	Door locking, CDS-3	1	Door locking, CDS-3	13A-1	1644437/04					
14	Protective system	A	Airbag-2	1	Airbag-2	14A-1	1644438/02					
15	Cab climate system	A	Airtronic (ACH-EA)	1	Cab heater (ACH-EA)	15A-1	1644441/04					
				B	Hydronic (ACH-EW)	1	Cab heater (ACH-EW)	15B-1	1644442/05			
				D	Heater, Air conditioning, ATC	1	Heater, Air conditioning, ATC	15D-1	1644443/06		15D-1_A1	
16	Supplementary vehicle system	B	AGS	1	AGS	16B-1	1644445/05					
				C	Electrical systems	1	Horn, Seat heating, Driver's seat connector, Air dryer	16C-1	1644446/05			
						2	Cab height adjustment, 40 A connector	16C-2	1644462/05			

# Table of contents

XF105 series

1		2		3		4		5	6	7	8	9
Main group		System		Section diagram		Encoding of section diagram		Applicability	Change	Coding of additional information on section diagram	Applicability	Change
				3	Cigar lighter, Refrigerator, Roof hatch	16C-3	1644463/04					
				4	Mirror adjustment, Mirror heating	16C-4	1644464/07					
				7	Reserve wiring	16C-7	1644461/03					
				8	Tailboard preparation	16C-8	1644434/03					
<b>17</b>	<b>Security system</b>	B	ALS-S	1	ALS-S	17B-1	1644449/04					
<b>18</b>	<b>Lighting system</b>	A	Exterior lighting	1	Driving lighting system, Headlamp height adjustment	18A-1	1644450/06					
				2	Brake lights	18A-2	1644451/06					
				3	Reversing lights	18A-3	1644452/06					
				4	Rotating beacon, Spotlights	18A-4	1644453/04					
				5	Fog lights	18A-5	1644454/05					
				6	Marker lights	18A-6	1644455/06					
				7	light work	18A-7	1644456/05					
		B	Interior lighting	1	Stepwell lighting	18B-1	1644457/06					
				2	Interior lighting	18B-2	1644458/06					
				3	Visibility lighting	18B-3	1644459/07					
<b>20</b>	<b>Audio/Visual system</b>	A	radio	1	radio	20A-1	1644468/07					
<b>21</b>	<b>Communication system</b>	A	Telephone	1	Telephone	21A-1	1644444/07					
		B	FMS	1	FMS	21B-1	1644469/03					
		C	Toll Collect	1	Toll Collect	21C-1	1683391/00					

# 01A-1 Voltage generation

XF105 series

## Power supply and earth

Power supply and earth

### BASIC CODES

Basic code	Description	Location on vehicle	Location in diagram
A500	batteries 2x12V	A5d3	7G
A513	alternator	B2c2	1G
B010	motor starter	B2d2	4G
D310	ECU VIC-2	A1c1	2I
D320	ECU main switch	C4d3	7C
D878	central box	A2b1	12A
D965	ECU DMCI	B3c2	3I
E279	fuse alternator	B3c2	2D
E286	fuse power supply	B3c2	7A
E391	fuse alternator	C3c2	1A
E392	fuse pre-heating (grid)	B3c2	3A
E394	fuse power fuse box 3-fold	B3c2	1B
G015	relay contact	A1b2	10G
G468	relay start interrupt	-	3E
G525	earth flywheelhouse	B4d2	7K
G736	central power cab	A1c1	10C
G763	power distributor cab	B3c2	11E 10J
H019	connector relay taillift	A7d3	2E
R001	relay main switch earth	A1b2	6J

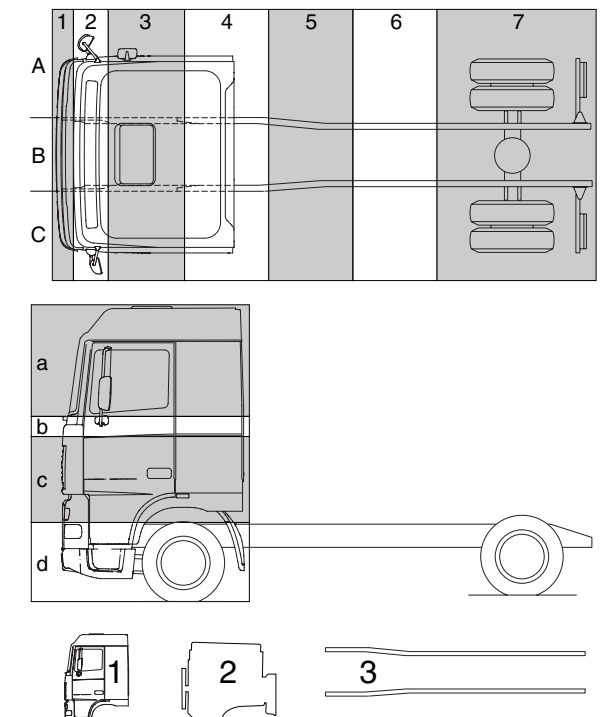
### VARIANTS

Location in diagram	Description
6J	If vehicle with sleeper cab

### CONNECTORS

Connector number	Colour	Pins	Location on vehicle	Location in diagram
12C	GN	21	A1c1	4F 2H
167C	GN	6	A1c1	3E

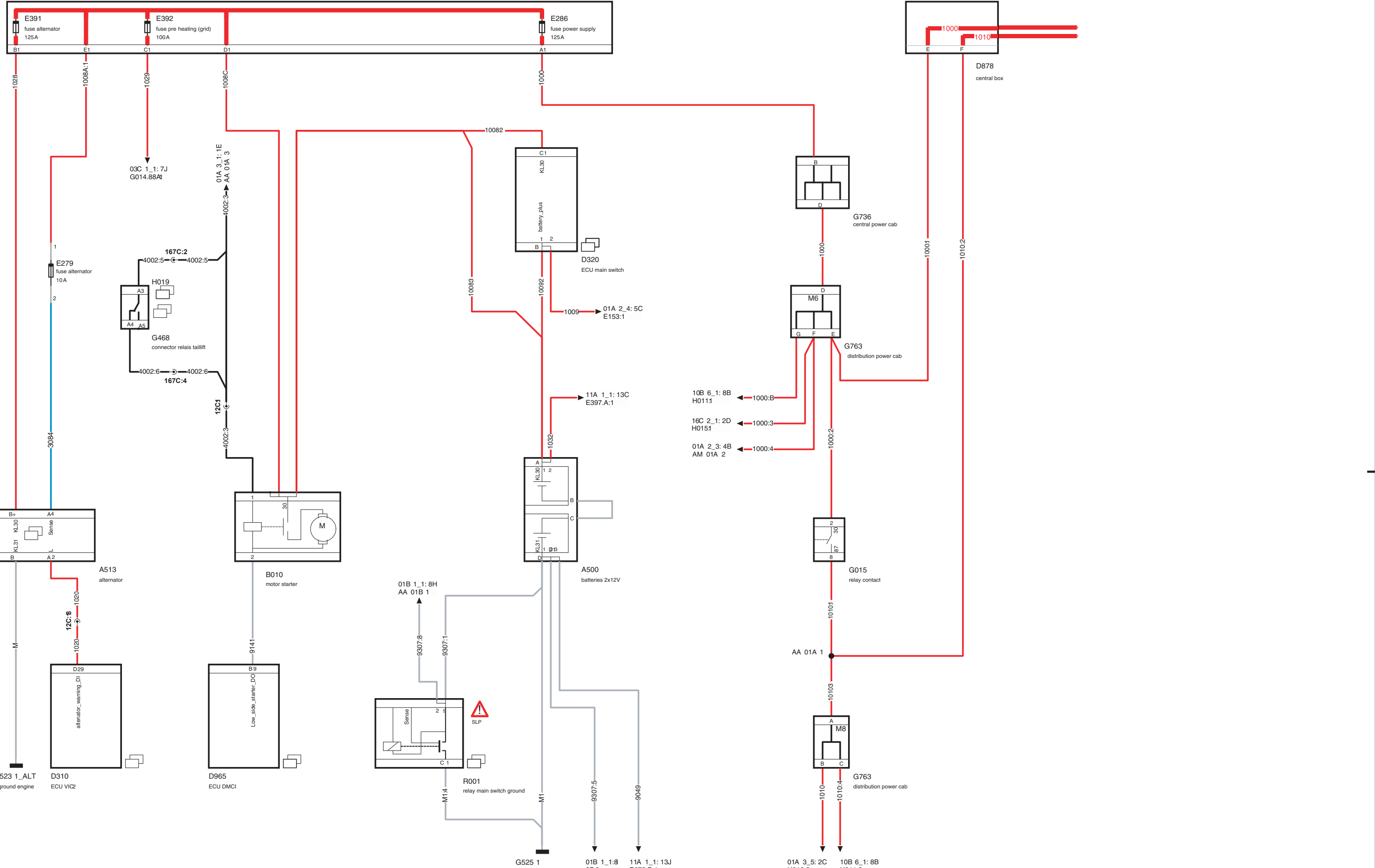
0



E502302

E394

fuse power fuse box 3 fold



Power supply and ground			
Power generation			
sheet	scale	sheet	
A1	1:1	1:1	
<small>This drawing is the property of DAF Trucks N.V. (Daafab). The hardware and the way it is used is subject to a patent without the prior written consent of the client.</small>			
		<small>Drawing / Issue number</small> 1644405 / 05	
<small>CAD: Sabbar</small>		<small>Service number</small> 01A-1	

# 01A-2 Supply voltage before ignition

XF105 series

## Power supply and earth

Power supply and earth

### BASIC CODES

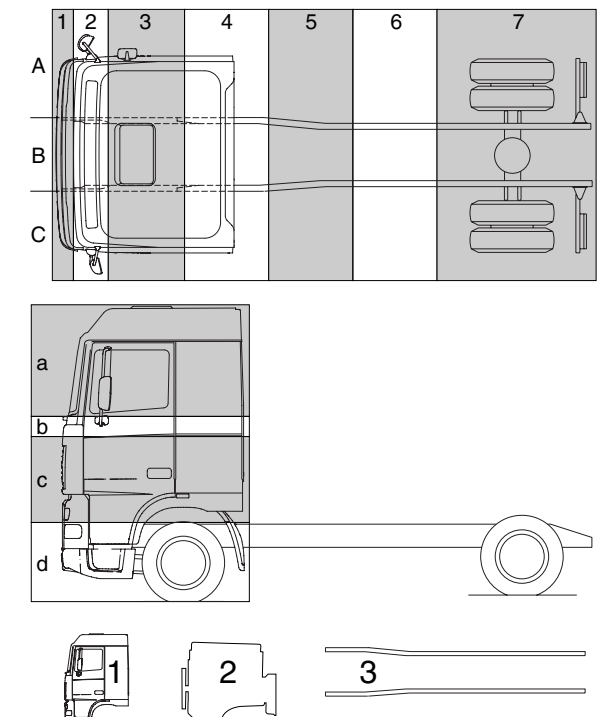
Basic code	Description	Location on vehicle	Location in diagram
A100	connector HD-OBD diagnosis	A1c1	1I
B199	motor central door locking driver	C3c1	5I
B200	motor central door locking co-driver	A3c1	2I
D318	ECU toll collect	A2c1	6H
D871	ECU ACH-EA	A3c1	11I
D878	central box	A1c1	4A 8A
D905	ECU CDS	C1a1	4I
D979	ECU ACH-EW	B4c1	8I
E084	fuse lighting	A1c1	4A
E114	fuse cab heater	A1c1	8A
E580	timer aux. heater	C4b1	9I
E581	timer aux. heater	C4b1	12I

### VARIANTS

Location in diagram	Description
9I 12I	If vehicle is equipped with ACH-EA in combination with a timer
8I 11I	If vehicle is equipped with a main switch according to ADR requirements

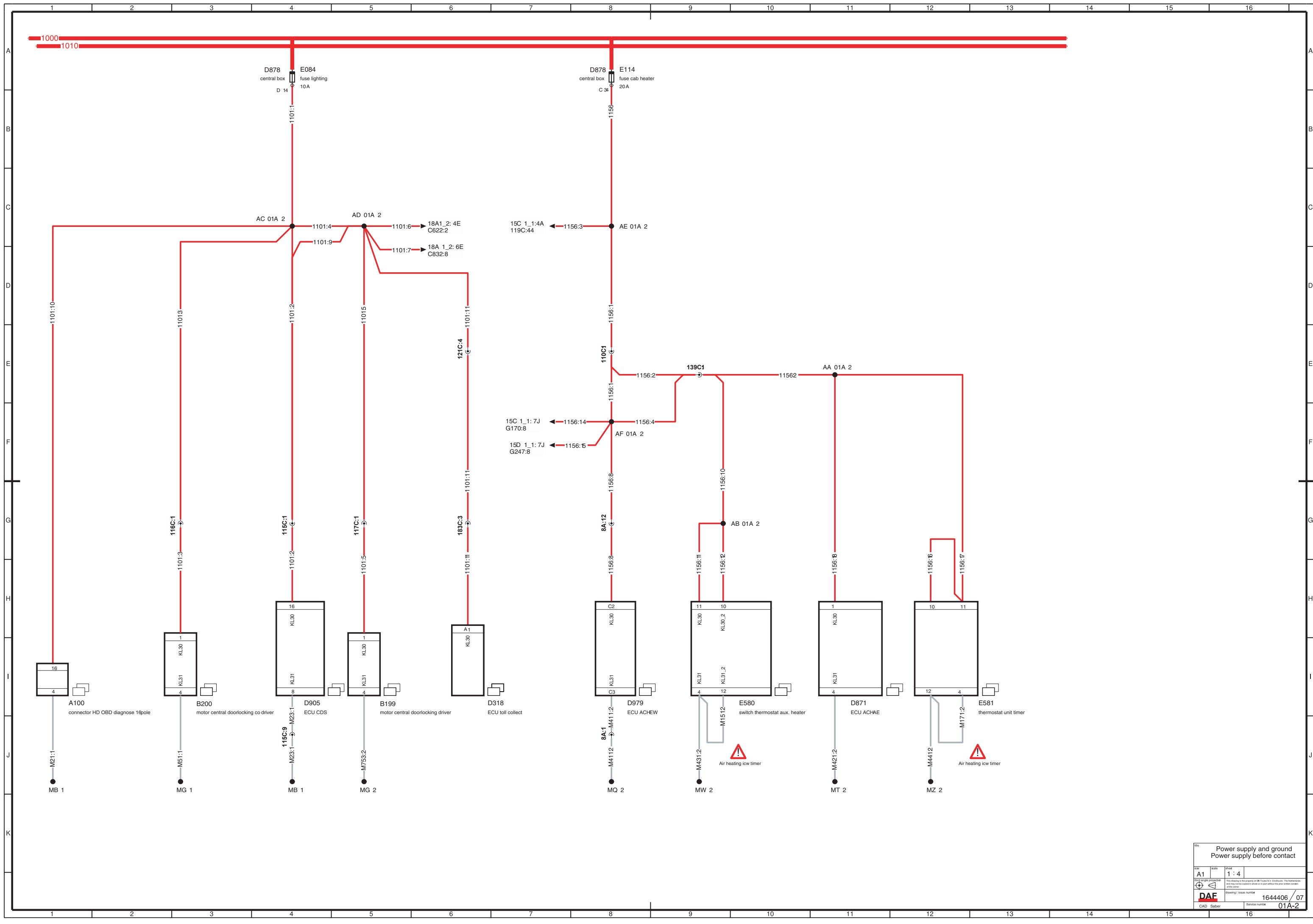
### CONNECTORS

Connector number	Colour	Pins	Location on vehicle	Location in diagram
110C	GY	12	A1c1	8E
115C	GY	9	A1c1	4G 4J
116C	BK	16	A1c1	3G
117C	BK	16	A1c1	5G
121C	YE	9	C1c1	6E
139C	BU	9	A1c1	9E
183C	GN	12	C1a1	6G
8A	YE	12	A1c1	8G 8J



E502302





Title		Power supply and ground	
Description		Power supply before contact	
Rev	Scale	Sheet	Total
A1	1:4	1	4
<small>DAF Engineering</small> The drawings are property of DAF Trucks B.V. (Dutchman). The trademarks and any other marks registered in whole or in part without the prior written consent of the owner.			
Drawing / Issue number		1644406 / 07	
CAD / Submitter		Service number	
		01A-2	

# 01A-2 Supply voltage before ignition

XF105 series

## Power supply and earth

Power supply and earth

### BASIC CODES

Basic code	Description	Location on vehicle	Location in diagram
A001	connector trailer accessories 7-pole	B4c1	2H
A058	connector trailer 15-pole	B4c1	3H
A070	connector application superstructure 8-pole	-	1H
A095	connector application garbage truck	-	4G
A097	connector FMS 21-pole	A1c1	11H
A098	connector FMS 18-pole	A2b1	12H
A102	connector bodybuilder 8-pole	A4c1	7H
A105	Connector bodybuilder open CAN 7-pole	A4c1	9H
A106	Connector CAN cab 9-pole	A1c1	6G
D878	central box	A1c1	1A
E048	fuse power trailer	A1b1	1A
E142	fuse acc before contact	A1b1	8B
H010	fuse holder	A1b1	8B

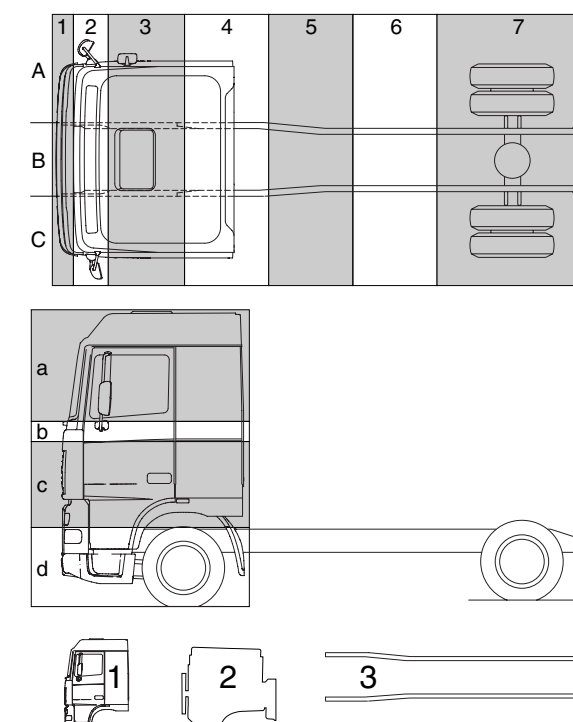
### VARIANTS

Location in diagram	Description
4G	If garbage truck version (lead-through connector 56A)
1H	If FA-type vehicle

### CONNECTORS

Connector number	Colour	Pins	Location on vehicle	Location in diagram
108C	GY	21	C1c1	9C
110F	BK	39	B7d3	2F
113C	YE	9	A1c1	9C
120C	VT	21	A1c1	6D
120F	BK	8	A4d3	1F
12D	BU	21	A1c1	8E 7I 8I
150C	GY	21	A1c1	8C 7J 8J
157C	GY	9	C1c1	9B
158C	BK	2	A3d1	11C
159C	BK	2	C3d1	11B
171C	GY	12	-	2B
56A	YE	21	A1c1	1B

0



E502302