

# SECTION 9A

## BODY WIRING SYSTEM

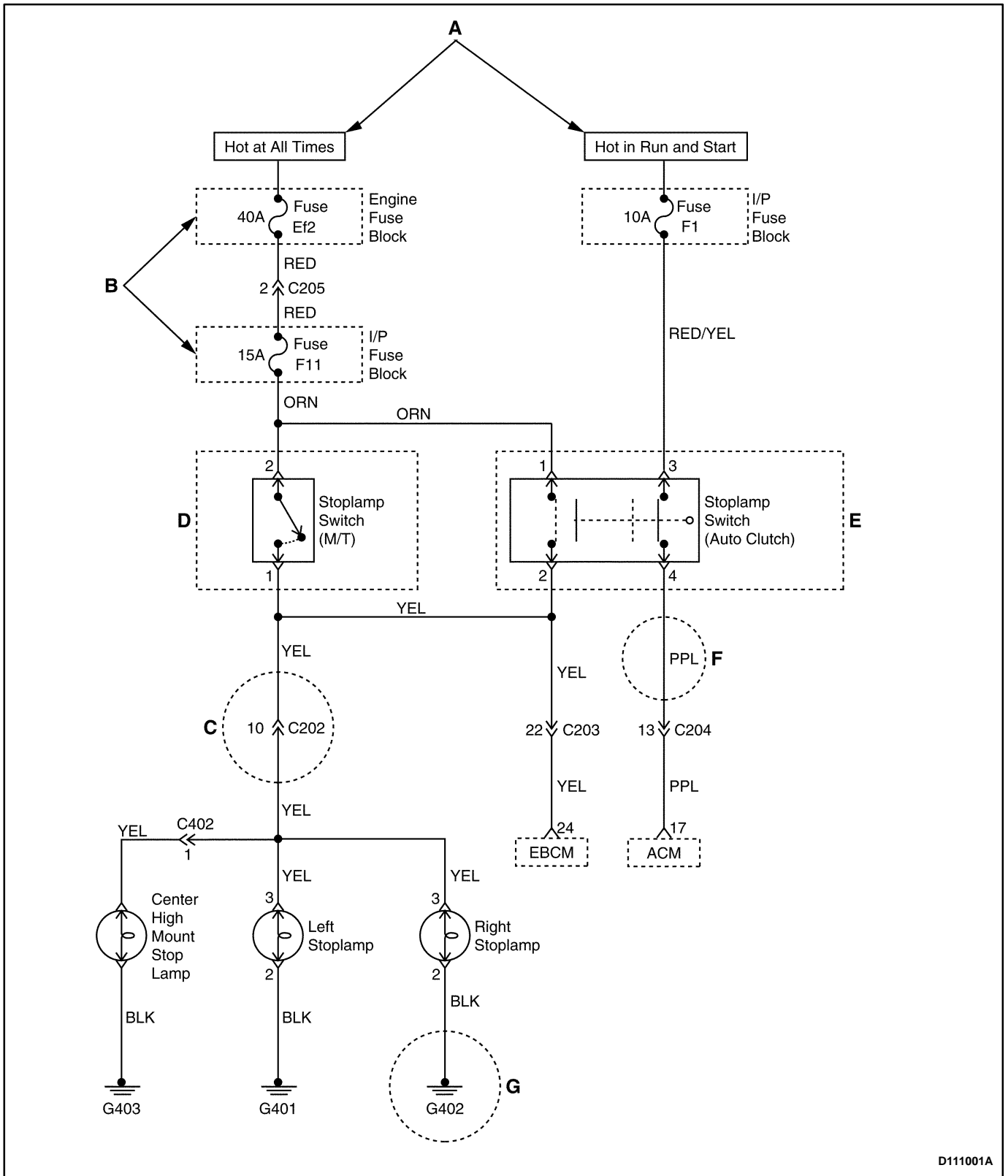
**CAUTION:** *Disconnect the negative battery cable before removing or installing any electrical unit or when a tool or equipment could easily come in contact with exposed electrical terminals. Disconnecting this cable will help prevent personal injury and damage to the vehicle. The ignition must also be in B unless otherwise noted.*

### TABLE OF CONTENTS

<b>Description and Operation</b> .....	<b>9A-2</b>	Fuse Chart .....	9A-10
How to Read Electrical Wiring Diagram .....	9A-2	Front Harness Routing .....	9A-11
How to Check Terminal Number of Connector .	9A-4	Engine Harness Routing .....	9A-12
<b>Special Tools and Equipment</b> .....	<b>9A-5</b>	Instrument Harness Routing .....	9A-14
Special Tools Table .....	9A-5	Airbag Harness Routing .....	9A-16
<b>Schematic and Routing Diagrams</b> .....	<b>9A-6</b>	Body Harness Routing .....	9A-17
Wire Color Chart .....	9A-6	Front Door Harness Routing .....	9A-19
Power Distribution Schematic .....	9A-7	Rear Door Harness Routing .....	9A-20
Relay & Fuse Box Locator (Engine Room) ....	9A-8	Tailgate Harness Routing .....	9A-21
Fuse Box Locator (Passenger Compartment) .....	9A-9		

# DESCRIPTION AND OPERATION

## HOW TO READ ELECTRICAL WIRING DIAGRAM



D111001A