

# PARTS CATALOG

# *BS106*

VIN	SERIES	REMARKS	
KL5UM52PEAU004963 ~ KL5UM52PEAU004965	A	<b>PASSENGER CAPACITY : 20+1</b> ENGINE : DL08 TRANSMISSION : K1205D FINAL GEAR RATIO : 39/10 ABS & ASR ENT DOOR : FRONT FOLDING DOOR MIDDLE SLIDING DOOR	
KL5UM52PEAU005046 ~ KL5UM52PEAU005052	B		
KL5UM52PEBU005123 ~ KL5UM52PEBU005127 KL5UM52PEBU005130 ~ KL5UM52PEBU005131	C		
KL5UM52PEBU005370 ~ KL5UM52PEBU005378 KL5UM52PEBU005415 ~ KL5UM52PEBU005419 KL5UM52PEBU005576 ~ KL5UM52PEBU005584	D		
KL5UM52PEBU006168 ~ KL5UM52PEBU006181	E		
KL5UM52PEBU006224 ~ KL5UM52PEBU006243	F		
KL5UM52PEBU006263 ~ KL5UM52PEBU006272 KL5UM52PEBU006307 ~ KL5UM52PEBU006311	G		
KL5UM52PECU006354 ~ KL5UM52PECU006453 KL5UM52PECU006551	H		
KL5UM52PEBU005132	I		<b>PASSENGER CAPACITY : 31+1</b> ENGINE : DL08 TRANSMISSION : K1205D FINAL GEAR RATIO : 39/10 ABS & ASR ENT DOOR : FRONT FOLDING DOOR MIDDLE SLIDING DOOR <b>ROOF ON COOLER</b>

DAEWOO BUS CORP. reserves the right to make changes for product improvement at any time without notice in data, specification, materials and model.

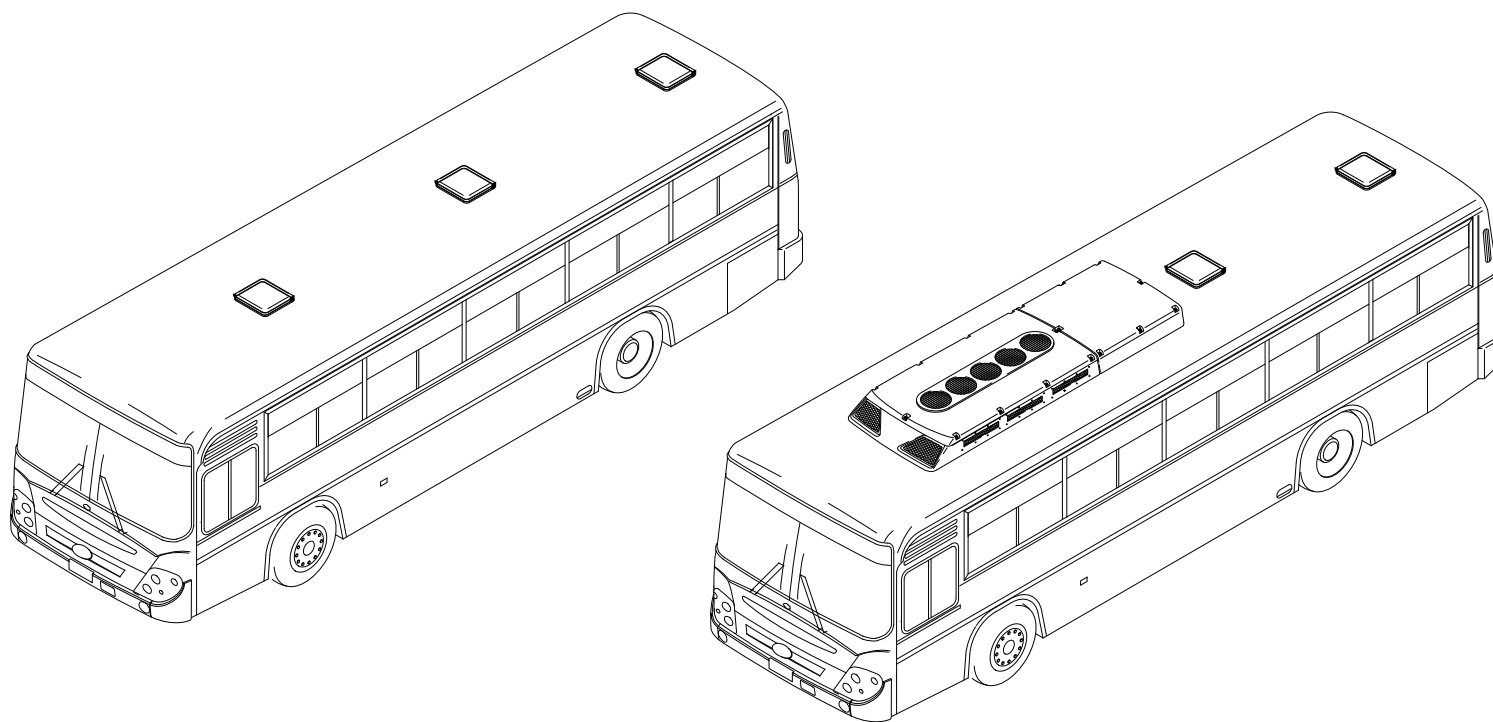
When such changes occur, relevant information will be distributed in the form of the parts bulletin.

OCT. 2011 YEAR

**DAEWOO BUS CORP.**  
**TECHNICAL CENTER**

■ GENERAL VIEW

*BS106*



## ■ GENUINE PARTS GUIDE

DAEWOO BUS genuine parts are available at the company-run maintenance center and every authorized parts shop.

For the best performance and the guaranteed safety, it is recommended to use DAEWOO BUS genuine parts for replacement bearing the signs shown below.



# CONTENTS

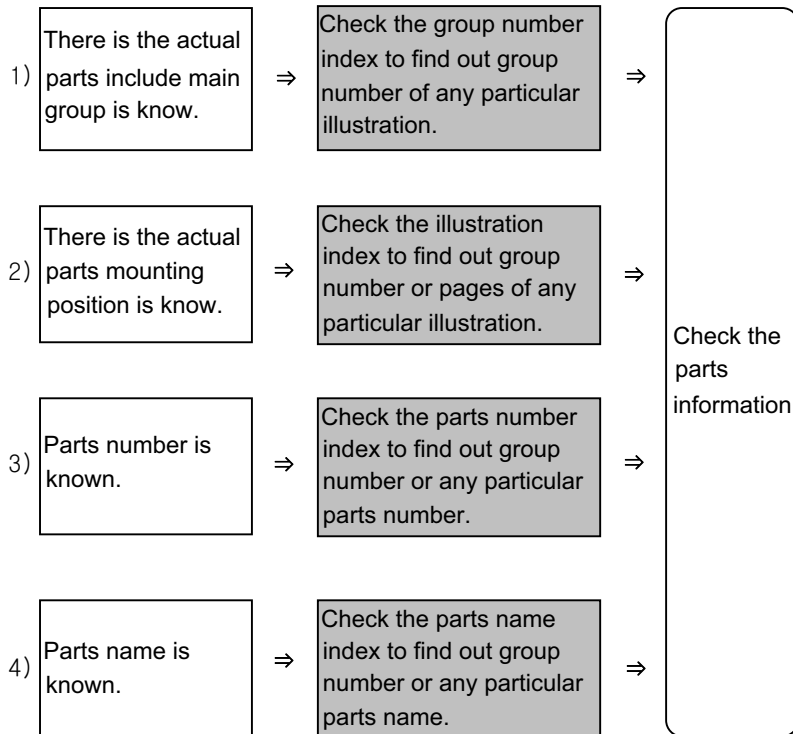
	INTRODUCTION	
	INDEX	
1	ENGINE	
2	ENGINE SUB GROUP	
3	POWER TRAIN	
4	CHASSIS	
5	ELECTRIC	
6	BODY / EXTERIOR	
7	INTERIOR	
8	HEATER / COOLER	
9	TOOL / MATERIAL	
	APPENDIX	

This page left intentionally blank.



## ■ HOW TO USE THIS CATALOG

For rapid finding of parts information, this parts catalog is provided with main group, illustrations, parts number, parts name index, utilize these fully.



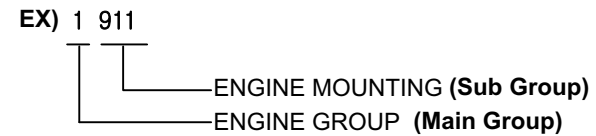
## ■ CATALOG COMPOSITION

Fig. 1911 ENGINE MOUNTING

I T C	[Key No.]	SERIES A B C D E F G H I	L R	Q T Y	PART NAME	Fig. 1911
	PART NO.					AS
	REMARKS					
EXCLUSIVE —⑩						
③	[ 01 ]	XXXX XXXXX	B	2	CUSHION RUBBER-ENG MT,FRT	⑤
④	[ 02 ]	XXXX XXXXX	B	2	BRACKET-ENGINE MOUNTING,FRT	
	[ 03 ]	XXXX XXXXX	B	2	CUSHION RUBBER-ENG MT,RR	

### ① GROUP NO.

The first one digit indicates "MAIN GROUP NO." and next three digits indicates "SUB GROUP NO."



### ② SUB GROUP NAME

This indicates the name of sub group within the main group.

**③ KEY NUMBER**

Key number correspond with the reference number on the illustration.  
Key number are not always sequence.

**④ PART NUMBER**

The number assigned to each parts. The parts number in parenthesis are suppliers number, identical to just above parts number.  
These number will be used for easy identification of suppliers.  
The parts marked with "N.P.N" in parts number column are not supplied independently.

**⑤ PART NAME**

Parts names are shown in English.

**⑥ ITC(INTERCHANGEABILITY)**

When any parts number has been changed due to a design modification this indicates whether or not there is an interchangeability between the part prior to the change and the parts after the change.

※ Interchangeability symbols.

- Y : The old and new parts mutually interchangeable.
- N : The old and new parts are not mutually interchangeable.
- O : The new parts can be used for the old parts but the reverse is not possible.

**⑦ SERIES**

This column indicates the expression of applicable body series.

※ Symbol of application

χ : Applied

- : Not applied

SERIES	A, B, C, D, E, F, G, H	I
COOLER	-	ROOF ON
ENGINE	DL08	
TRANSMISSION	K1205D	
BRAKE SYSTEM	FULL AIR BRAKE (ABS & ASR)	
SUSPENSION	LEAF SPRING	
ENT DOOR	FRT FOLDING & MID SLIDING	
REMARKS		

**⑧ L/R**

This column indicates mounting position of parts.

- L : Left hand side
- R : Right hand side
- B : Both side

**⑨ Q'TY**

This column indicates the quantity required per sub group.  
The quantity are normally shown by numeric or also by symbol as follows.

- AR : As required quantity
- MT : As required meters

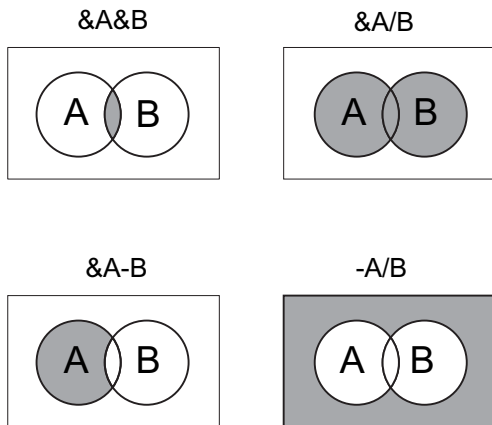


**⑩ EXCLUSIVE**

This column helps for user to look of option, spec., description which can be applied.

※ Symbol of option combination

&: TOGETHER WITH	-: EXCEPT	/: AND/OR
------------------	-----------	-----------



**⑪ REMARK**

This column is used for detail explanation of specific type or any further information.

**⑫ SERVICE PARTS**

The part concerned by an "N" is not stocked a line item at DWBC. parts division. And then the parts superseded the repair kit or assembly.

# ***GROUP NO. INDEX***

## **1 ENGINE**

- 1110 ENGINE COMPLETE
- 1130 BELT DRIVE
- 1750 ALTERNATOR MOUNTING
- 1911 ENGINE MOUNTING

## **2 ENGINE SUB GROUP**

- 2110 FUEL TANK(I)
- 2111 FUEL TANK(II-AUXILIARY TANK)
- 2115 FUEL PIPING
- 2212 ACCEL CONTROL

- 2431 AIR CLEANER
- 2451 EXHAUST PIPE
- 2612 RADIATOR
- 2616 RADIATOR MOUNTING
- 2620 FAN DRIVE MECHANISM
- 2625 FAN DRIVE
- 2635 COOLER COMPRESSOR
- 2641 INTERCOOLER

## **3 POWER TRAIN**

- 3110 CLUTCH
- 3120 CLUTCH PIPING
- 3131 CLUTCH CONTROL
- 3152 MINPACK
- 3210 TRANSMISSION COMPLETE
- 3220 CLUTCH RELEASE DEVICE(DYMOS)
- 3231 TRANSMISSION CASE(K1205D)
- 3241 TRANSMISSION GEAR(K1205D)
- 3251 GEAR SHIFT CONTROL(K1205D)

3610 PROPELLER SHAFT (KASCO)  
3710 REAR AXLE CASE  
3750 FINAL DRIVE(DYMOS)  
3810 FRONT AXLE  
3910 CHANGE LEVER  
3921 TRANSMISSION CONTROL

## 4

### CHASSIS

4102 FRONT FRAME  
4122 MIDDLE FRAME  
4132 REAR FRAME  
4151 TOWING COUPLING  
4160 SPARE TIPE HANGER  
4170 PEDAL BOARD  
4210 SHOCK ABSORBER  
4220 FRONT SUSPENSION  
4240 REAR SUSPENSION  
4250 REAR STABILIZER  
4261 FRONT LEAF SPRING  
4271 REAR LEAF SPRING  
4411 STEERING WHEEL & SHAFT  
4420 STEERING LINKAGE

4440 POWER STEERING OIL TANK  
4450 POWER STEERING PIPING  
4557 BRAKE VALVE(TAE SUNG)  
4610 FRONT WHEEL BRAKE  
4630 REAR WHEEL BRAKE  
4651 ANTILOCK BRAKE SYSTEM  
4660 BRAKE PIPING  
4720 AIR TANK  
4751 AIR PIPING  
4770 AIR TUBE

## 5

### ELECTRIC

5111 FRONT LAMP  
5120 REAR LAMP  
5130 SIDE & ROOM LAMP  
5170 DESTINATION PLATE  
5220 METER BOARD  
5222 INSTRUMENT SWITCH  
5310 WIPER  
5410 SWITCH (I)  
5415 SWITCH (II)  
5420 ANTENNA & SPEAKER

5430 STEREO PACKAGE  
5610 BATTERY  
5621 BATTERY MOUNTING  
5630 RELAY & FUSE(FRONT)  
5640 REAR FUSE BOX  
5710 WIRING HARNESS(I)  
5711 WIRING HARNESS(II)  
5712 WIRING HARNESS(III)  
5720 WIRING COVER

## 6

### BODY / EXTERIOR

6102 FRONT BODY  
6106 REAR BODY  
6110 FRONT PANEL  
6121 REAR OUTER PANEL  
6131 REAR INNER PANEL  
6142 SIDE PANEL-RH(MID DOOR)  
6152 SIDE PANEL-LH  
6210 FRONT GLASS  
6220 REAR GLASS  
6230 DRIVER GLASS  
6245 SIDE GLASS-LARGE HALF OPEN (MID DOOR)

6315 FIXED FRAME-HALF OPEN (MID DOOR)  
 6323 GLASS MOULDING (MID DOOR)  
 6411 FRONT ENTRANCE DOOR-FOLDING  
 6412 MIDDLE ENTRANCE DOOR-SLIDING  
 6432 SLIDING DOOR MECHANISM (MIDDLE DOOR)  
 6450 FOLDING DOOR PIPING (FRONT DOOR)  
 6460 ENTRANCE STEP-FRONT FOLDING  
 6463 ENTRANCE STEP-MIDDLE SLIDING  
 6470 SIDE DOOR-STEEL  
 6491 REAR ENGINE DOOR  
 6494 INSPECTION DOOR LOCK  
 6610 OUTSIDE MOULDING  
 6632 OUTSIDE MIRROR  
 6650 LETTERING & EMBLEM  
 6660 ROAD WHEEL  
 6711 FRONT BUMPER  
 6721 REAR BUMPER  
 6750 MUDGUARD  
 6810 FRONT PILLAR  
 6820 REAR PILLAR  
 6838 SIDE PILLAR-RH (MID SLIDING)

6850 SIDE PILLAR-LH

## 7 INTERIOR

7130 FRONT COMPARTMENT  
 7140 SWITCH BOX PANEL  
 7165 SUNSHADE  
 7170 INSIDE MIRROR  
 7313 SIDE INTERIOR PANEL-RH (MID DOOR)  
 7314 SIDE INTERIOR PANEL-LH  
 7320 ROOF INTERIOR PANEL  
 7335 INSIDE MOULDING  
 7340 CURTAIN RAIL (I)  
 7341 CURTAIN RAIL (II)  
 7425 FOOTREST  
 7510 DRIVER SEAT  
 7524 PASSENGER SEAT (I)  
 7525 PASSENGER SEAT (II)  
 7610 HATCH  
 7620 SEAT RAIL  
 7720 CEILING HANDLE (I)  
 7721 CEILING HANDLE (II)  
 7722 SIDE CEILING HANDLE

7731 DRIVER BARRIER(I-RR PANEL&HANDLE) (I)  
 7732 DRIVER BARRIER(I-RR PANEL&HANDLE) (II)  
 7736 DRIVER BARRIER(II-DOOR)  
 7737 DRIVER BARRIER(III-SIDE PANEL)  
 7740 MID ENT SEPARATOR(I-FRONT) (I)  
 7741 MID ENT SEPARATOR(I-FRONT) (II)  
 7745 MID ENT SEPARATOR(II-MIDDLE)  
 7747 MID ENT SEPARATOR(III-REAR)  
 7750 SEPARATOR  
 7751 ENTRANCE SEPARATOR  
 7760 POLE A (I)  
 7761 POLE A (II)  
 7770 FIRE EXTINGUISHER & EMERGENCY HAMMER

## 8 HEATER / COOLER

8110 WATER HEATER  
 8120 DEFROSTER  
 8135 PREHEATER  
 8137 PREHEATER PIPING  
 8140 COOLER ASSEMBLY  
 8410 CONTROL PANEL  
 8510 GRILLE

8620 VENTILATOR

**9**

**TOOL / MATERIAL**

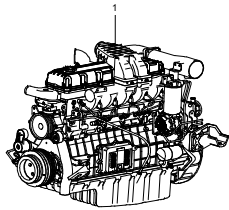
9110 TOOL

9120 OIL & GREASE

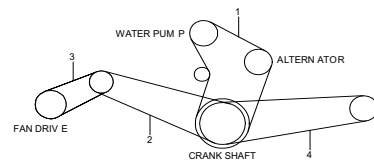
# ILLUSTRATION INDEX

## 1. ENGINE

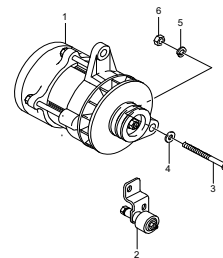
1110  
ENGINE COMPLETE



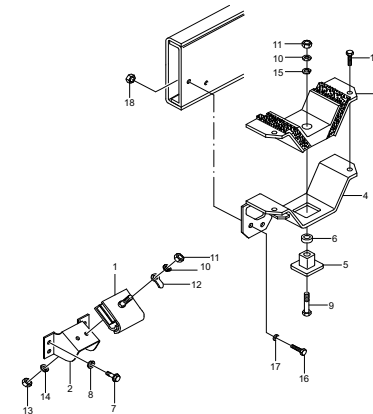
1130  
BELT DRIVE



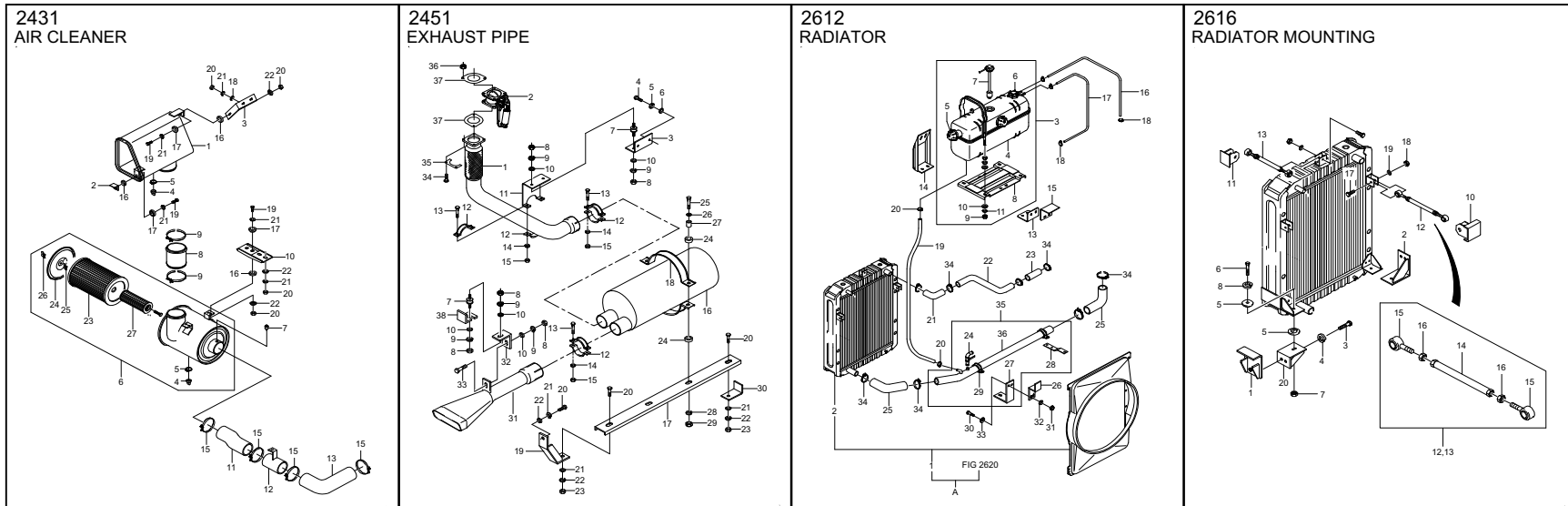
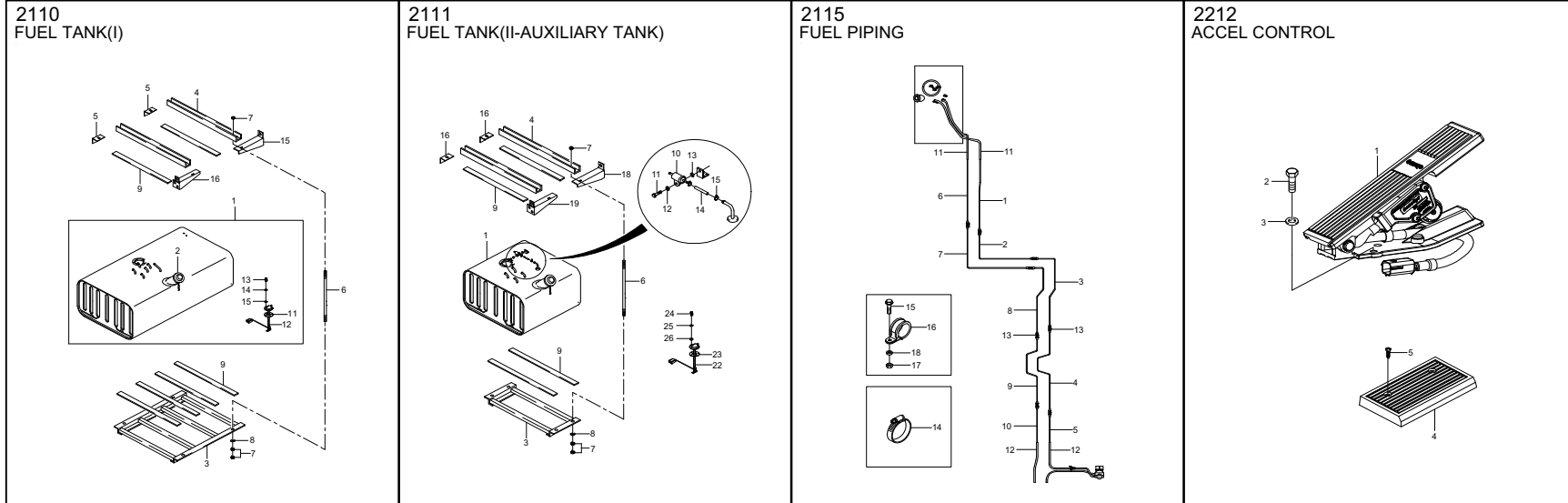
1750  
ALTERNATOR MOUNTING



1911  
ENGINE MOUNTING

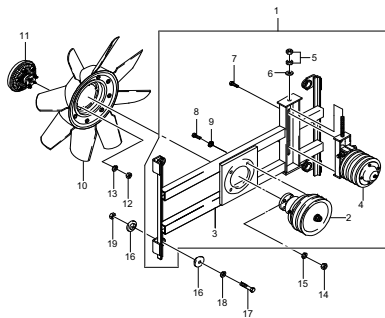


## 2. ENGINE SUB GROUP

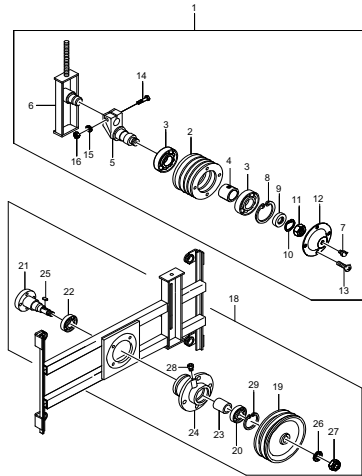


## 2. ENGINE SUB GROUP

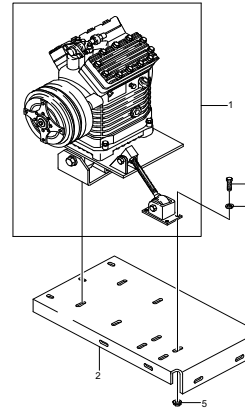
2620  
FAN DRIVE MECHANISM



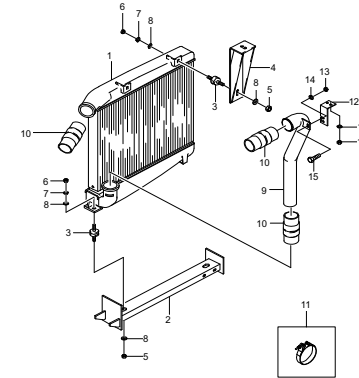
2625  
FAN DRIVE



2635  
COOLER COMPRESSOR

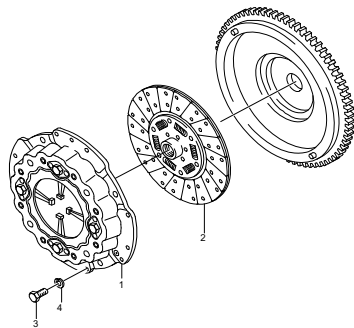


2641  
INTERCOOLER

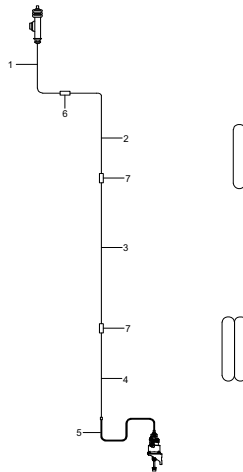


## 3. POWER TRAIN

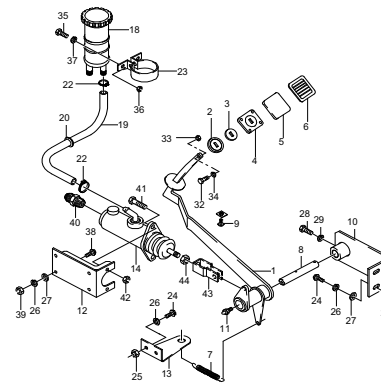
3110  
CLUTCH



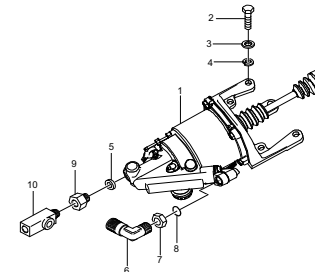
3120  
CLUTCH PIPING



3131  
CLUTCH CONTROL



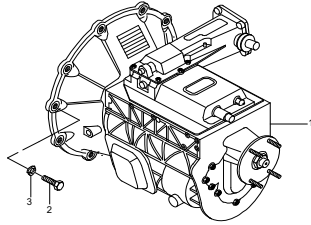
3152  
MINPACK



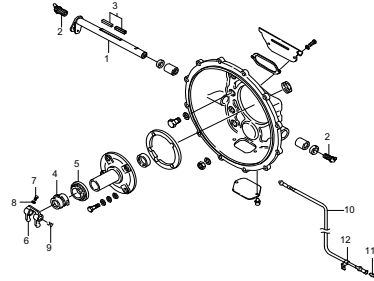


### 3. POWER TRAIN

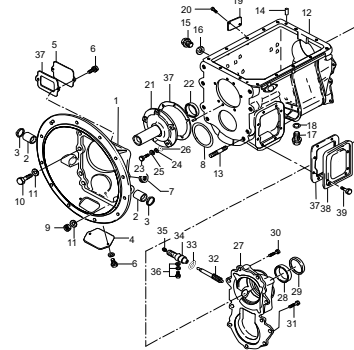
**3210**  
TRANSMISSION COMPLETE



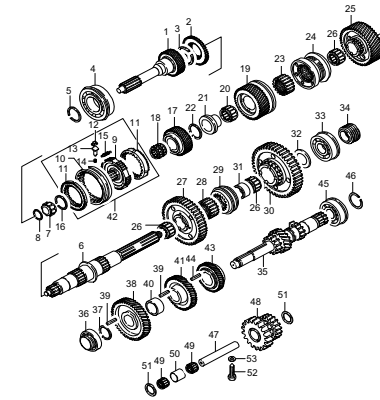
**3220**  
CLUTCH RELEASE DEVICE(DYMOs)



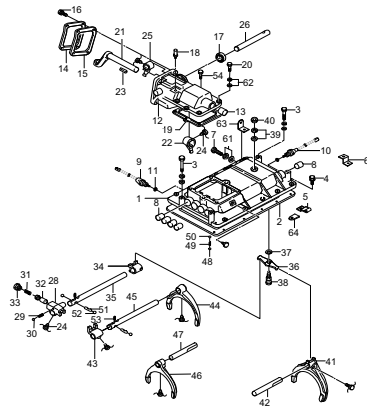
**3231**  
TRANSMISSION CASE(K1205D)



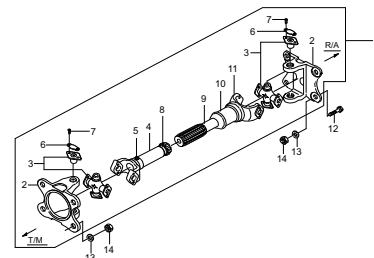
**3241**  
TRANSMISSION GEAR(K1205D)



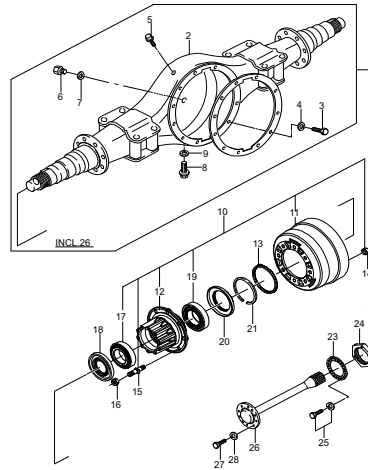
**3251**  
GEAR SHIFT CONTROL(K1205D)



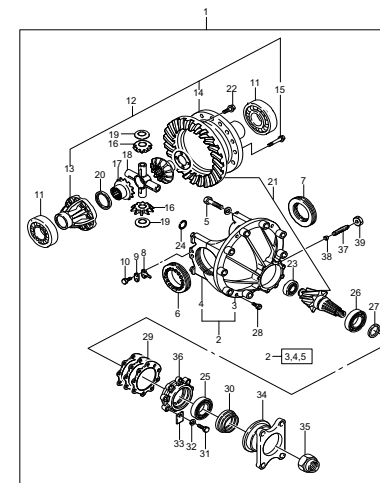
**3610**  
PROPELLER SHAFT (KASCO)



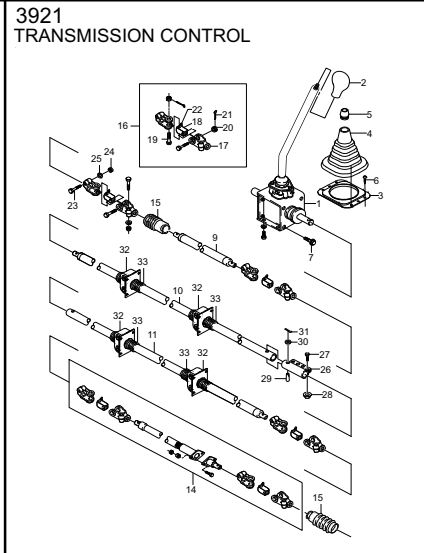
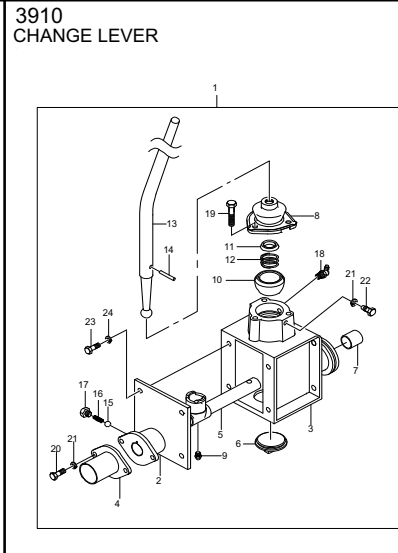
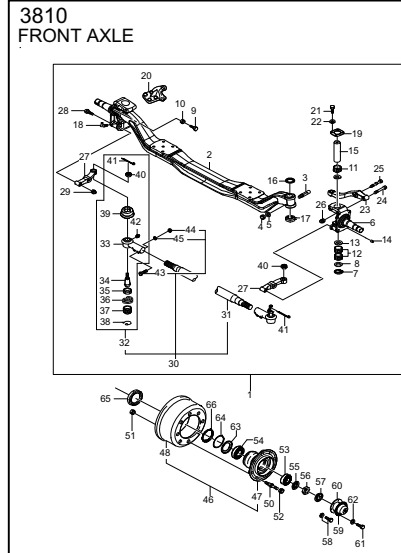
**3710**  
REAR AXLE CASE



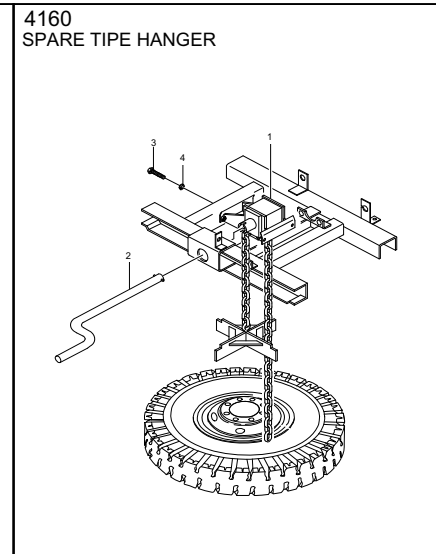
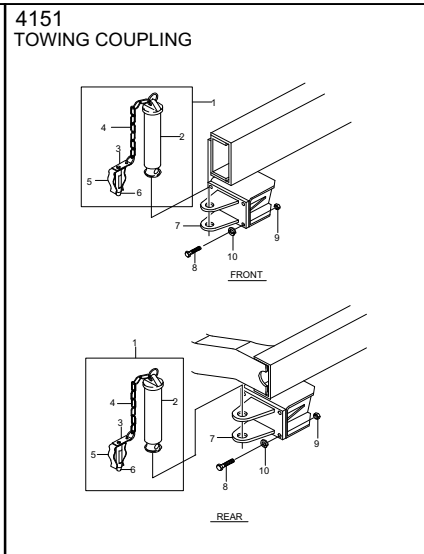
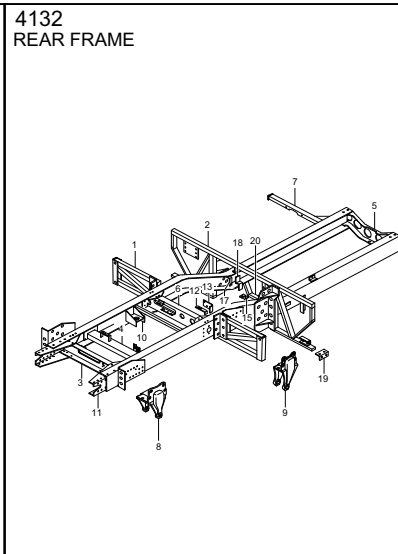
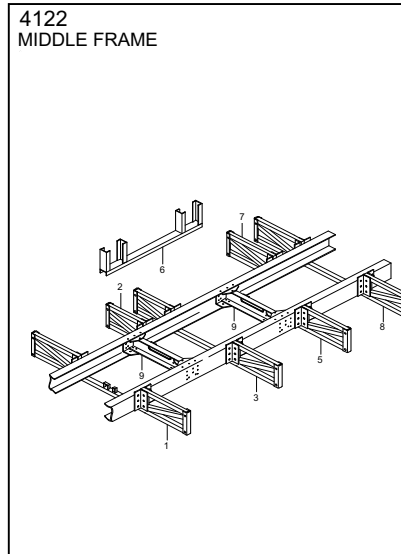
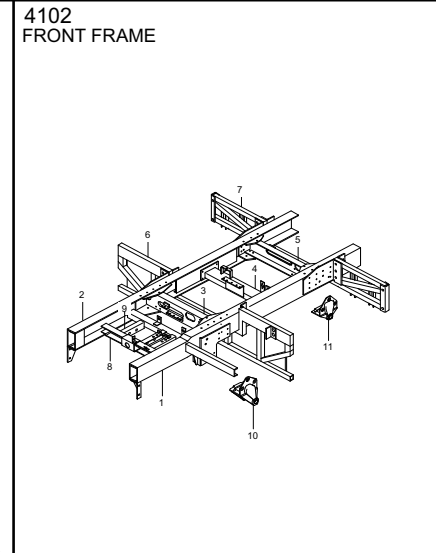
**3750**  
FINAL DRIVE(DYMOs)



### 3. POWER TRAIN

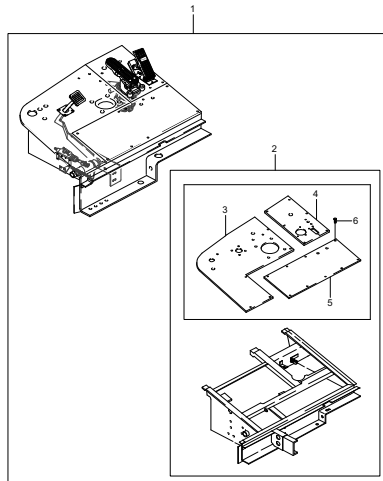


### 4. CHASSIS

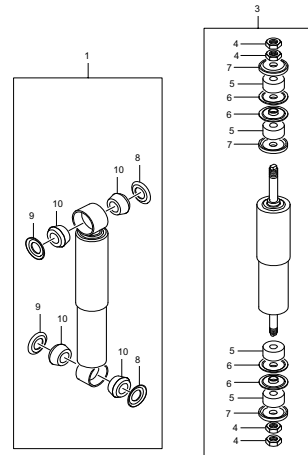


## 4. CHASSIS

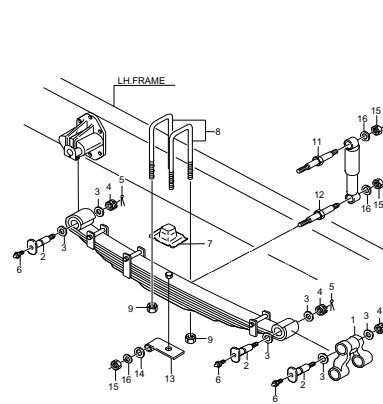
4170  
PEDAL BOARD



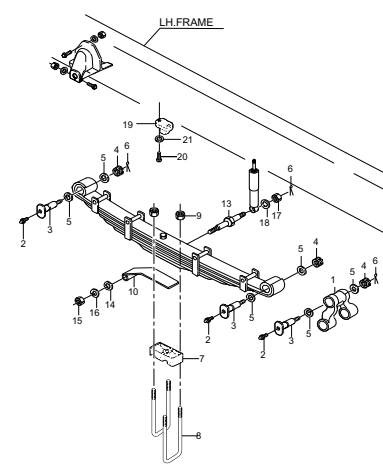
4210  
SHOCK ABSORBER



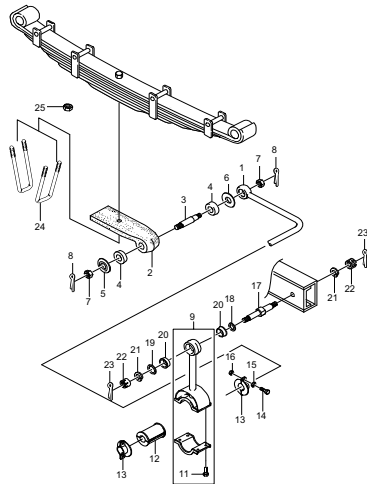
4220  
FRONT SUSPENSION



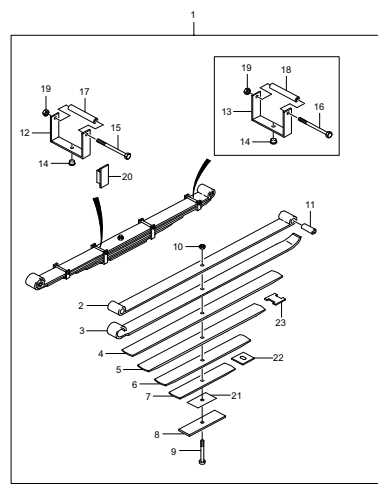
4240  
REAR SUSPENSION



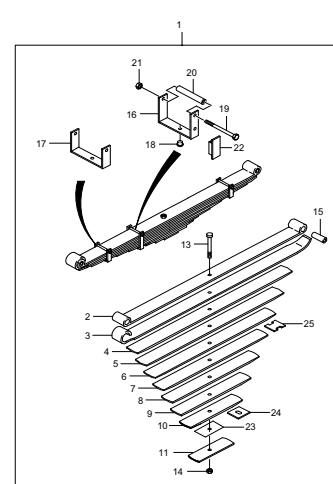
4250  
REAR STABILIZER



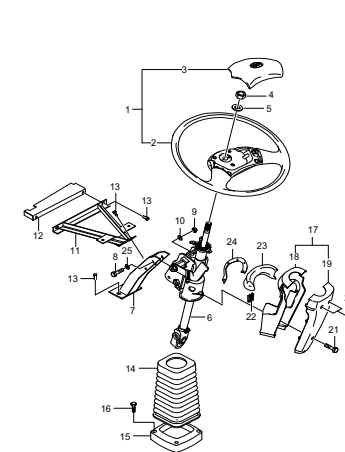
4261  
FRONT LEAF SPRING



4271  
REAR LEAF SPRING



4411  
STEERING WHEEL & SHAFT



4. CHASSIS

