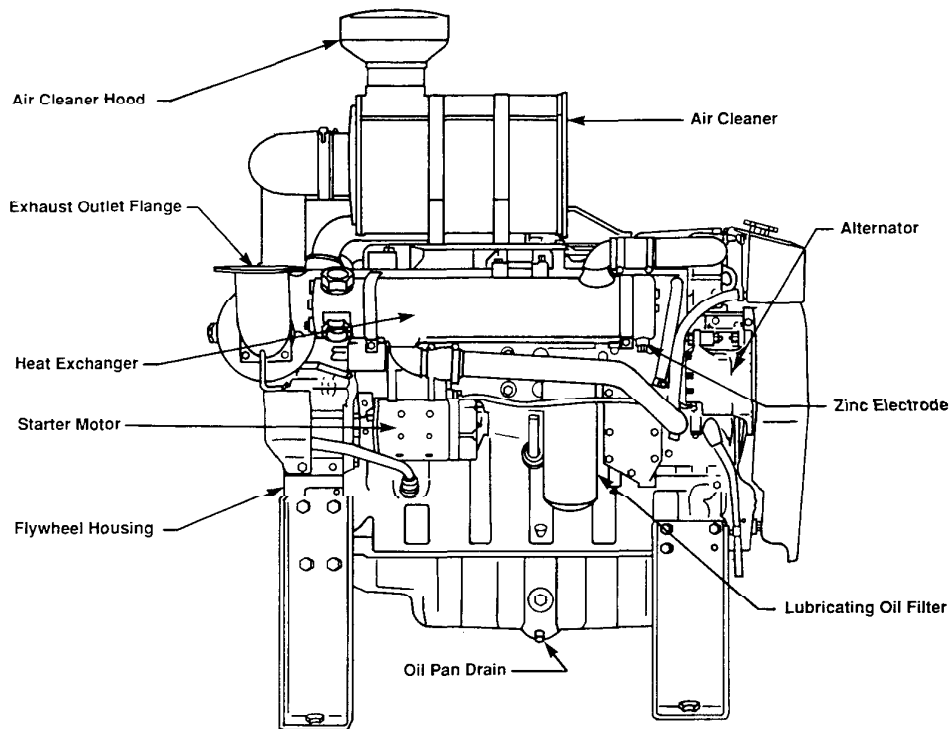
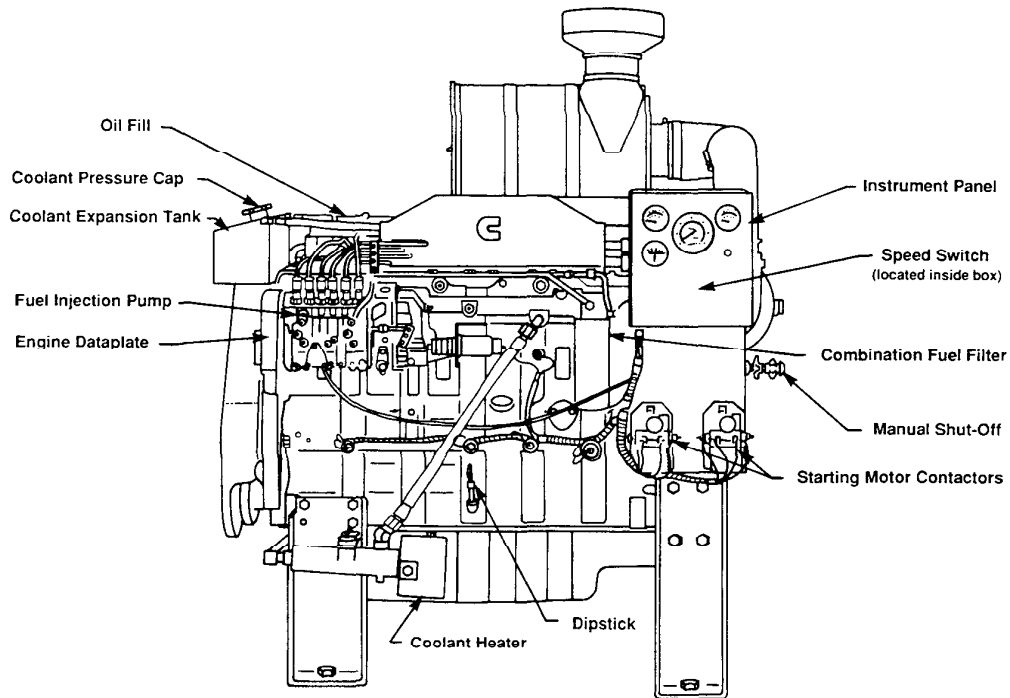


Cummins Parts Catalog

6CTA8.3 F1, F2, F3

The illustrations which follow show the locations of the major external engine components, the filters, and other service and maintenance points.

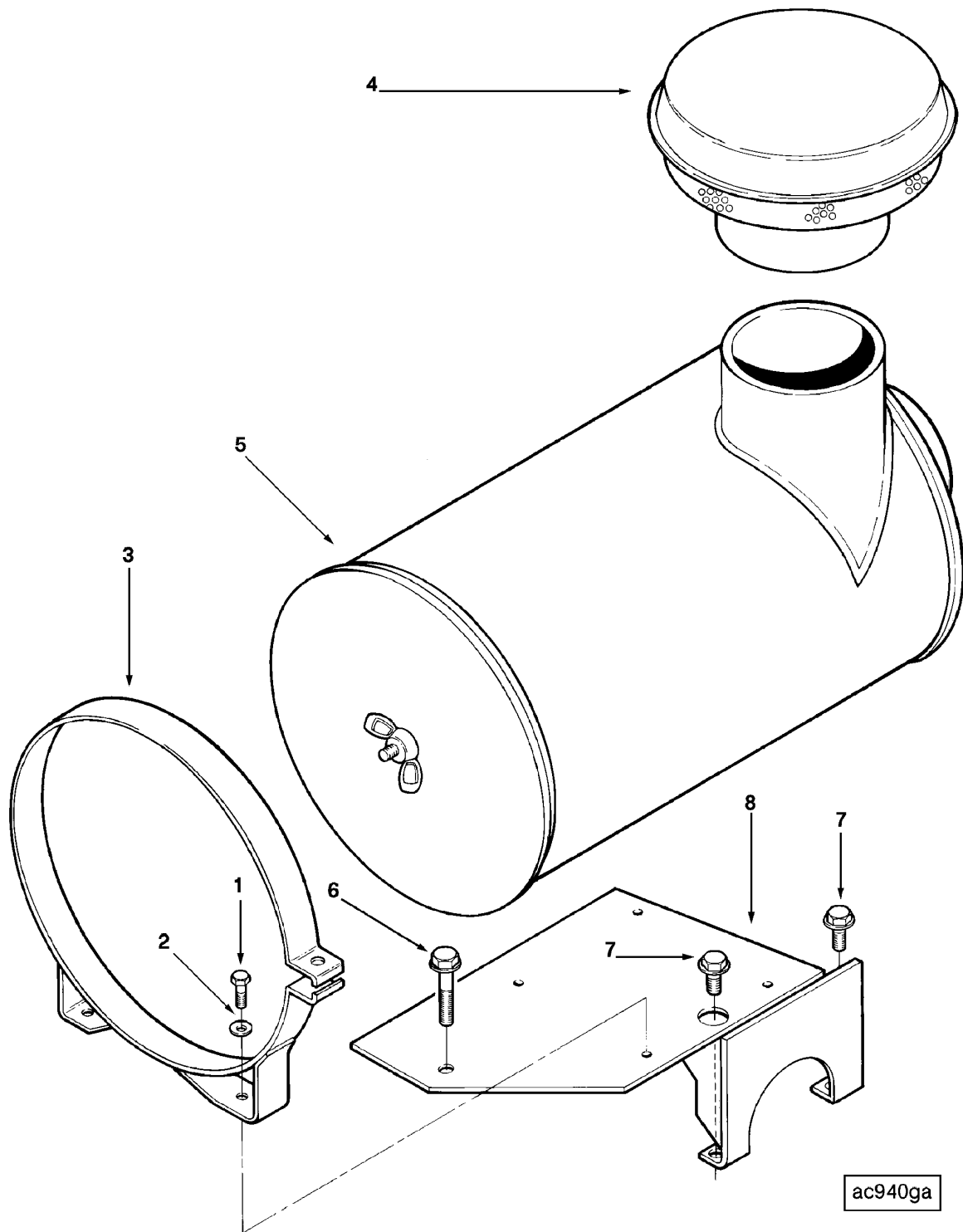




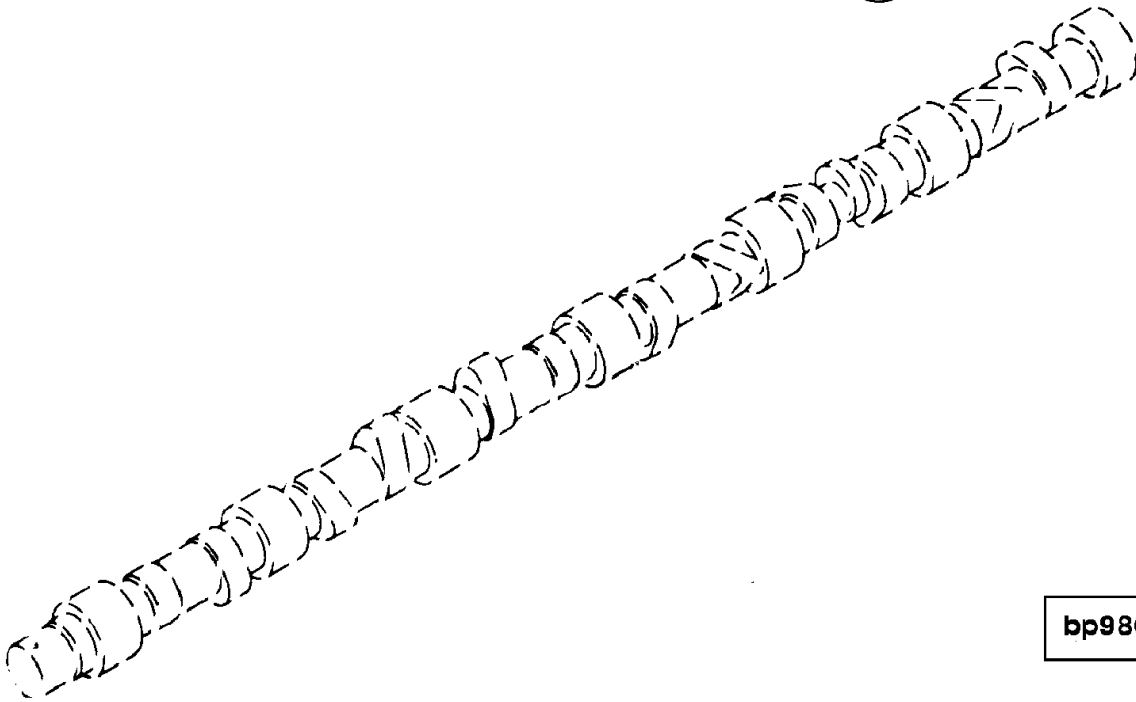
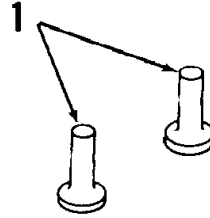
The following parts are suggested spares are for the Cummins 6CTA-F

	Item	Quantity Per Service Interval	Cummins PN#	Fleetguard PN#
	6CTA8.3-F			
1 year or 250 hours	Air Cleaner	1	none	AF4669
	Fuel Filter	1	3843760	FS1251
	Lube Filter	1	3318853	LF3000
	Lube Oil	6 Gal.	3377363	
Check voltage	Alternator 12V	As needed	3016628	
	Alternator 24V	As needed	3016627	
	Belt	As needed	3911562	
Check voltage	Starter 12V	As needed	3921402	
	Starter 24V	As needed	3921403	
	Red Paint	As needed	3885910	

The Lube Oil part number 3377363 is for Cummins Premium Blue 15W40 oil supplied in one gallon plastic jugs.



REF NO	PART NUMBER	PART NAME	REQ	REMARKS
	AC9055	Air Cleaner	1	Air Cleaner Duty Rating: Heavy Air Cleaner Exhaust OD (mm): 57.14 Mounting Location: Engine - rear Manufacturer: Fleetguard Filter Quantity: 1 Environment Capability: Outdoor Filter Disposition: Disposable Supply Method: Mounted Engine Family: C Series Structure Code: 02 EBM Cylinders: 6 Aspiration: Jacket Water Aftercooled.
1	S-115	Screw, Hexagon Head Cap	4	5/16 - 18 x .875
2	146160	Washer, Plain	4	
3	3833680	Bracket, Air Cleaner	2	
4	3833697	Cap, Rain	1	
5	3837348	Cleaner, Air	1	
6	3901757	Screw, Hex Flange Head Cap	1	M10 x 1.50 x 75
7	3903990	Screw, Hex Flange Head Cap	2	M10 x 1.50 x 20
8	3919520	Bracket, Air Cleaner	1	



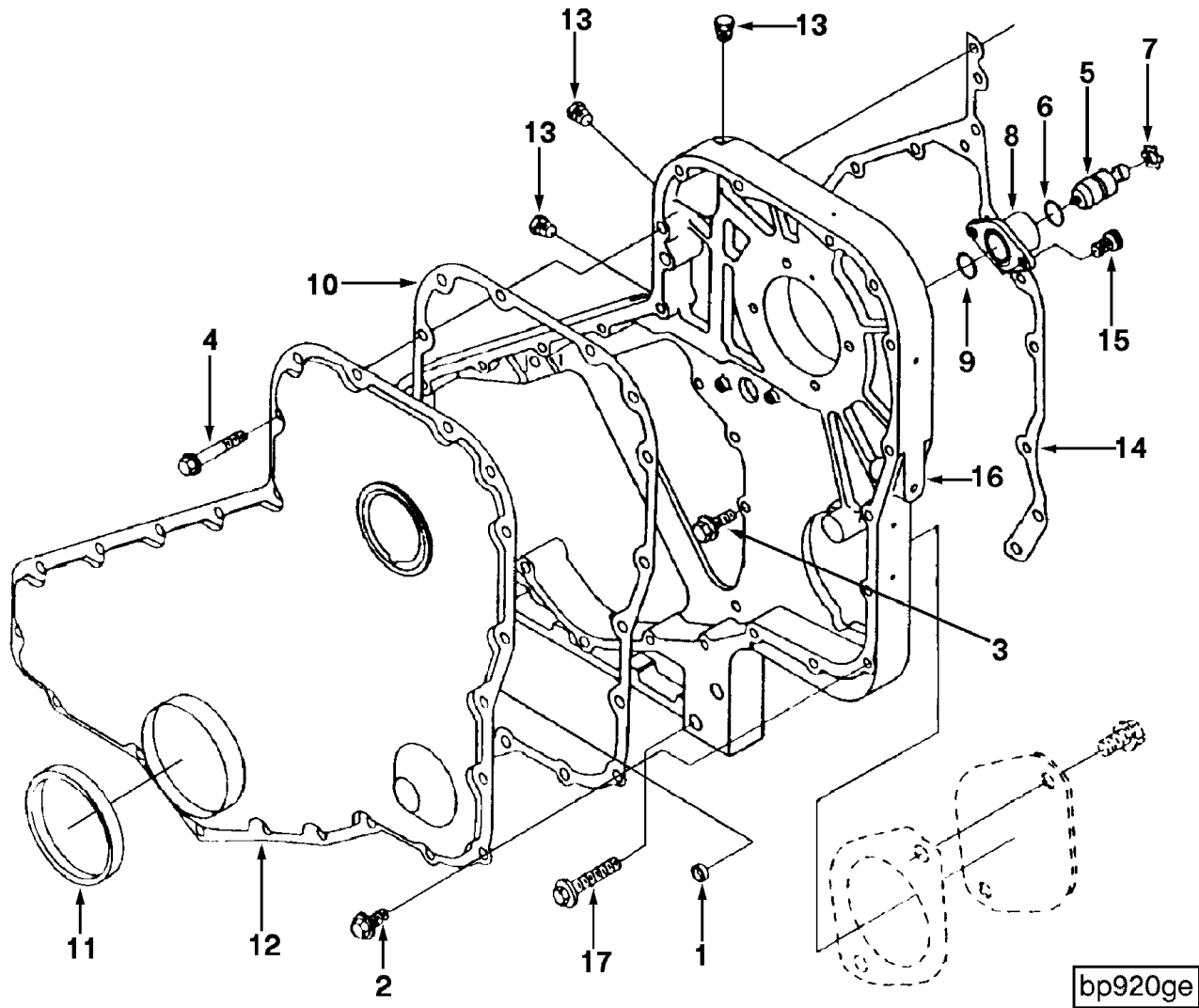
bp9802a

Group No. 04.01

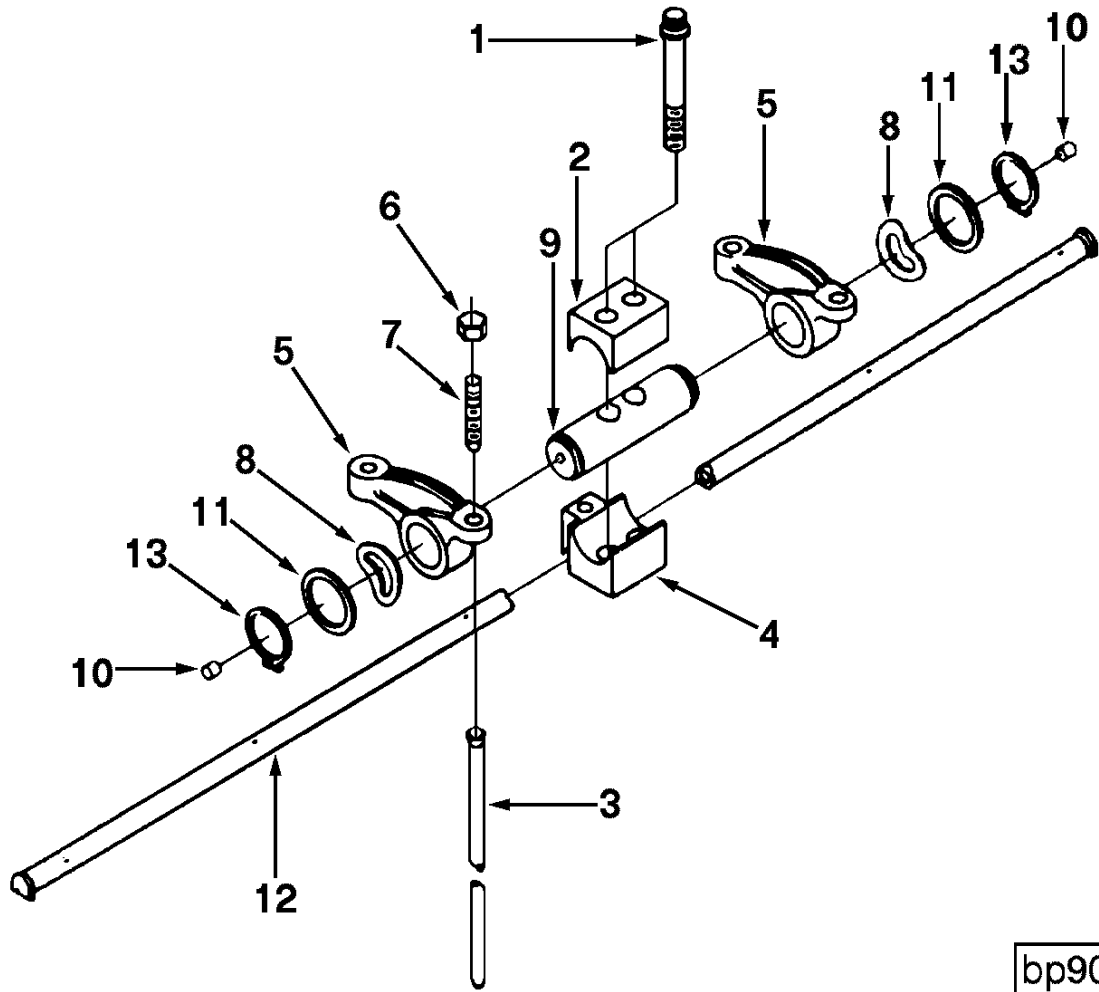
Valve-Tappets

Option No. BP9717

REF NO	PART NUMBER	PART NAME	REQ	REMARKS
	BP9717	Valve Tappets	1	CAMFOLLOWER COVER Engine Family: C Series Cylinders: 6 Structure Code: 02 EBM
1	3931623	Tappet, Valve	12	



REF NO	PART NUMBER	PART NAME	REQ	REMARKS
	BP9733	Front Gear Cover	1	Front gear cover assembly with "high pto" drive, for use with Bosch "A" and "MW", and Nippondenso EP-9 fuel pumps, and without front engine support. Qty (3) 3906619 pipe plugs and Qty (1) 3915073 gear housing may be substituted for Qty (1) 3914316 gear housing.
1	210036	Plug, Expansion	1	
2	3900629	Screw, Hex Flange Head Cap	17	M8 x 1.25 x 16
3	3900630	Screw, Hex Flange Head Cap	5	M8 x 1.25 x 20
4	3900633	Screw, Hex Flange Head Cap	6	M8 x 1.25 x 50
5	3903924	Pin, Timing	1	
6	3913994	Seal, O Ring	1	
7	3904849	Ring, Retaining	1	
8	3905933	Housing, Timing Pin	1	
9	3915772	Seal, Rectangular Ring	1	
10	3917779	Gasket, Gear Cover	1	
11	3908139	Front Seal Service Kit	1	Includes Installation Tools
12	3916192	Cover, Gear	1	
13	3906619	Plug, Pipe	3	1/8 NPT
14	3914303	Gasket, Gear Housing	1	
15	3907998	Screw, Round Head Cap	2	M5 x 0.80 x 17
16	3915073	Housing, Gear	1	
17	3902116	Screw, Hex Flange Head Cap	4	M12 x 1.75 x 50



bp900gc

Cummins Parts Catalog 6cta8 3 F1 F2 F3Full download: <http://manualplace.com/download/cummins-parts-catalog-6cta8-3-f1-f2-f3/>**Group No. 03.01****Rocker-Lever****Option No. BP9795-03**

REF NO	PART NUMBER	PART NAME	REQ	REMARKS
	BP9795	Rocker Lever	1	Rocker Lever Engine Family: C Series Cylinders: 6 P/N 390006 can be used in place of 3934086.
1	3901617	Screw, Twelve Point Cap	12	M10 X 1.50 X 65
2	3901693	Clamp, Retaining	6	
3	3905194	Rod, Push	12	
4	3905870	Support, Rocker Lever	6	
5	3901717	Lever, Rocker	12	
6	3927692	Nut, Heavy Hexagon	1	3/8 - 24 UNF
7	3934086	Screw, Rkr Lever Adjusting		
8	3906100	Washer, Spring	12	
9	3919435	Shaft, Rocker Lever	6	
10	3919434	Rivet	2	
11	3907206	Washer, Plain	12	
12	3919677	Manifold, Oil	1	
13	3901764	Ring, Retaining	12	