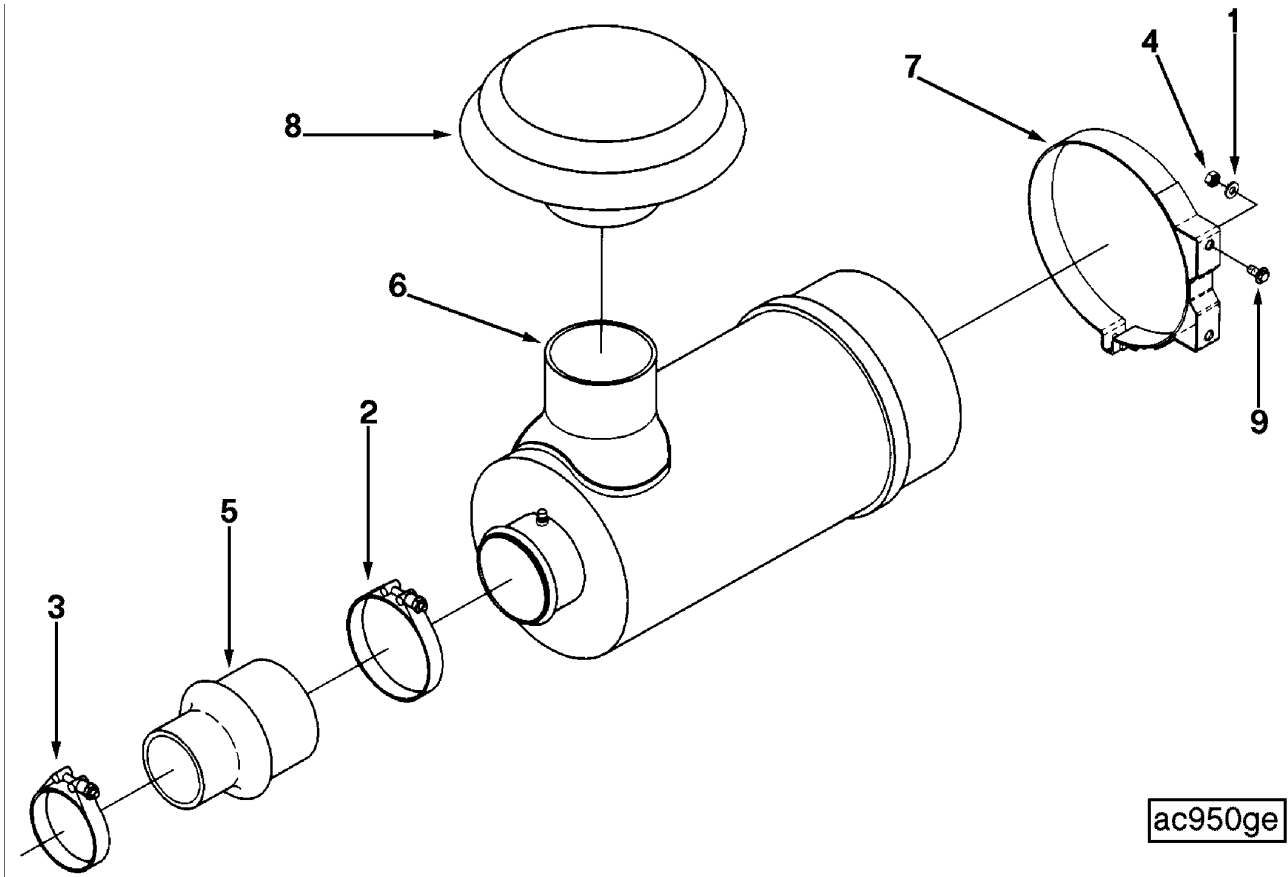




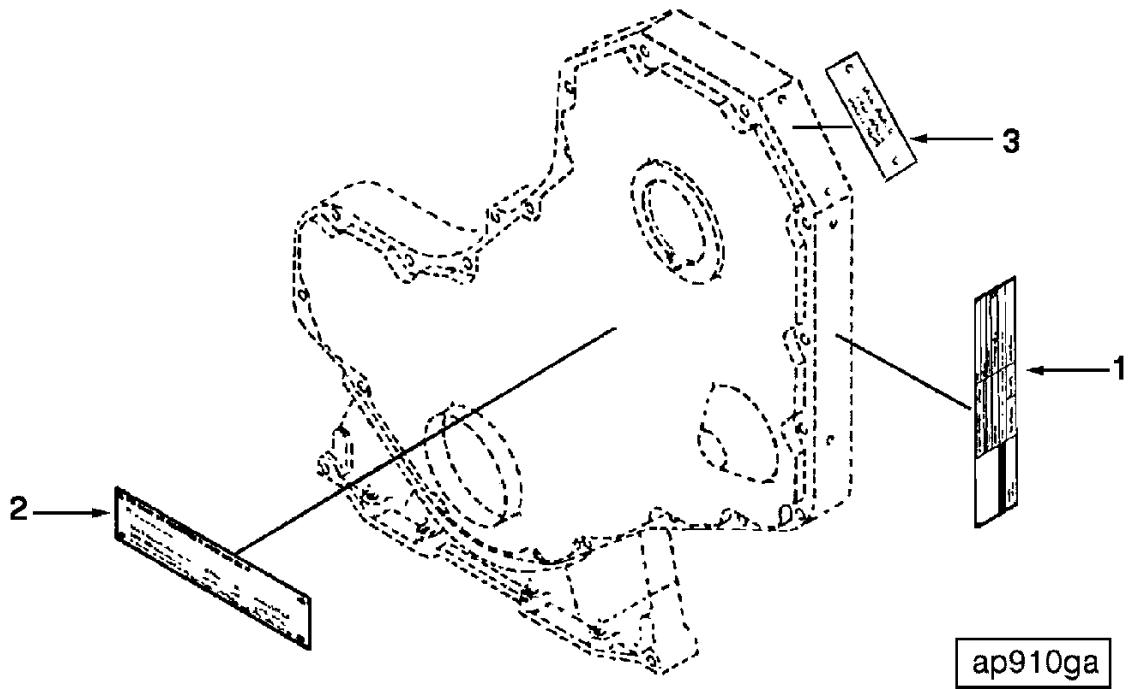
The following parts are suggested spares are for the Cummins 6BTA-F

Item	Quantity Per Service Interval	Cummins PN#	Fleetguard PN#	
6BTA5.9-F				
1 year or 250 hours	Air Cleaner	1	none	AF1735K
	Fuel Filter	1	3931063	FF5052
	Lube Filter	1	3932217	LF3349
	Lube Oil	4 Gal.	3377363	
	Alternator	As needed	3920679	
	Belt	As needed	3911587	
	Starter 12V	As needed	3916854	
	Red Paint	As needed	3885910	

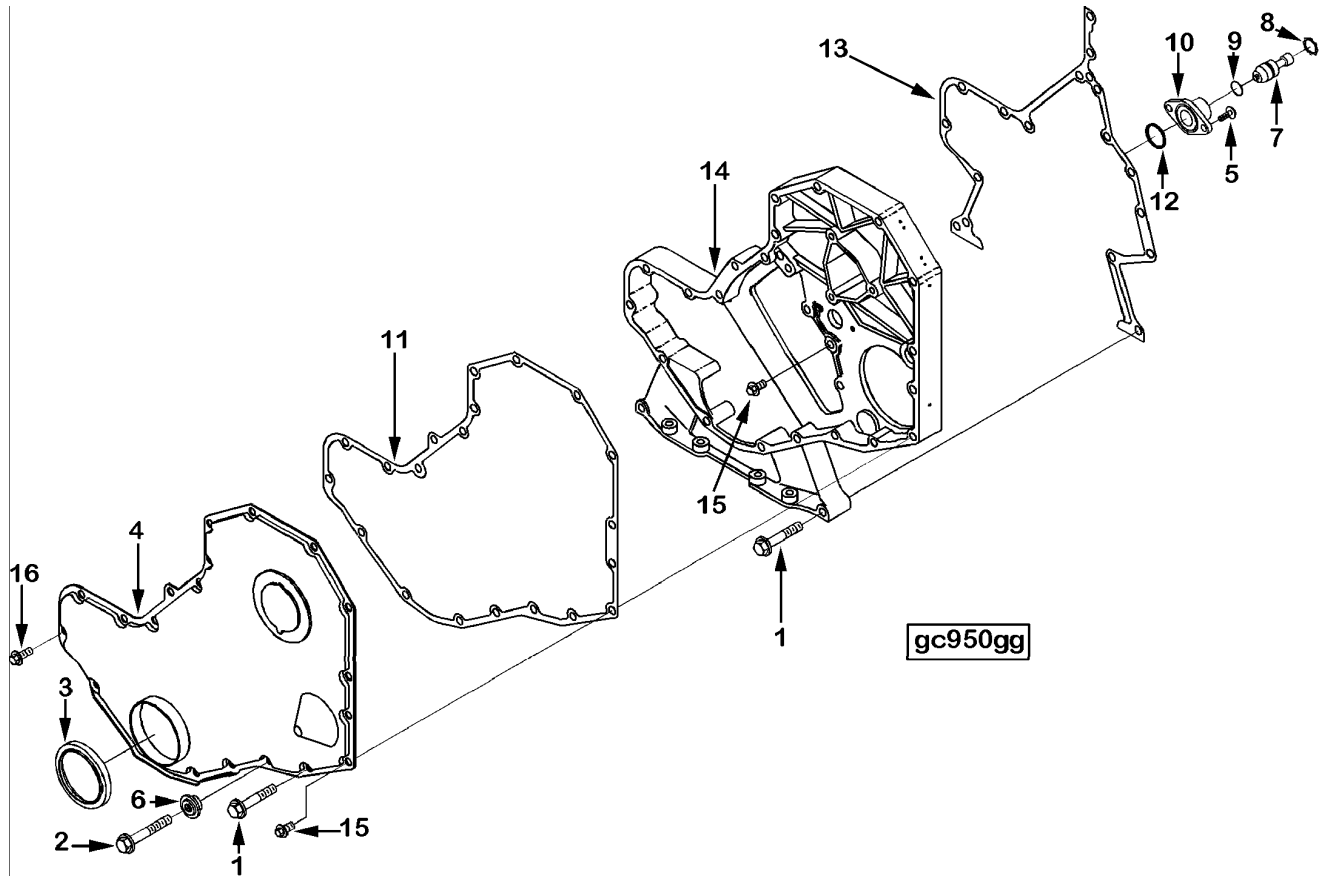
The Lube Oil part number 3377363 is for Cummins Premium Blue 15W40 oil supplied in one gallon plastic jugs.



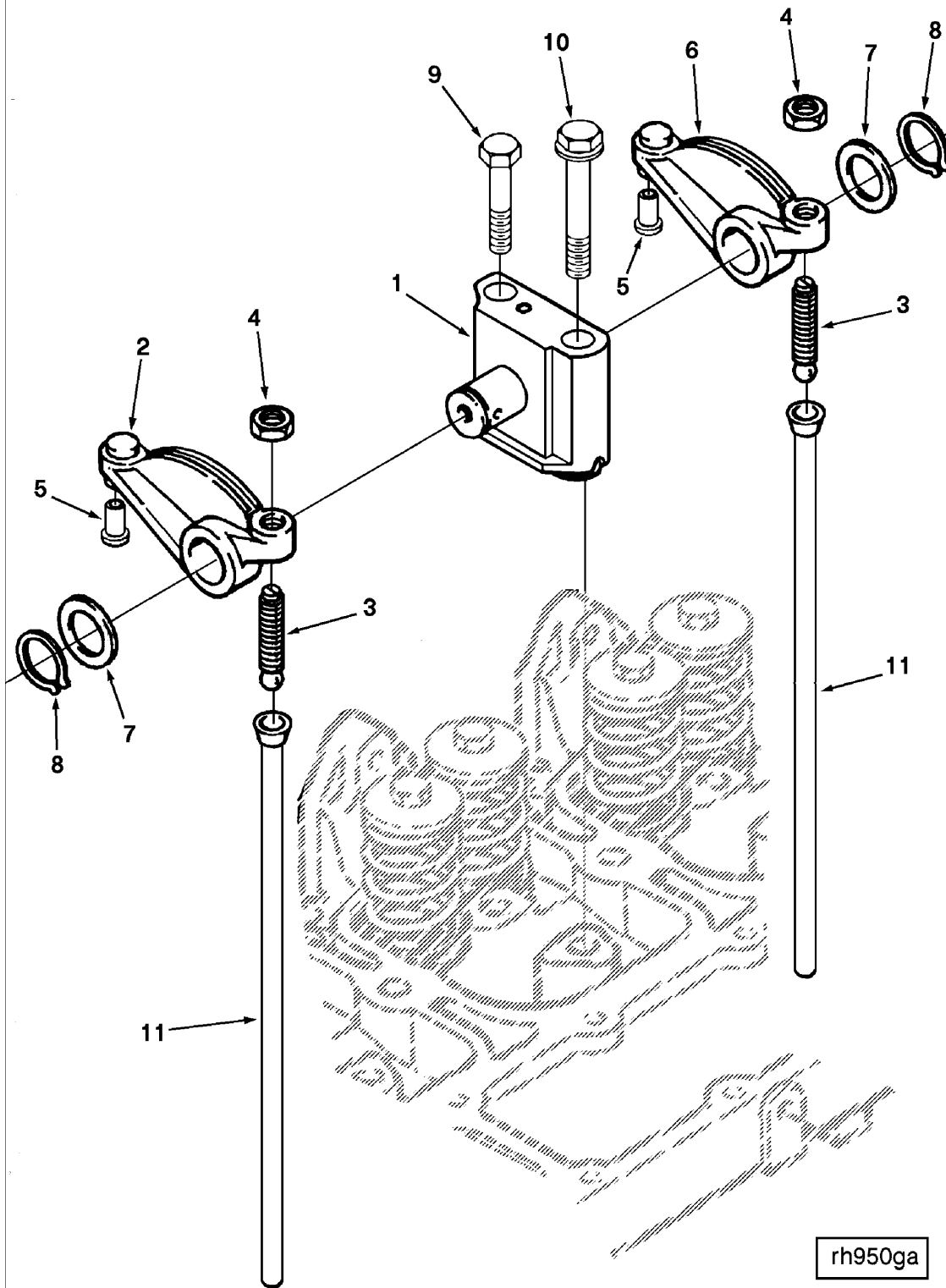
REF NO	PART NUMBER	PART NAME	REQ	REMARKS
	AC9073	Air Cleaner	1	Cleaner, Air Number of Cylinders: 6 Duty Rating: Heavy Aspiration: Turbocharged Outlet Diameter MM: 104.6 Mounting Location: Rear of engine Cleaner Manufacturer: Donaldson Environmental Use: Indoors Element Disposition: Disposable Mounted or Kit: Mounted
1	S-626	Washer, Plain	2	5/16 inch
2	125740	Clamp, T Bolt	1	4 1/2 inch
3	135144	Clamp, T Bolt	1	3 1/2 inch
4	3900240	Nut, Regular Hexagon	2	M8 x 1.25
5	3904060	Hose, Hump	1	
6	3915066	Cleaner, Air	1	
7	3915067	Strap, Air Cleaner	1	
8	3915068	Cap, Rain	1	
9	3925883	Screw, Hex Flange Head Cap	2	M8 x 1.25 x 16



REF NO	PART NUMBER	PART NAME	REQ	REMARKS
	AP9046	Dataplate	1	Fire Pump Certification Certification Agency: FM (Factory Mutual) UL (Underwriters Laboratories) Engine Family: B Series Certification Status: Approved/Listed Application: Fire Pump Unique Characteristics: 208 BHP @ 2100 RPM/182 BHP @ 1760 RPM Structure Code: 02 EBM Fuel Pump Dataplate to be applied to the fuel pump side of the instrument panel. 3918890 and 3918891 speed switch dataplates to be supplied loose.
1	3915072	Dataplate	1	
2	3918890	Dataplate	1	
3	3918891	Dataplate	1	



REF NO	PART NUMBER	PART NAME	REQ	REMARKS
	BP9703	Front Gear Cover	1	Front Gear Cover Family: B Series Belt Retainer Included: Yes Noise Dampening Panel Provision: No Access for Tach Drive: Yes Gear Housing Material: Cast Aluminum Fuel Pump Mounted Angle: 35 Degree ADDL. Clearance for ENG. Mount: No Compatible w/Oil Pan Corner Stiffener: No Engine Design Phase: Current Product Fuel Pump: Bosch VE Bosch VP14 CAV DPA CAV DPS Stanadyne DB3 Stanadyne DB4 DEP may use 3920518 in place of 3920758. DEP may omit 3912772 belt retainer and 3901446 capscrew and add 3900633 capscrew.
1	3900633	Screw, Hex Flange Head Cap	10	M8 x 1.25 x 50
2	3901446	Screw, Hex Flange Head Cap	1	M8 x 1.25 x 60
3	(3904353)	Front Seal Service Kit	1	
4	3903794	Cover, Gear	1	
5	3907998	Screw, Round Head Cap	2	M5 x 0.80 x 17
6	3912772	Retainer, Belt	1	
	(3913995)	Housing, Timing Pin	1	
7	3903924	Pin, Timing	1	
8	3904849	Ring, Retaining	1	
9	3913994	Seal, O Ring	1	
10	3919683	Housing, Timing Pin	1	
11	3914385	Gasket, Gear Cover	1	
12	3915772	Seal, Rectangular Ring	1	
13	3931351	Gasket, Gear Housing	1	
14	3920758	Housing, Gear	1	
15	3924962	Screw, Hex Flange Head Cap	11	M8 x 1.25 x 16
16	3926846	Screw, Hex Flange Head Cap	5	M8 x 1.25 x 20



Group No. 03.01

Rocker-Levers

Option No. BP9710-03

REF NO	PART NUMBER	PART NAME	REQ	REMARKS
	BP9710	Rocker Levers	1	Rocker Lever Engine Family: B Series Cylinders: 6 P/N 3910815 can be used in place of 3939420.
	3922488	Support, Rocker Lever	6	
1	(3911423)	Support, Rocker Lever	1	
	(3922487)	Shaft, Rocker Lever	1	
2	3910811	Lever, Rocker	6	
	(3910809)	Lever, Rocker	1	Intake
3	3934086	Screw, Rkr Lever Adjusting	1	
4	3927692	Nut, Heavy Hexagon	1	3/8 - 24 UNF
5	(3900705)	Insert, Rocker Lever	1	
6	3910810	Lever, Rocker	6	
	(3910808)	Lever, Rocker	1	Exhaust
3	3934086	Screw, Rkr Lever Adjusting	1	
4	3927692	Nut, Heavy Hexagon	1	3/8 - 24 UNF
5	(3900705)	Insert, Rocker Lever	1	
7	3900245	Washer, Plain	12	M19
8	3900242	Ring, Retaining	12	
9	3901221	Screw, Hexagon Head Cap	6	M8 x 1.25 x 75
10	3920781	Screw, Hex Flange Head Cap	6	
11	3284377	Rod, Push	12	