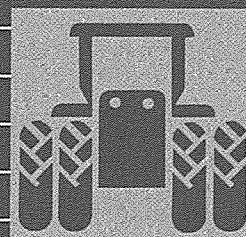
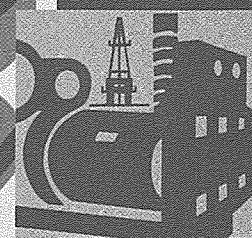
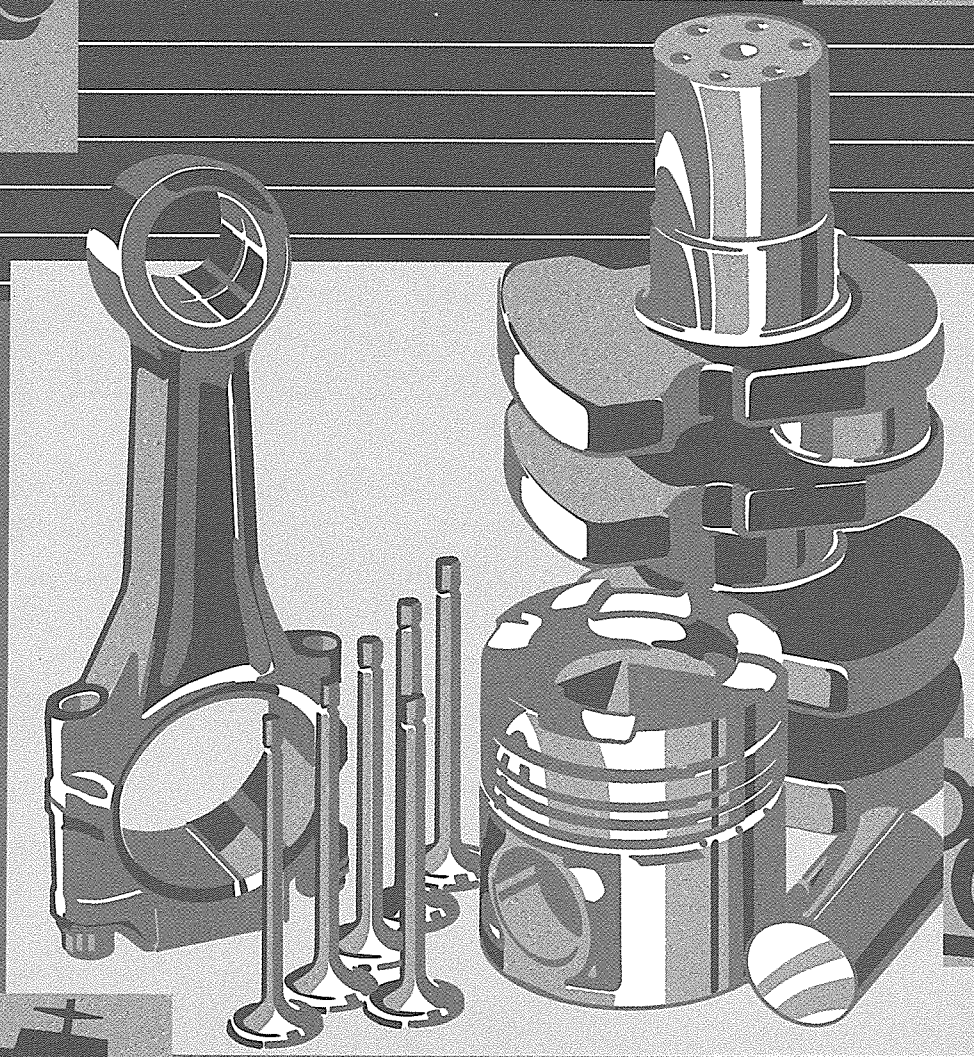
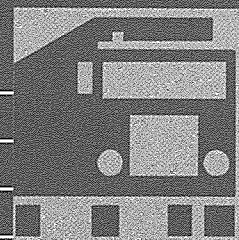


# QSB6.7 Tier 3

Industrial







# Parts Catalog

## QSB6.7 Tier 3

Industrial



**Cummins Inc.**  
**New Parts Warranty**  
**Midrange**

**COVERAGE**

**PRODUCTS WARRANTED**

This warranty applies to New Parts marketed by Cummins for its A, B, and C Series engines. It applies anywhere in the world where service is available through a Cummins distributor or A, B, and C Series dealer.\*

**COVERAGE**

This warranty covers any failures of parts on or after December 1, 1986, which result, under normal use and service, from defects in workmanship or material (Warrantable Failures). The coverage extends six months from the date of first installation.

This warranty continues to all subsequent Owners until the end of the period of coverage.

**CUMMINS RESPONSIBILITIES**

Cummins will pay for all parts and labor needed to repair the damage to the engine resulting from the Warrantable Failure. All labor costs will be paid in accordance with Cummins published Standard Repair Time guidelines.

Cummins will pay for the lubricating oil, antifreeze, filter elements, and other maintenance items that are not reusable due to the Warrantable Failure.

Cummins will pay reasonable labor costs for engine removal and reinstallation when necessary to make the warranty repair.

**OWNER RESPONSIBILITIES**

At the time when the parts are installed, Owner is responsible for the preparation of a written record containing the following: (1) the date of installation of the parts; (2) the engine serial number; (3) the engine miles, hours or kilometers of operation; (4) the parts installed, and (5) the location of the parts in the engine. The purpose of this record is to protect Owner's interests and support any claim for a Warrantable Failure.

Owner is responsible for the operation and maintenance of the engine as specified in Cummins Operation and Maintenance Manuals.

Before expiration of the warranty, Owner must give notice to a Cummins distributor or A, B, and C Series dealer\* of a failure considered to be warrantable and deliver the engine to such facility for repair.

Owner is responsible for the cost of lubricating oil, antifreeze, filter elements and other maintenance items replaced during warranty repairs except where such items are not reusable due to a Warrantable Failure.

Owner is responsible for communication expenses, meals, lodging and similar costs incurred by Owner as a result of a Warrantable Failure. Owner is responsible for non-engine repairs and for "downtime" expenses, cargo damage and all business costs and losses resulting from a Warrantable Failure. **CUMMINS IS NOT RESPONSIBLE FOR INCIDENTAL OR CONSEQUENTIAL DAMAGES.**

(In the United States, some states do not allow the exclusion or limitation of incidental or consequential damages relating to Consumer Products, so the above limitation or exclusion may not apply to you.)

**LIMITATIONS**

Cummins is not responsible for failures resulting from Owner or Operator abuse or neglect, such as: operation without adequate coolant or lubricants; overfueling; overspeeding; lack of maintenance of lubricating, cooling or air intake systems; improper storage, starting, warm-up, run-in or shutdown practices. Cummins is also not responsible for failures caused by incorrect fuel, or by water, dirt or other contaminants in the fuel.

Except for fuel pumps, Cummins does not warrant parts supplied by Cummins which bear the name of another company. These parts are warranted by their manufacturers and not by Cummins. This category of parts includes, but is not limited to: hydraulic pumps, alternators, starters, fans, air conditioning compressors, clutches, filters, transmissions, torque converters, marine gears, air cleaners and non-Cummins air compressors, engine compression brakes, and steering pumps.

Parts used in warranty repairs may be new Cummins, Cummins approved rebuilt parts, or repaired parts. Cummins is not responsible for failures resulting from the use of parts not approved by Cummins.

Before a claim for excessive oil consumption will be considered, Owner must submit adequate documentation to show that consumption exceeds Cummins published standards.

This warranty does not apply to parts furnished by Cummins at no charge to the Owner.

**THIS WARRANTY IS THE SOLE WARRANTY MADE BY CUMMINS IN REGARD TO THESE PARTS. CUMMINS MAKES NO OTHER WARRANTIES, EXPRESS OR IMPLIED, OR OF MERCHANTABILITY OR FITNESS FOR A PARTICULAR PURPOSE.**

**INVEST IN THE BEST**

# Product Identification Information

Data plates should be referred for parts identification.

## 1. ENGINE DATA PLATE

<b>Cummins Inc.</b> Box 3005 Columbus, Indiana 47202-3005	Engine Cert. I.D. Certificat d'entite	C.I.D./L Pouce Cube L	MODEL MODELE	CPL	Family Famille	FEL	EPA	CARB
	Timing At Idle Cologe-a Rolenti			B.T.D.C. P.M.H.	Engine No. Moteur No.	NOX		
Warning: Injury May Result and Warranty is Voided if Fuel Rate RPM Or Altitudes Exceed Published Maximum Values For This Model And Application. AVERTISSEMENT: Danger de blessures e' annulation de la garantie, et de loi de combustible, h/r/mn on altitude, de' passant les valeurs maximum annonce'es pour ce module et son utilisation.	Valve losh cold Jeux Soup. a Froid	Int. Adm	Exh. Ech.	Ref. No.				
	Firing Order Order dAllumage				Spark Plug Gap Ecartement des 'electrodes	1 n. Po		
	Date of Mfg. Date of Fabrication	Idle Speed (rpm) V'tesse Rotenti	E.C.S.	Advertise HP Puiss. Indiquee (ch)	Ot a	rpm		

1. Shop order number
2. Model designation
3. Engine serial number
4. Control parts list

This catalog was compiled by Bryan Priebe and Robert Cloney.

## Customer Service Information

This standard Parts Catalog contains parts information for the following Cummins Engine Model(s):

QSB6.7 Tier 3

D313001CX03

CPL 8611

Certain basic engine components have been matched to give optimum performance to your engine. The part numbers listed in this catalog for these components are for a standard engine configuration. When ordering any of the Control Parts List (CPL) components listed below, please order by part description and engine serial number. Reference to the CPL number stamped on the engine data (name) plate will also help identify the proper service parts for your engine.

### Control Parts List (CPL) Components

Fuel Pump  
Camshaft  
Cylinder Head  
Injector

Page 23  
Page 56  
Page 59  
Page 57

Engine Piston  
Turbocharger  
Exhaust Manifold

Page 55  
Page 60  
Page 67

### USER INFORMATION

- . Parts numbers appearing in ( ) are for identification purposes only and should not be used when ordering service replacement parts.
- . The reference numbers appearing on the art pages is for publication use only.
- . Assembly content is shown by part number indentation.
- . Options are engineered production part groupings, specifically used for compiling engine orders.
- . Option numbers are for reference only and are not sold for service.
- . Use assembly and not option content to determine service parts replacement.

### ALWAYS SPECIFY ENGINE MODEL AND SERIAL NUMBER WHEN ORDERING PARTS FROM THIS CATALOG

Engine Model \_\_\_\_\_ Engine Serial No. \_\_\_\_\_

MFG Make \_\_\_\_\_ Model \_\_\_\_\_ Chassis No. \_\_\_\_\_

Fuel Pump Assembly No. \_\_\_\_\_ Injector No. \_\_\_\_\_

Belt, Fan \_\_\_\_\_ Belt, Water Pump \_\_\_\_\_ Belt, Gen. \_\_\_\_\_

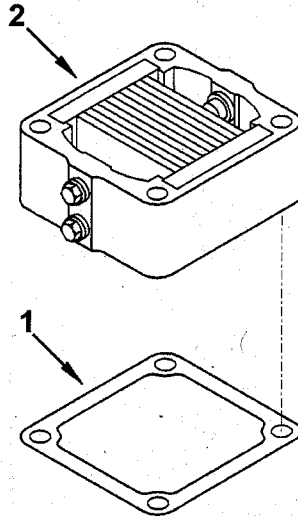
Element, Fuel Filter \_\_\_\_\_ Full Flow Lub. Filter \_\_\_\_\_

Air Cleaner \_\_\_\_\_ By-Pass Lub. Filter \_\_\_\_\_

Special Equipment  
\_\_\_\_\_  
\_\_\_\_\_  
\_\_\_\_\_

## Table of Contents

	Page No.		Page No.
Agency Approval .....	3	Water Pump .....	75
Air Heater Starting Aid .....	2	Option Number Index .....	A-1
Air Intake Connection .....	33	Part Number Index .....	B-1
Air Intake Manifold .....	37		
Belt Tensioner .....	76		
Cabin Heater Plumbing .....	32		
Camshaft .....	56		
Connecting Rod and Piston .....	55		
Coolant Heater Starting Ai .....	11		
Crankcase Breather .....	10		
Crankshaft and Bearings .....	7		
Cylinder Block .....	5		
Cylinder Head .....	59		
Engine Control Module .....	51		
Engine Control Module Loca .....	52		
Engine Control Wiring Harn .....	79		
Engine Coolant Vent .....	66		
Engine Oil Cooler .....	41		
Flywheel Housing .....	19		
Flywheel Mounting .....	28		
Front Gear Cover .....	31		
Fuel Filter .....	17		
Fuel Filter Plumbing .....	15		
Fuel Inlet Fitting .....	20		
Fuel Plumbing .....	27		
Fuel Pump .....	23		
Fuel System Accessories .....	25		
Injector .....	57		
Injector Plumbing .....	63		
Intake Connection Mounting .....	34		
Lifting Arrangement .....	38, 39		
Lube Oil Filter .....	42		
Lubrication Oil Pump .....	46		
Oil Filler Arrangement .....	47		
Oil Level Gauge .....	45		
Oil Pan .....	49		
Rear Gear Housing .....	9		
Rear Gear Train Accessory .....	13		
Rocker Lever .....	65		
Thermostat .....	14		
Torque Converter Oil Coole .....	68		
Turbocharger .....	60		
Turbocharger Arrangement .....	67		
Turbocharger Plumbing .....	71		
Valve Cover Arrangement .....	72		
Valve Tappets .....	8		
Vibration Damper .....	12		
Water Inlet Connection .....	73		
Water Outlet Connection .....	74		



ah953gi

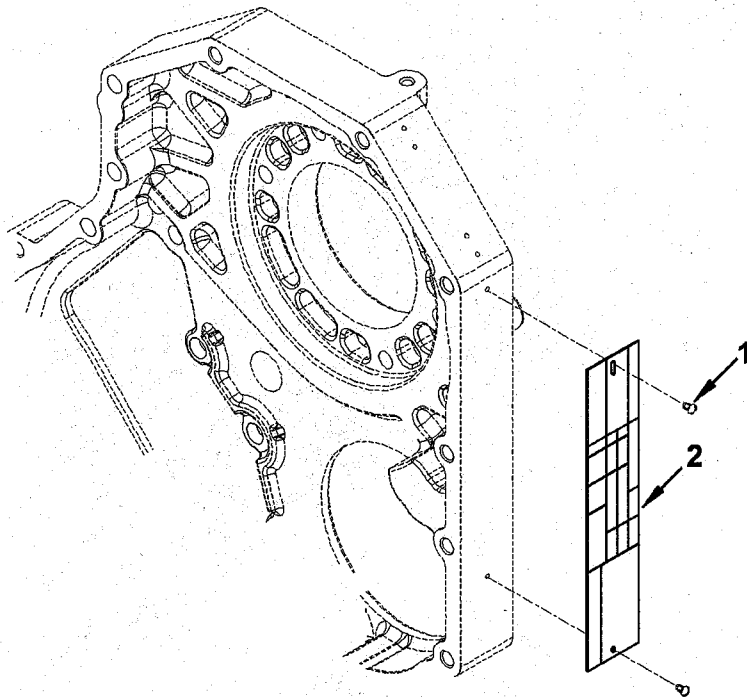
Ref No.	Part Number	Part Name	Req	Remarks
		<b>AIR HEATER STARTING AID OPTION AH9148</b>		Air Heater Starting Aid Component Provided: Integral Heater Heater Voltage: 12 Heater Amperage: 190 Controls Provided: Yes Heater/Spacer Thickness (mm): 41.1 Heater/Spacer Bolt Pattern (mm): 75 X 80 Terminal Screw Length (mm): 10 Engine Aspiration: Charge Air Cooled Turbocharged
1	3969988	Gasket, Connection	1	
2	3970000	Heater, Intake Air	1	



Group No. 01.06.1

Agency Approval

Option No. AP9432



Ref No.	Part Number	Part Name	Req	Remarks
		<b>AGENCY APPROVAL OPTION AP9432</b>		
1	3281692	Screw, Drive	2	Agency Approval
2	3931342	Dataplate	1	