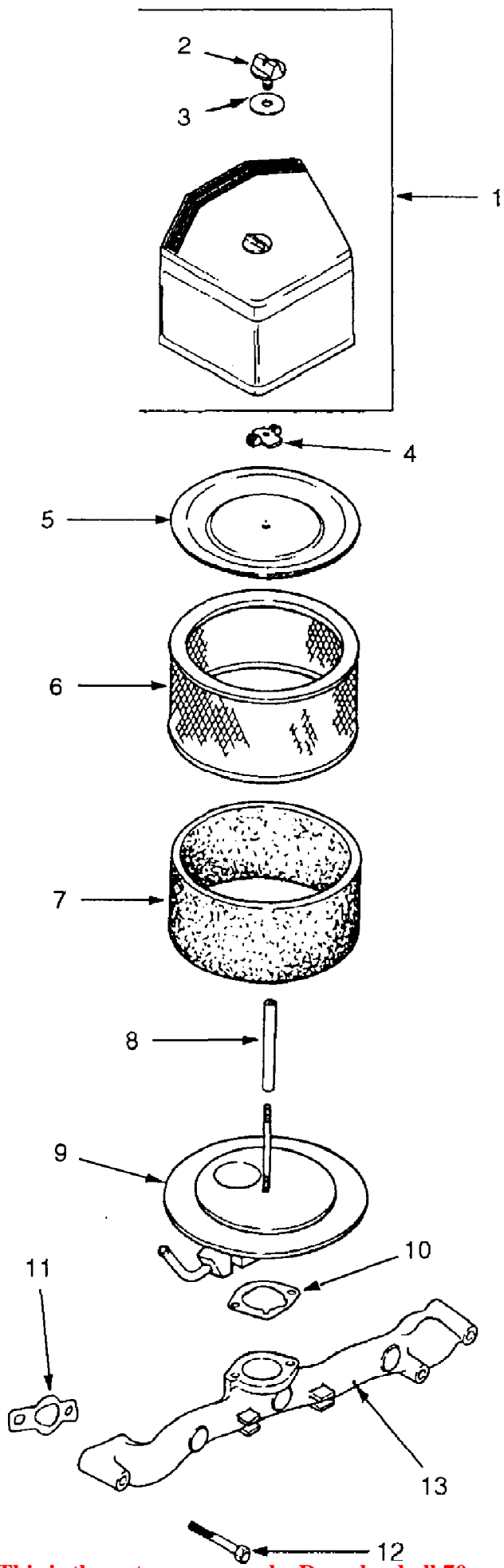
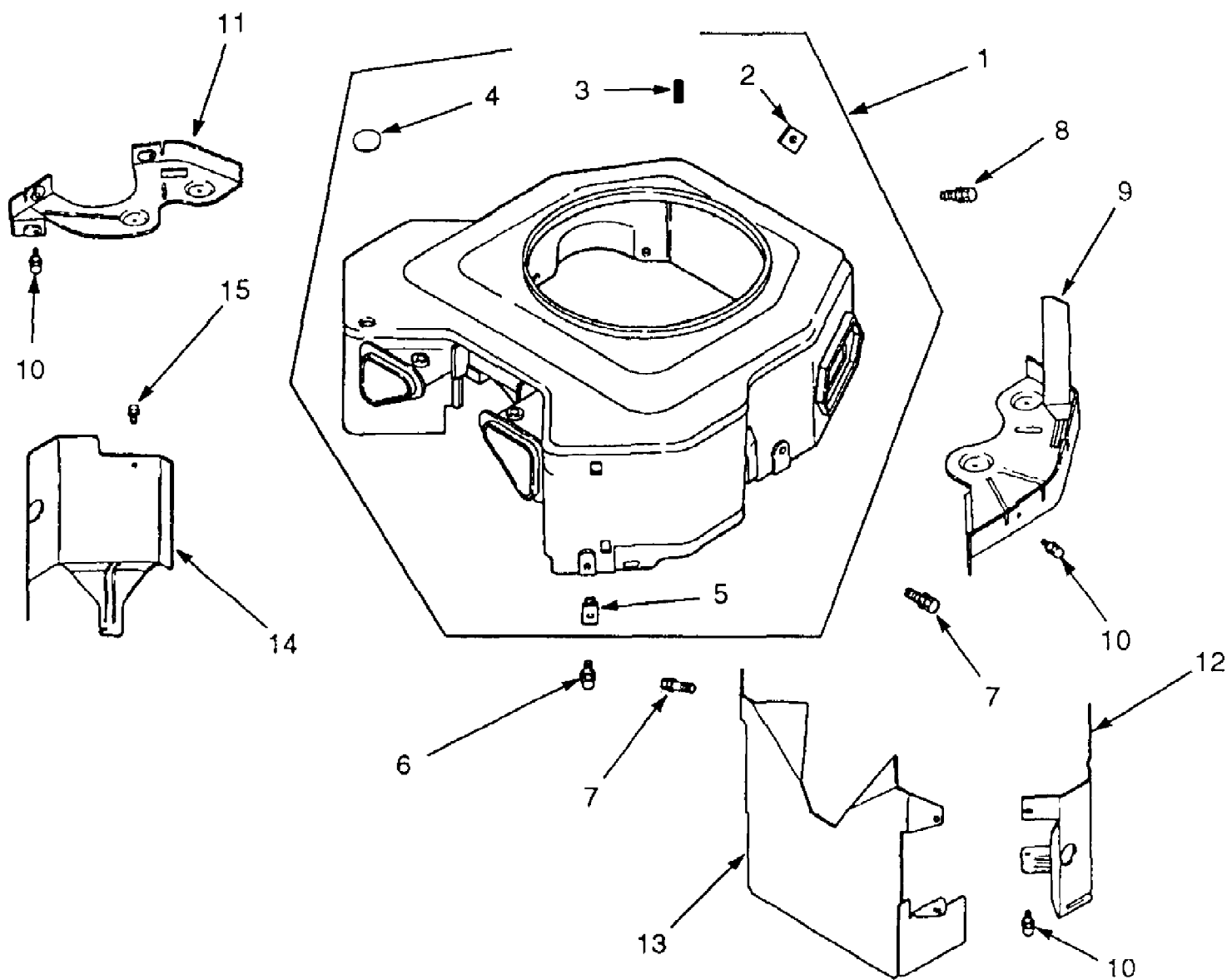


Z54  
20HP Air Intake And Filter



Z54  
20HP Air Intake And Filter

Ref #	Part Number	Qty	S/P/F	Description
1	KH-24-753-11	1		Kit, Air Cleaner Cover (Includes 2-3)
2	KH-25-341-03	1	/P	Knob, Cover
3	KH-24-041-27	1		Gasket, Air Cleaner Cover Knob
4	KH-12-100-01	1	/P	Wing Nut
5	KH-52-082-04	1	/P	Cover, Air Cleaner Element
6	KH-45-083-02	1	S	Element, Air Cleaner
7	KH-45-083-01	1	S	Precleaner, Element
8	KH-24-032-04	1		Seal
9	KH-24-054-02	1	S	Elbow, Air Cleaner
10	KH-24-041-14	1	/P	Gasket, Air Cleaner Base
11	KH-24-041-01	2	/P	Gasket, Intake Manifold
12	KH-M-0651055	4		Screw, Hex Flange, M6 x 1.0 x 55
13	KH-24-164-06	1		Manifold, Intake



Z54  
20HP Blower Housing And Baffles

Page 4 of 70

Ref #	Part Number	Qty	S/P/F	Description
1	KH-24-027-83	1	S	Housing, Blower (Incl. 2 thru 5)
2	KH-24-100-01	3		Nut, Plastic
3	KH-25-086-43	1		Screw, Set
4	KH-25-139-16	1		Plug, Button, 9/16
5	KH-24-100-02	2		Nut, Plastic
6	KH-M-0545020	2	/P	Screw, Hex Flange, M5 x 0.8 x 20
7	KH-M-0545016	5	S	Screw, Hex Flange, M5 x 0.8 x 16
8	KH-M-0551016	1		Screw, Hex Flange, M5 x 0.8 x 16
9	KH-24-146-07	1		Plate, Backing - #2 Side
10	KH-M-0645016	6	S	Screw, Hex Flange, M6 x 1.0 x 16
11	KH-24-146-08	1	S	Plate, Backing - #1 Side
12	KH-24-063-20	1	/P	Baffle, Cylinder Barrel - #2 Side
13	KH-24-063-29	1		Baffle, Valley
14	KH-24-063-30	1		Baffle, Cylinder Barrel - #1 Side
15	KH-M-0545010	2	/P	Screw, Hex Flange, M5 x 0.8 x 10



Ref #	Part Number	Qty	S/P/F	Description
	KH-65540	1		Engine, Complete
	KH-24-522-10	1	S	Short Block
	KH-24-782-05	1		Miniblock
1	KH-24-032-01	1	S	Seal, Front Oil
2		1		Cylinder Block (USE: Miniblock).
3	KH-24-294-03	1	S	Fitting
4	KH-12-380-17	6	S	Pin, Locating Dowel
5	KH-24-067-09	2	S	Rod Ass'y, Connecting, Std.
	KH-24-067-10	2		Rod Ass'y, Connecting, .010 Under
6	KH-24-874-01	2	S	Piston w/Ring Set, Std. (Incl. 7-8)
	KH-24-874-02	2	S	Piston w/Ring Set, .010 Over
	KH-24-874-03	2	S	Piston w/Ring Set, .020 Over
7	KH-24-108-01	2	S	Ring Set, Std.
	KH-24-108-02	2	S	Ring Set, .010 Over
	KH-24-108-03	2		Ring Set, .020 Over
8	KH-24-018-01	4	S	Retainer, Piston Pin
9	KH-12-422-09	AR	S	Shim, Crankshaft, .032 (Red)
	KH-12-422-13	AR	S	Shim, Crankshaft, .040 (Black)
	KH-12-422-07	AR	S	Shim, Crankshaft, .028 (White)
	KH-12-422-08	AR	S	Shim, Crankshaft, .030 (Blue)
	KH-12-422-10	AR	S	Shim, Crankshaft, .034 (Yellow)
	KH-12-422-11	AR	S	Shim, Crankshaft, .036 (Green)
	KH-12-422-12	AR	S	Shim, Crankshaft, .038 (Gray)
10	KH-24-012-05	1	S	Camshaft
11	KH-52-139-09	1	S	Plug, Cup
12	KH-M-0545010	2	/P	Screw, Breather Reed Retainer M5 x 0.8 x 10
13	KH-24-018-04	2		Retainer, Reed
14	KH-24-402-05	2	S	Reed, Breather
15	KH-12-153-01	1	S	O-Ring, Lower Oil Fill Tube
16	KH-24-126-19	1		Bracket, Oil Fill Tube
17	KH-12-123-04	1	S	Tube, Oil Fill
18	KH-M-0545016	1	S	Screw, Hex Flange, M5 x 0.8 x 16
19	KH-12-153-02	1	S	O-Ring, Upper Oil Fill Tube
20	KH-24-038-04	1	S	Dipstick Ass'y
21	KH-25-755-13	1	/P	Kit, Oil Fill Cap
22	KH-12-153-03	1		O-Ring, Dipstick
23	KH-12-380-04	1		Pin, Hitch
24	KH-M-631005	1	/P	Washer, 6mm
25	KH-12-032-01	1		Seal, Governor Cross Shaft
26	KH-X-25-102	1	S	Washer, 1/4
27	KH-24-144-01	1		Shaft, Governor Cross
28	KH-24-014-42	1	S	Crankshaft (Includes 29)
29	KH-52-032-09	1		Plug, Cup
	KH-24-755-03	1	S	Gasket Set

Z54  
20HP Cylinder Head, Valves And Breather

