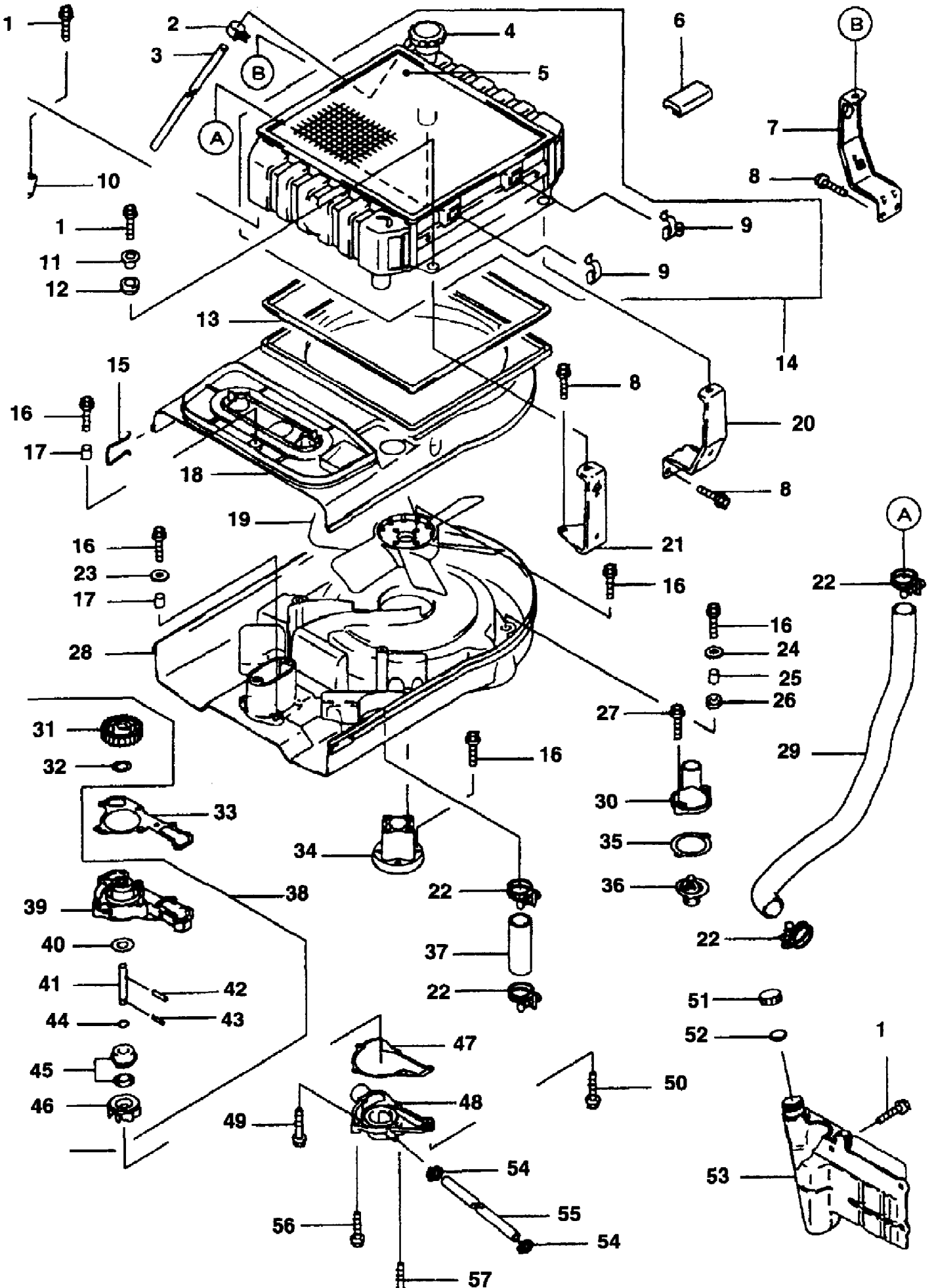


Z48L
18 HP Cooling Equipment



Z48L
18 HP Cooling Equipment

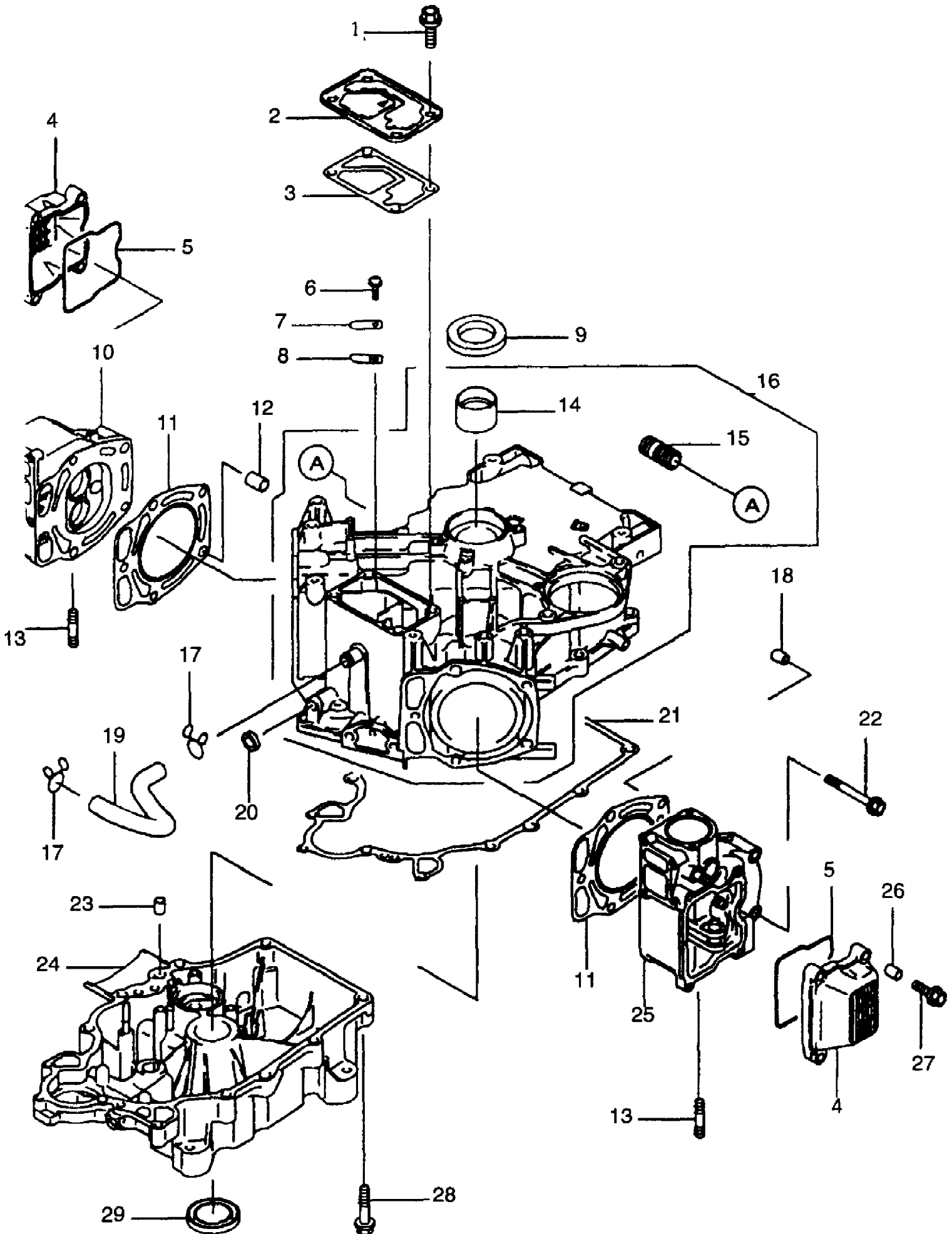
Page 2 of 75

Ref #	Part Number	Qty	S/P/F	Description
1	KM-130B0614	3		Flanged Bolt
2	KM-92037-2001	1		Clamp
3	KM-39062-2054	1		Cooling Hose
4	KM-49085-2052	1		Pressure Cap Ass'y
5	KM-14037-2108	1		Screen
6	KM-92160-2039	2		Damper
7	KM-11050-2069-9H	1		Bracket
8	KM-130B0816	8	S	Flanged Bolt
9	KM-92144-2346	4		Spring
10	KM-11046-2010-9H	1		Bracket
11	KM-92027-271	4		Collar
12	KM-92160-2001	4		Damper
13	KM-92093-2085	1		Seal
14	KM-39061-2058	1		Radiator Ass'y
15	KM-92037-2211	2		Clamp
16	KM-130B0620	16	S	Flanged Bolt
17	KM-92143-2014	4		Collar
18	KM-14073-2067	1		Duct
19	KM-59041-2063	1		Cooling Fan
20	KM-11047-2058-9H	1		Bracket
21	KM-11050-2068-9H	1		Bracket
22	KM-92037-2210	4		Clamp
23	KM-92022-2247	2		Washer
24	KM-92022-1557	4		Washer
25	KM-92143-2013	4		Collar
26	KM-92160-2002	4		Damper
27	KM-92150-2231	2		Bolt
28	KM-14073-2068	1		Duct
29	KM-39062-2055	1		Cooling Hose
30	KM-14024-2114	1		Cover
31	KM-59051-2113	1		Spur Gear
32	KM-92200-2044	1		Washer
33	KM-11060-2289	1	S	Pump Case Gasket
34	KM-11046-2008	1		Bracket
35	KM-11060-2084	1		Thermostat Cover Gasket
36	KM-49054-2053	1	S	Thermostat
37	KM-39062-2052	1		Cooling Hose
38	KM-49044-2058	1	S	Water Pump
39	KM-59336-2052	1		Pump Case
40	KM-92049-2111	1		Oil Seal
41	KM-13107-2097	1		Impeller Shaft
42	KM-92042-014	1		Pin
43	KM-551A0314	1		Dowel Pin
44	KM-670B1507	1		O Ring
45	KM-49063-2056	1	S	Mechanical Seal
46	KM-59256-2057	1	/P	Impeller
47	KM-11060-2288	1	S	Pump Cover Gasket
48	KM-16142-2069	1	/P	Pump Cover
49	KM-130G0675	1	S	Flanged Bolt
50	KM-130G0645	3	S	Flanged Bolt
51	KM-11012-1084	1		Cap
52	KM-11009-1145	1		Gasket
53	KM-43078-2051	1		Reservoir

Z48L
18 HP Cooling Equipment

Ref #	Part Number	Qty	S/P/F	Description
54	KM-92037-2065	2	/P	Clamp
55	KM-39062-2051	1		Cooling Hose
56	KM-130H0665	1		Flanged Bolt
57	KM-130G0870	1		Flanged Bolt

Z48L
18 HP Cylinder/Crankcase

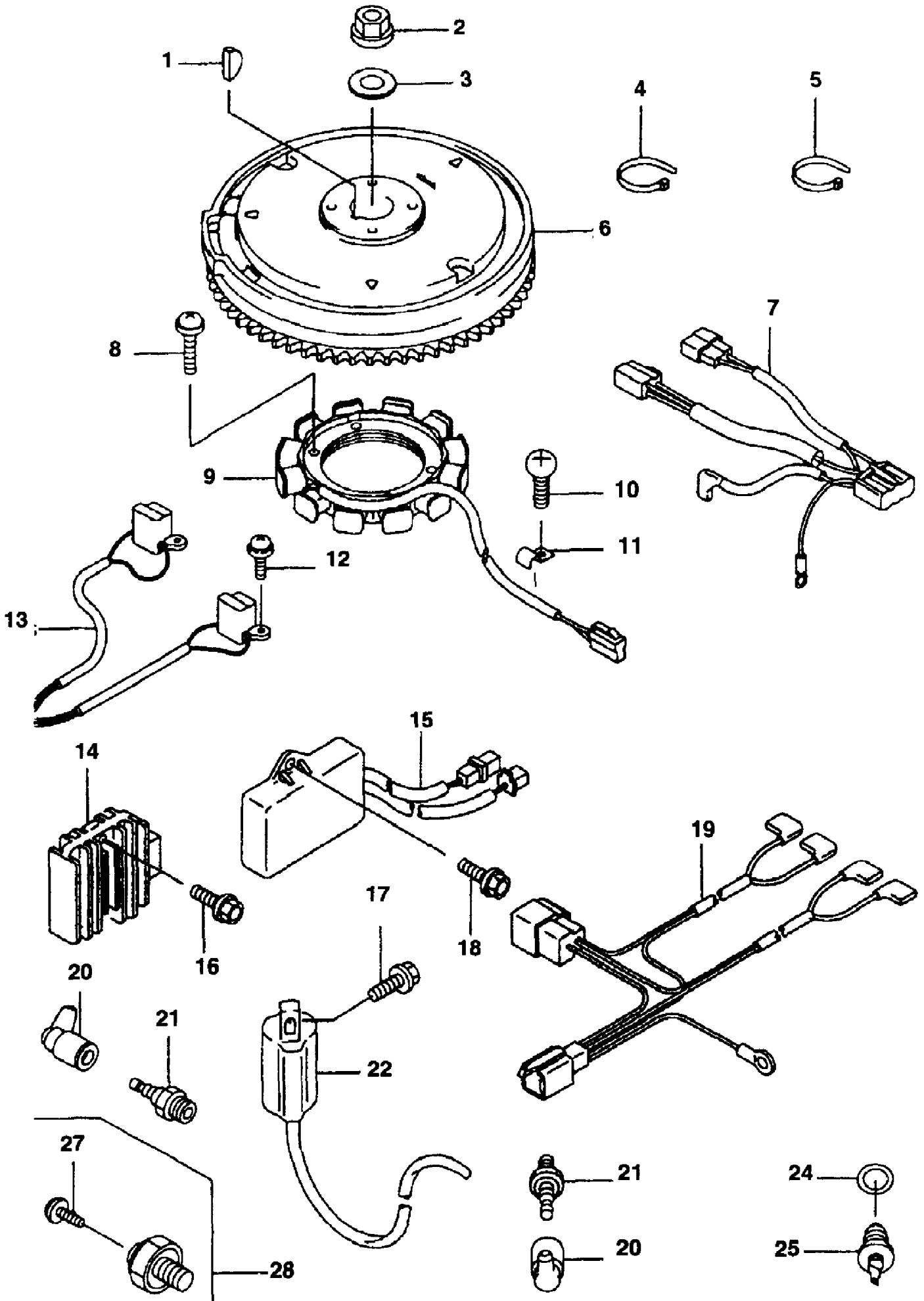


Z48L
18 HP Cylinder/Crankcase

Page 5 of 75

Ref #	Part Number	Qty	S/P/F	Description
1	KM-130B0816	4	S	Flanged Bolt
2	KM-14024-2109	1		Cover
3	KM-11060-2074	1		Gasket
4	KM-11022-2056	2		Rocker Case
5	KM-11060-2332	2	S	Gasket-Rocker Case
6	KM-92009-2308	2		Screw
7	KM-13183-2120	2		Plate
8	KM-16126-2146	2		Valve
9	KM-92049-2110	1	S	Oil Seal
10	KM-11008-2066	1	S	Head-Comp-Cylinder
11	KM-11004-2098	2		Gasket-Head
12	KM-92043-1037	6		Pin
13	KM-92004-2141	4		Stud
14	KM-92141-2110	1		Plane Bearing
15	KM-59071-2079	1		Joint
16	KM-49120-6070	1		Crankcase-Comp
17	KM-92170-2002	2		Clamp
18	KM-92143-2010	8		Collar
19	KM-92190-2145	1		Tube
20	KM-92049-2097	1		Oil Seal
21	KM-11060-2284	1	S	Gasket Crankcase Cover
22	KM-130G0865	10		Flanged Bolt
23	KM-92043-1037	6		Pin
24	KM-49015-6100	1		Cover Crankcase
25	KM-11008-6005	1	S	Head Comp Cylinder
26	KM-92143-2010	8		Collar
27	KM-130B0625	8		Flanged Bolt
28	KM-130G0845	8		Flanged Bolt
29	KM-92049-2112	1	/P	Oil Seal

Z48L
18 HP Electric Equipment



Z48L

Page 7 of 75

18 HP Electric Equipment

Ref #	Part Number	Qty	S/P/F	Description
1	KM-11009-2766	1		Gasket
2	KM-92015-2167	1		Nut
3	KM-92022-2245	1		Washer
4	KM-92072-1195	1		Band
5	KM-92072-2003	4		Band
6	KM-21193-2148	1		Flywheel Ass'y
7	KM-26030-2243	1	S	Harness
8	KM-92009-2273	1		Screw
9	KM-59031-2122	1		Charging Coil
10	KM-214B0510	1		Screw Pan
11	KM-92037-2208	1		Clamp
12	KM-225B0414	1		Pan Screw
13	KM-59026-2054	1		Pulsing Coil
14	KM-21066-2070	1		Regulator Voltage
15	KM-21119-2120	1	S	Igniter
16	KM-130G0625	2		Flanged Bolt
17	KM-130B0520	4		Flanged Bolt
18	KM-130B0614	4		Flanged Bolt
19	KM-26030-2242	1		Harness
20	KM-21130-2060	2		Spark Plug Cap
21	KM-92070-2060	2	S	Spark Plug
22	KM-21121-2083	2		Ignition Coil
24	KM-11009-2766	1		Gasket
25	KM-27010-2182	1		Switch
27	KM-241B0406	1		Pan Screw
28	KM-27010-2170	1	S	Switch