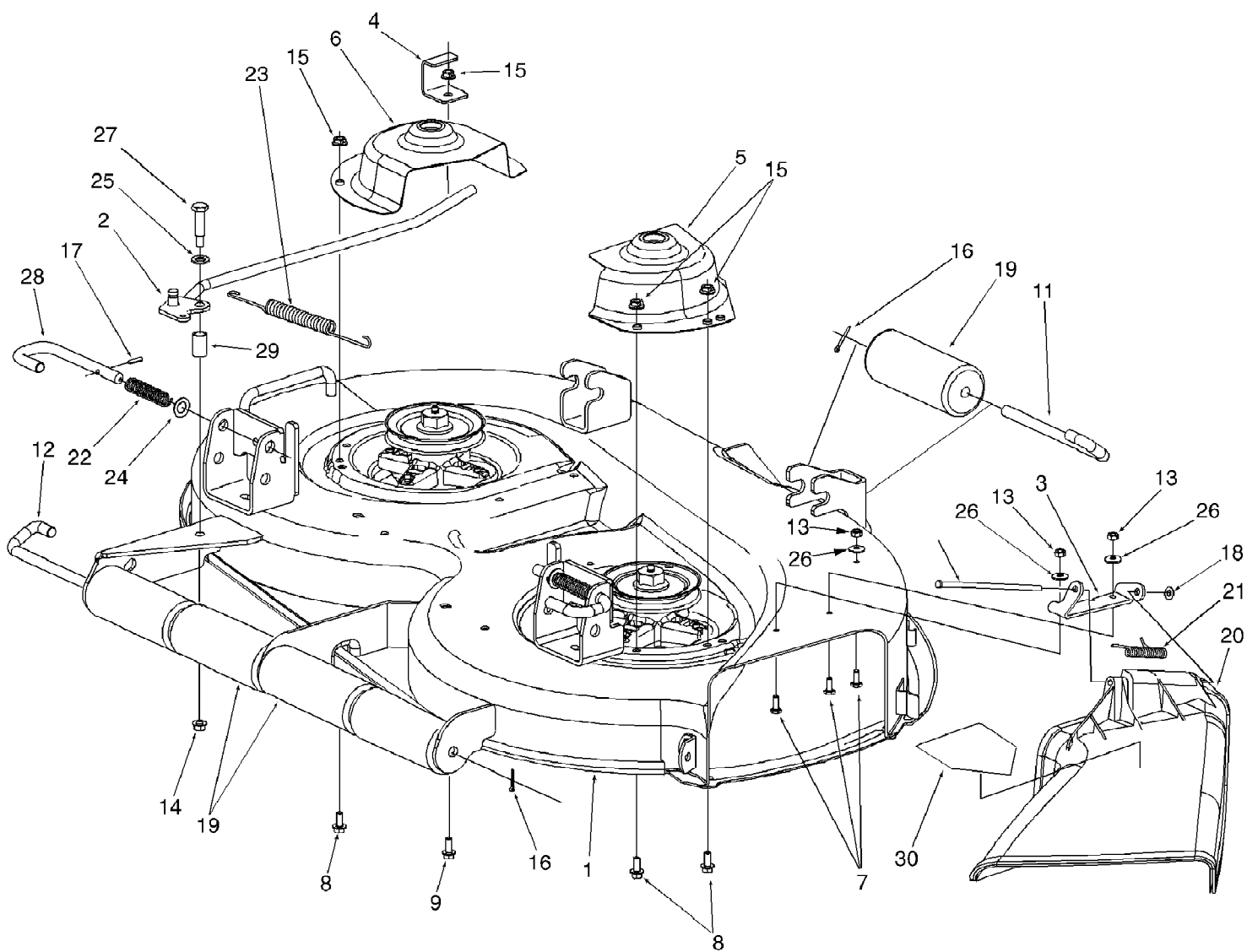


Z42
42" Deck Assembly

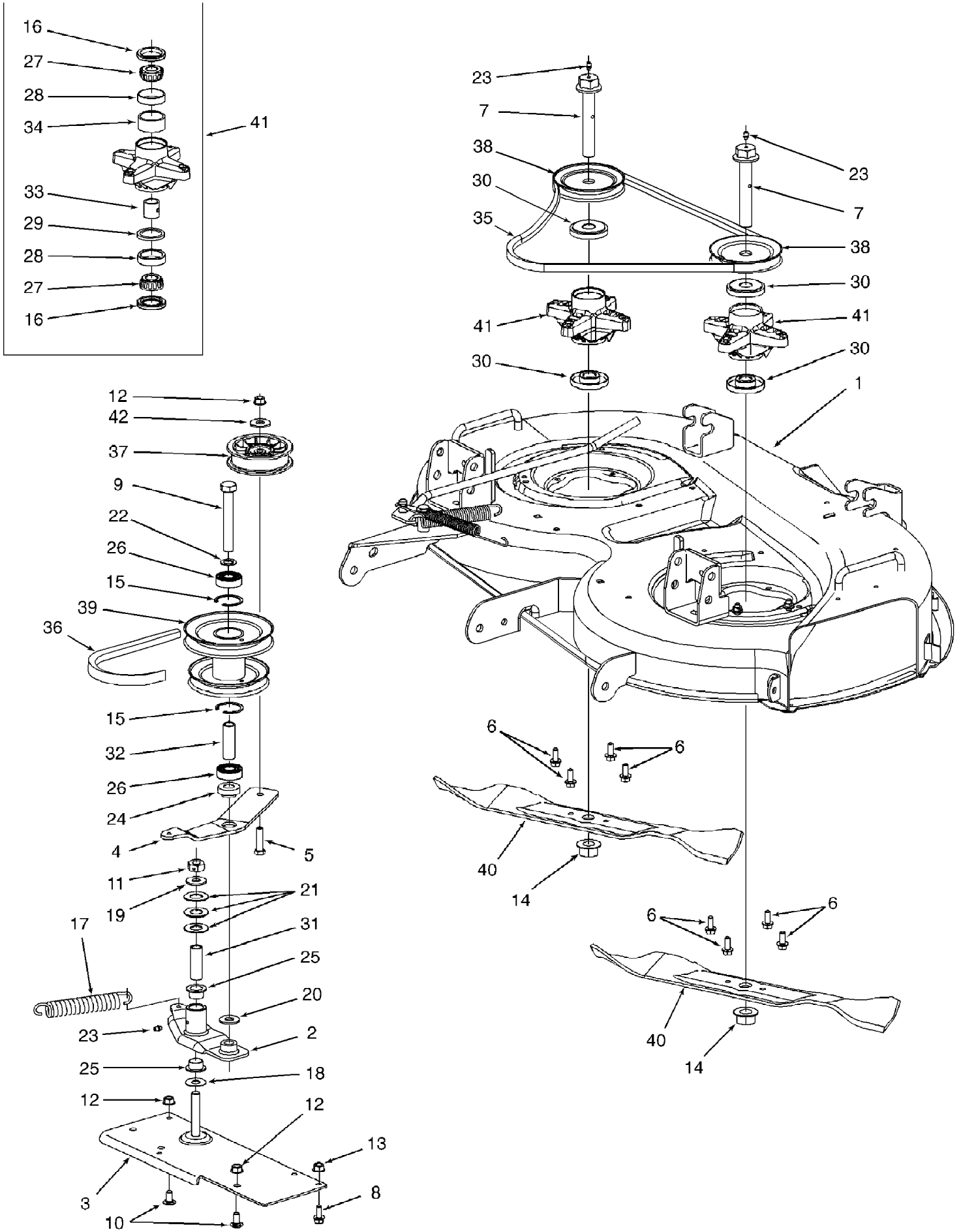


Z42
42" Deck Assembly

Page 2 of 67

Ref #	Part Number	Qty	S/P/F	Description
1	603-0316	1		Housing Ass'y, 42" Mower Deck Code 0498
	777-1426	1	S	Label, Danger, Top of Deck
	777-9192B	1	S	Label, Safety, Top of Deck
2	603-0580	1		Rod Ass'y, Engagement
3	703-1693	1	S	Bracket, Hinge Mounting
4	703-2559	1		Bracket, Stop Code 0498
5	703-3237	1	/P	Shield, RH Pulley Code 0498
6	703-2945	1		Shield, LH Pulley Code 0498
7	710-0258	3	S	Screw, Hex Cap, 1/4-20 x .62
8	710-1260	3	S	Screw, Hex Wash Hd TT Tapp 5/16-18 x .75
9	710-3008	1	/P	Screw, Hex Cap 5/16-18 x .75 GR5
?10	711-0792	1	S	Pin, Hinge, .25 Dia x 6.75 Lg
11	711-3314	1	S	Pin, Roller, 1/2 x 7.31
12	711-3358	1		Pin, 42" Deck Roller
13	712-3006	3	/P	Nut, Hex, 1/4-20
14	712-0431	1	S	Nut, Hex Flange Lock, 3/8-16
15	712-3004A	4	/P	Nut, Hex Flange Lock, 5/16-18
16	714-0115	2	S	Pin, Cotter, 1/8 x 1.0
17	715-3003	2	/P	Pin, Spirol, 3/16 x 3/4
18	726-0106	1	S	Cap, Speed Nut
19	731-3005	5	/P	Roller
20	731-1032	1	S	Deflector Ass'y, Chute (Includes Ref No 3, 10, 18 & 21)
21	732-0602	1	S	Spring, Torsion
22	732-0802	2		Spring, Compression
23	732-0851A	1	/P	Spring, Extension
24	736-0160	2	S	Washer, Flat, .536 x .93 x .05
25	736-0192	1	S	Washer, Flat, .531 x .93 x .90
26	736-0270	3	/P	Washer, Bell, .265 x .75 x .062
27	738-0213	1	/P	Bolt, Shoulder, .498 x 1.45:3/8-16
28	747-3013	2	/P	Pin, Mower Support
29	750-0151	1	S	Spacer, .550 x .750 x .965
30	777-1584	1	S	Graphic, Danger Cut Finger

Z42
42" Deck Drive And Spindle Assembly

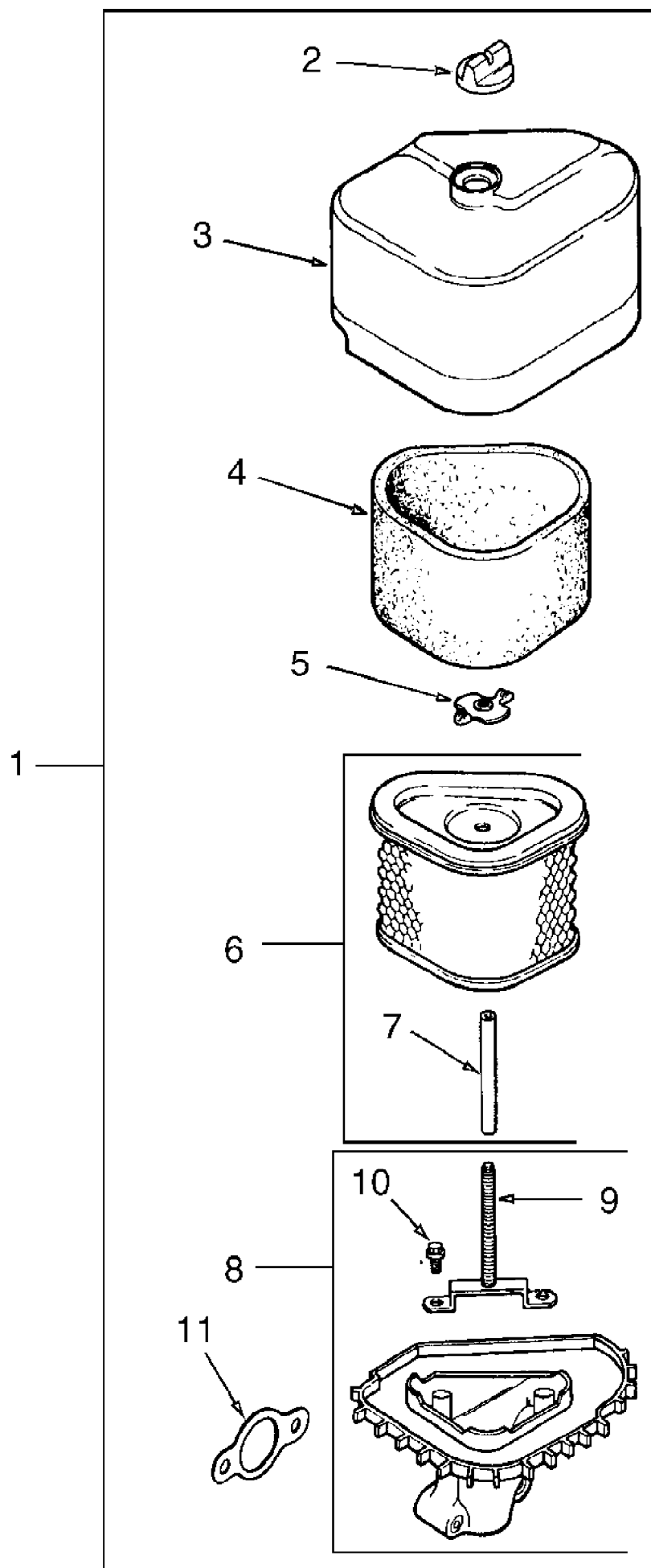


Z42

Page 4 of 67

42" Deck Drive And Spindle Assembly

Ref #	Part Number	Qty	S/P/F	Description
1	603-0316	1		Housing Ass'y, 42" Mower Deck Code 0498
2	603-0581	1		Pivot Arm Ass'y, Double Pulley Code 0498
3	603-0584	1	S	Plate Ass'y, Deck Mounting Code 0498
4	703-3147	1	S	Arm, Idler Pivot Code 0498
5	710-0520	1	/P	Screw, Hex Cap, 3/8-16 x .75 GR5
6	710-1260	8	S	Screw, Hex Wash Hd TT Tapp 5/16-18 x .75
7	710-1336	2	S	Bolt, Spindle, 3/4-16 x 4.25
8	710-3008	1	/P	Screw, Hex Cap, 5/16-18 x .75 GR5
9	710-3151	1	/P	Screw, Hex Cap, 5/16-18 x 4.25 GR5
10	710-3178	2	/P	Bolt, Carriage, 3/8-16 x .75
11	712-0239	1	S	Nut, Hex Center Lock, 1/2-20
12	712-0431	3	S	Nut, Hex Flange Lock, 3/8-16
13	712-3004A	1	/P	Nut, Hex Flange Lock, 5/16-18
14	712-3078	2	/P	Nut, Hex Flange, 3/4-16
15	716-3020	2	S	Ring, Internal Snap
16	721-3018	4	S	Seal, Oil. 1.25 x 1.874 x .25
17	732-0850	1	S	Spring, Extension, 1.0 OD x 6.14
18	736-0100	1	/P	Washer, Flat, .513 x 1.25 x .036
19	736-0179	1	S	Washer, Flat, .5 x 1.25 x .10
20	736-0187	1	/P	Washer, Flat, .64 x 1.24 x .06 Hdn
21	736-0188	3	/P	Washer, Flat, .76 x 1.49 x .06 Hdn
22	736-0290	1	/P	Washer, Flat, 5/8 x 1.0 x .063
23	737-3000	3	S	Fitting, 3/16 Drive Lube
24	738-0988	1		Spacer, Shoulder
25	741-0338	2	/P	Bearing, Flange, 3/4 ID x .52
26	741-0524	2	S	Bearing, Ball, .625 x 1.57 x .47
27	741-3028	4	S	Cone, Bearing
28	741-3029	4	/P	Cup, Bearing
29	741-3031	2	S	Spacer, Bearing
30	748-3065	4	S	Spacer, Deck Spindle
31	750-0656	1	/P	Spacer, .50 x .75 x .2.25
32	750-3164	1		Spacer, .635 x 2.0
33	750-3190	2	S	Spacer, Bearing, .78 x .963 x .7777
34	750-3191	2		Spacer, Bearing 1.615 x 1.86 x .8427
35	754-3092	1	S	Belt, Spindle, A-Section x 64.1
36	754-3091	1	S	Belt, PTO, B-Section x 70.0
37	756-0627	1	S	Pulley, Flat Idler, 3.5 OD
38	756-3089	2		V-Pulley, 4.0 Dia
39	756-3103	1		Pulley, Double
40	759-3830	2		Blade, 3 in One, 21.20 Lg
	759-3969	2		Blade, Low Lift
41	618-3129	2	S	Spindle Assembly, Blade (Includes Ref Nos 16, 27, 28, 29, 33 & 34)
42	736-0258	1	/P	Washer, Flat



Z42

Air Intake And Filter

Ref #	Part Number	Qty	S/P/F	Description
1	KH-12-743-04	1	S	Kit, Air Cleaner (Includes 2-11)
2	KH-25-341-03	1	/P	Knob, Air Cleaner Cover
3	KH-12-096-24	1	S	Cover, Air Cleaner
4	KH-12-083-08	1	S	Element, Precleaner
5	KH-12-100-01	1	/P	Wing Nut
6	KH-12-083-05	1	S	Element, Air Cleaner (Includes 7)
7	KH-12-032-10	1		Seal
8	KH-12-094-05	1		Base, Air Cleaner (Includes 9-10)
9	KH-12-072-05	1		Stud, M6 x 1.0 x 66
10	KH-12-086-01	2		Screw, #1 Hi-Lo Thread Forming
11	KH-12-041-02	1	/P	Gasket, Air Cleaner