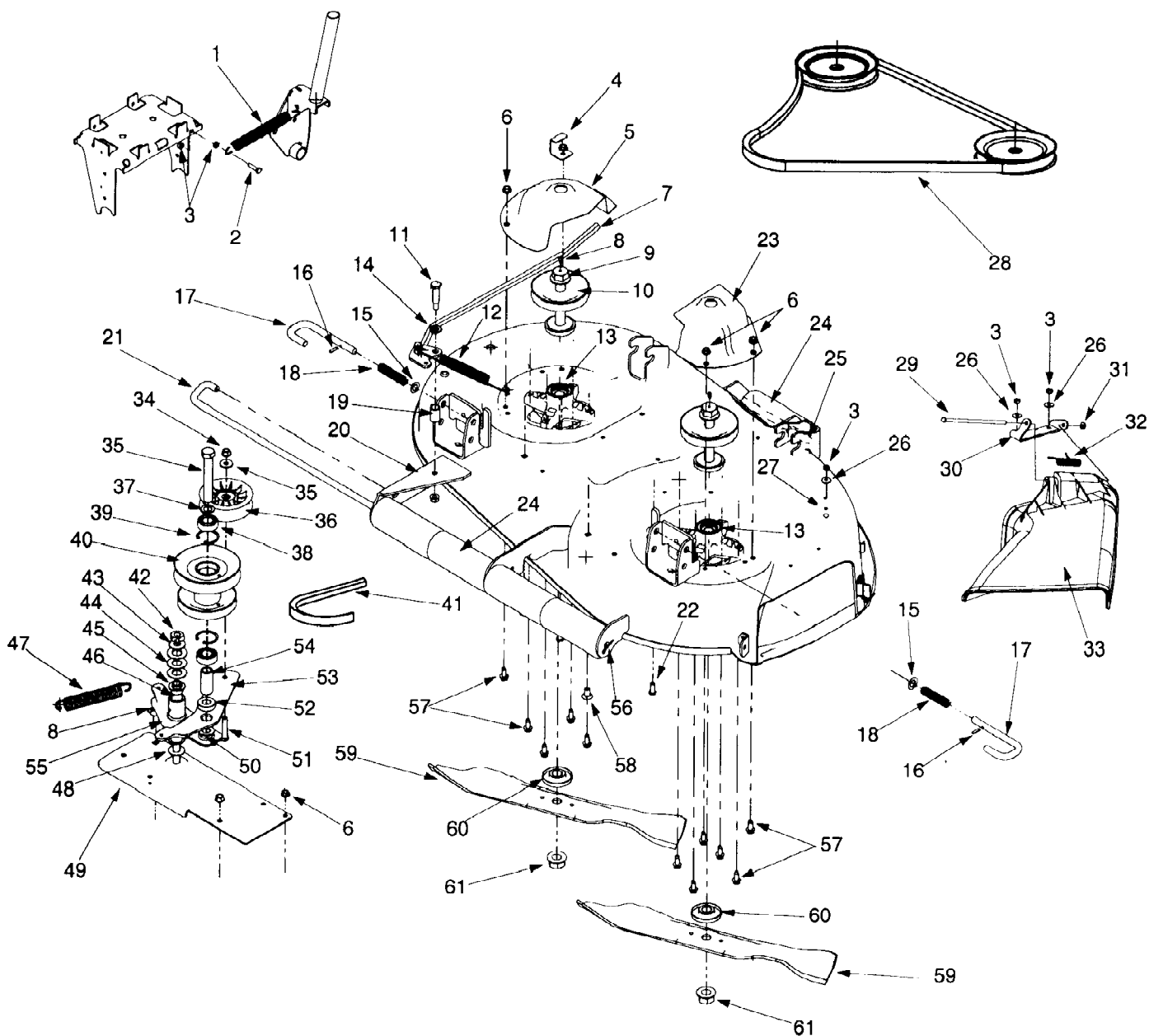


Z42 (1999)
42 inch Deck Assembly



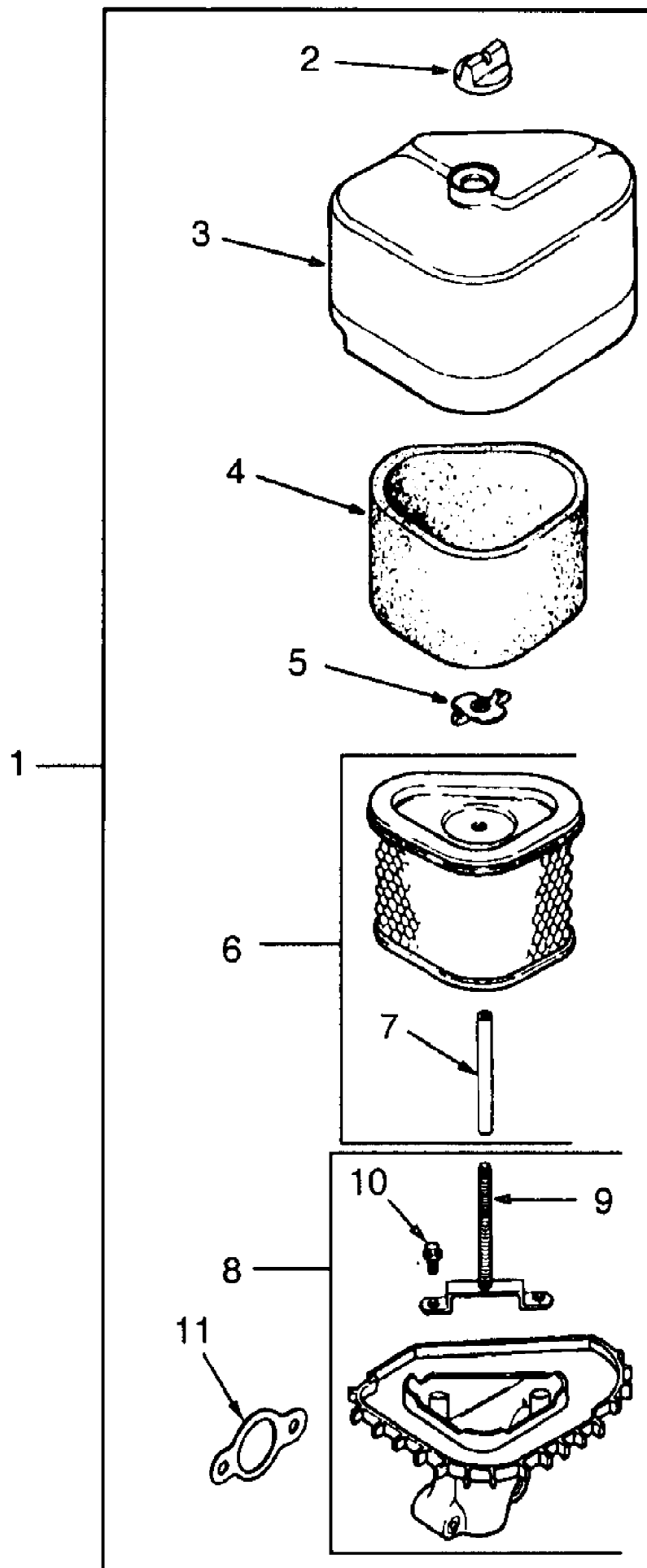
Z42 (1999)
42 inch Deck Assembly

Page 2 of 55

Ref #	Part Number	Qty	S/P/F	Description
1	732-0556	1	S	Extension Spring .94 OD x 7.57 Lg
2	710-0597	1	/P	Hex Cap Screw 1/4-20 x 1.0
3	712-3006	1	/P	Hex Nut 1/4-20
4	703-2559	1		Stop Bracket
5	703-2945	1		LH Pulley Cover
6	712-3004A	1	/P	Flange Lock Nut 5/16-18
7	603-0580	1		Engage Rod Ass'y
8	737-3000	1	S	Grease Fitting 3/16
9	710-1336	1	S	Spindle Bolt 3/4-16 x 4.25
10	756-3089	1		Pulley 4.0 Dia
11	738-0213	1	/P	Shoulder Screw .498 x 1.45 Lg
12	732-0851A	1	/P	Extension Spring .75 OD x 8.63 Lg
13	618-3129	1	S	Deck Spindle Ass'y
14	736-0192	1	S	Flat Washer .531 OD x .93 OD
15	736-0160	1	S	Flat Washer .536 ID x .930 OD
16	715-3003	1	/P	Spirol Pin
17	747-3013	1	/P	Support Mower Pin
18	732-0802	1		Compression Spring .63 OD x 6.3 Lg
19	750-0151	1	S	Spacer .550 ID x .750 OD
20	603-0316	1		Deck Ass'y
21	711-3358	1		Deck Roller Pin
22	710-3008	1	/P	Hex Cap Screw 5/16-18 x .75
23	703-3237	1	/P	RH Pulley Cover
24	731-3005	1	/P	Roller
25	711-3314	1	S	Roller Pin
26	736-0270	1	/P	Bell Washer .265 OD x .75 ID
27	710-0751	1	/P	Hex Cap Screw 1/4-20 x .620
28	754-3092	1	S	V-Belt
29	711-0792	1	S	Hinge Pin .25 Dia. x 6.75 Lg
30	703-1693	1	S	Hinge Mounting Bracket
31	726-0106	1	S	Speed Cap Nut
32	732-0602	1	S	Torsion Spring
33	731-1032	1	S	Deflector Ass'y Chute
34	712-0431	1	S	Flange Lock Nut 3/8-16
35	736-0258	1	/P	Flat Washer .385 OD x 1.0 OD
35	710-3151A	1	/P	BOLT-HEX 5/8-18X4
36	756-0627	1	S	Flat Idler Pulley 3.5 OD
37	736-0290	1	/P	Flat Washer 5/8 ID x 1.0 OD
38	741-0524	1	S	Bearing .625 ID x 1.574 OD
39	716-3020	1	S	Snap Ring
40	756-3103	1		Pulley
41	754-3091	1	S	V-Belt
42	712-0239	1	S	Lock Nut 1/2-20
43	736-0179	1	S	Flat Washer 1/2 ID x 1.25 OD
44	736-0188	1	/P	Flat Washer .76 ID x 1.49 OD
45	750-0656	1	/P	Spacer .50 OD x .75 ID
46	741-0338	1	/P	Flange Bearing 3/4 ID x .52 Lg
47	732-0850	1	S	Extension Spring 1.0 OD x 6.140 Lg
48	736-0100	1	/P	Flat Washer .531 ID x 1.25 OD
49	603-0584	1	S	Deck Plate Ass'y
50	736-0187	1	/P	Flat Washer .64 ID x 1.24 OD
51	710-3037	1	S	Hex Cap Screw 3/8-16 x 1.75
52	738-0988	1		Shoulder Spacer .875 Dia x .245

Z42 (1999)
42 inch Deck Assembly

Ref #	Part Number	Qty	S/P/F	Description
53	703-3147	1	S	Idler Pivot Arm
54	750-3164	1		Spacer .635 ID x 2.0 Lg
55	603-0581	1		Pivot Arm Pulley Ass'y
56	714-0115	1	S	Cotter Pin
57	710-1260A	1	/P	Hex Washer Screw 5/16-18 x .75
58	710-3178	1	/P	Carriage Bolt 3/8-16 x .75
59	759-3830	1		Blade
60	748-3065	1	S	Deck Spindle Spacer
61	712-3078	1	/P	Hex Flange Nut 3/4-16



Z42 (1999)

Air Intake And Filter

Ref #	Part Number	Qty	S/P/F	Description
1	KH-12-743-04	1	S	Kit, Air Cleaner (Includes 2-11)
2	KH-25-341-03	1	/P	Knob, Air Cleaner Cover
3	KH-12-096-24	1	S	Cover, Air Cleaner
4	KH-12-083-08	1	S	Element, Precleaner
5	KH-12-100-01	1	/P	Wing Nut
6	KH-12-083-05	1	S	Element, Air Cleaner (Includes 7)
7	KH-12-032-10	1		Seal
8	KH-12-094-05	1		Base, Air Cleaner (Includes 9-10)
9	KH-12-072-05	1		Stud, M6 x 1.0 x 66
10	KH-12-086-01	1		Screw, #1 Hi-Lo Thread Forming
11	KH-12-041-02	1	/P	Gasket, Air Cleaner