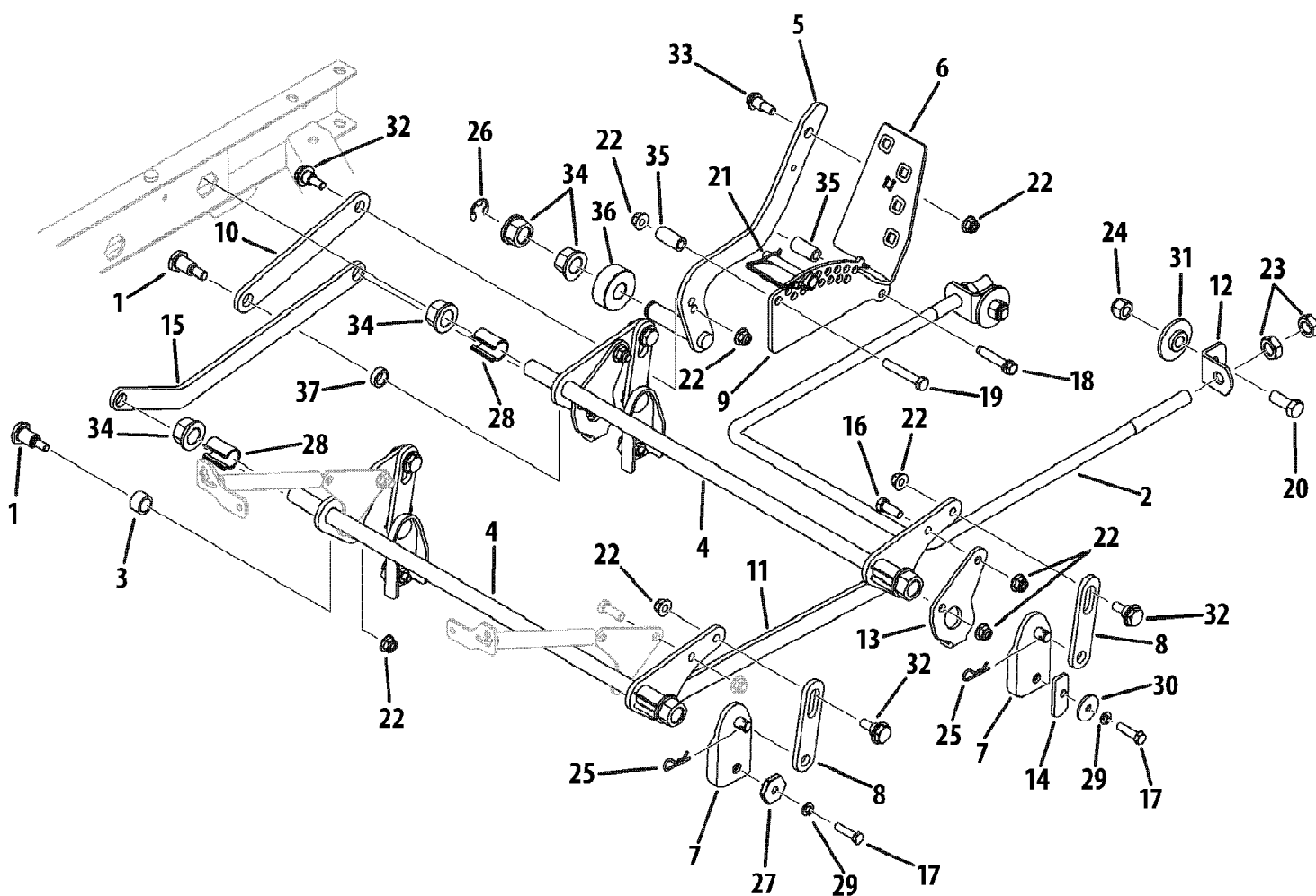


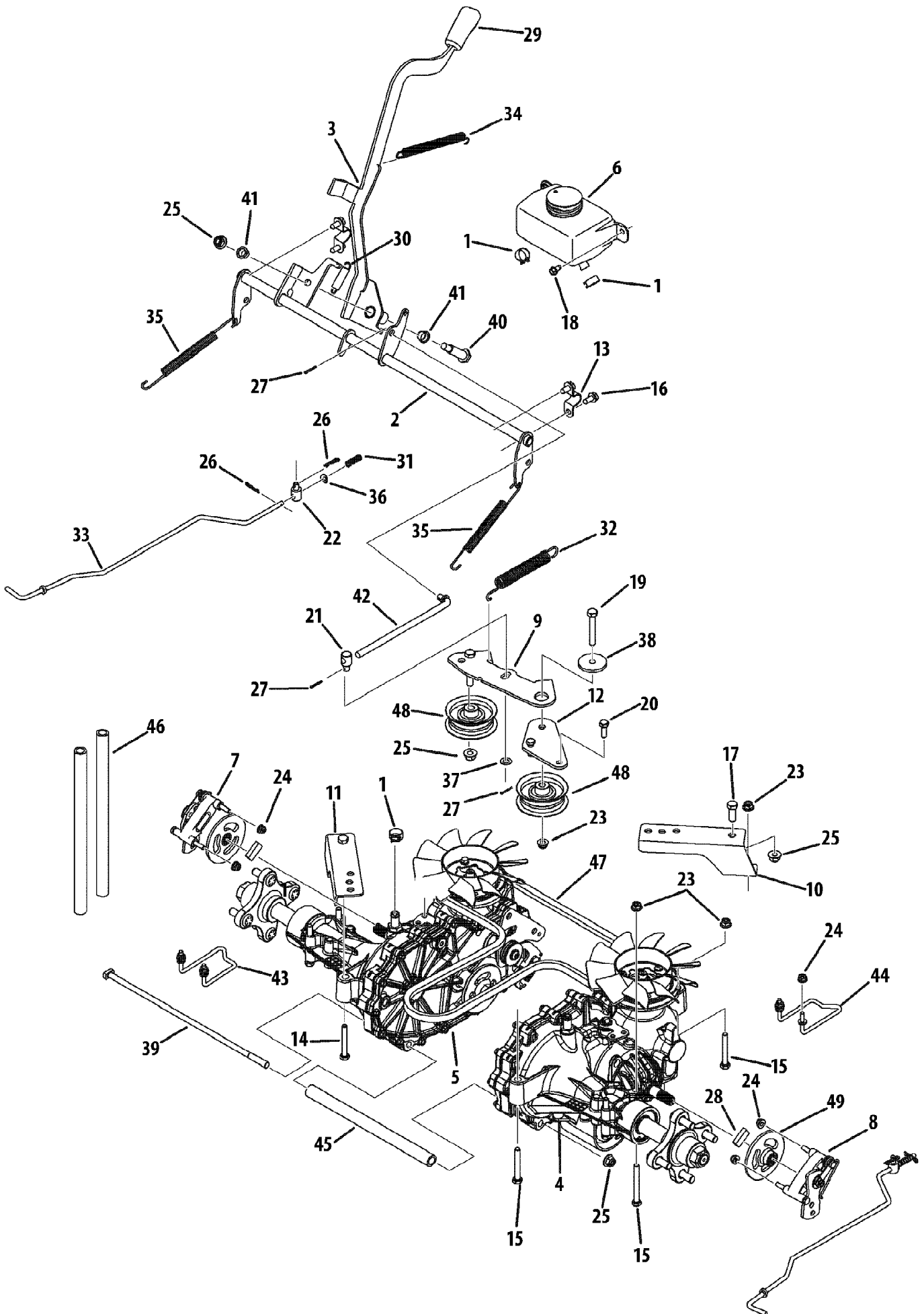
Z-Force S 60
Deck Lift



Z-Force S 60
Deck Lift

Page 2 of 50

Ref #	Part Number	Qty	S/P/F	Description
1	01003536	1		Shoulder Screw, .625 x .830
2	02002879	1		Lift Rod
3	02005535	1		Spacer, .632 x .877 x .548
4	603-04741	1	/P	Rock Shaft Assembly
5	603-04747-0637	1		Foot Lift Pivot Assembly For models built 6.6.2010 & Before
5	603-04831	1		Foot Lift Pivot Assembly For models built 6.7.2010 & After
6	603-04748-0637	1		Lift Pedal Assembly For models built 6.6.2010 & Before
6	759-04272	1		Lift Pedal Service Kit For models built 6.6.2010 & Before
6	603-04828-0637	1		Lift Pedal Assembly For models built 6.7.2010 & After
6	732-04288	1		Torsion Spring For models built 6.7.2010 & After
6	738-0966A	1	/P	Screw .50X.925 For models built 6.7.2010 & After
7	603-04771-4021	1		Deck Lift Adjustment Bracket
8	703-07489	1	/P	Lift Link Bracket
9	703-07540-0637	1		Index Plate
10	703-07552	1	/P	Pedal Link Plate
11	703-07554-0637	1		Mide Link Plate
12	703-07639-0637	1		Front Hanger Rod Bracket Mount
13	703-07663-4021	1		Deck Up Stop Bracket
14	703-07672-0637	1		Deck Lift Square Spacer
15	703-07770-0637	1		Mid-Angled Link Plate
16	710-0514	1	/P	Hex Screw, 3.8-16 x 1.00
17	710-0528	1	/P	Hex Screw, 5.16-18 x 1.25
18	710-1008	1		Hex Washer Screw, 3.8-16 x 1.875
19	710-3011	1	/P	Hex Screw, 3.8-16 x 2.25
20	710-3032	1	/P	Hex Screw, 1.2-13 x 1.25
21	911-04160	1	/P	Lock Pin, .375 x 2.25
22	712-04065	1	/P	Flange Lock Nut, 3.8-16
23	912-3015	1	/P	Jam Nut, 5.8-11
24	712-3083	1	/P	Hex Lock Nut, 1.2-13
25	914-0145	1	/P	Click Pin, .092 x 1.64
26	916-0231	1	/P	E-Type Ring, .750
27	917-04074	1	/P	Adjustable Deck Gear
28	731-06848	1		Spacer, .791 x .950 x 1.35
29	936-0119	1	/P	Lock Washer, 5.16
30	736-0343	1	/P	Flat Washer, .330 x 1.25 x .120
31	738-04337A	1		Shoulder Spacer, .9790 x .2025
32	738-04428	1		Shoulder Spacer, 3.8-16 x .562 x .360
33	738-1007	1		Shoulder Screw, 3.8-16 x .50 x .50
34	941-0598	1	/P	Hex Flange Bearing, .752
35	750-04215	1		Spacer, .375 x .625 x 1.290
36	750-05184	1	/P	Spacer, .760 x 2.000 x .790
37	750-05362	1		Spacer, .632 x .877 x .281



Z-Force S 60
Drive System 60-Inch Deck

Page 4 of 50

Ref #	Part Number	Qty	S/P/F	Description
1	02001111	1	/P	Hose Clamp
2	603-04757	1		Brake Shaft Assembly
3	603-04773	1		Brake Handle Assembly
4	918-04875	1	/P	RH Transmission Assembly
5	918-04876	1	/P	LH Transmission Assembly
6	931-04223	1	/P	Expansion Tank Assembly
7	961-04053	1	/P	LH Brake Assembly
8	961-04054	1	/P	RH Brake Assembly
9	703-07318A-0637	1	/P	Idler Bracket
10	703-07367-0637	1		RH Mount Bracket
11	703-07368-0637	1		LH Mount Bracket
12	703-07484-0637	1		Idler Mount Plate
13	703-07593	1		Shaft Mount Bracket
14	710-0176	1	/P	Hex Screw, 5.16-18 x 2.75
15	710-0395	1	/P	Hex Screw, 5.16-18 x 2.25
16	710-04484	1		Hex Washer Screw, 5.16-18 x .750
17	710-0514	1	/P	Hex Screw, 3.8-16 x 1.00
18	710-0599	1	/P	Hex Washer Screw, 1.4-20 x .500
19	710-3011	1	/P	Hex Screw, 3.8-16 x 2.25
20	710-3038	1	/P	Hex Screw, 5.16-18 x .875
21	711-0832	1	S	Ferrule, 3.8-24 x .375
22	711-1530	1		Ferrule, .325 x .312
23	712-04063	1	/P	Flange Lock Nut, 5.16-18
24	712-04064	1	/P	Flange Lock Nut, 1.4-20
25	712-04065	1	/P	Flange Lock Nut, 3.8-16
26	914-0104	1	/P	Cotter Pin, .072 x 1.13
27	914-0507	1	/P	Cotter Pin, 3.32 x .750
28	917-0678	1	/P	Brake Pad
29	731-04735	1		Selector Handle
30	932-0209	1	/P	Extension Spring, .48 x 2.03
31	732-0335	1		Compression Spring, .405 x 1.17
32	732-04229	1		Extension Spring, .75 x 6.02
33	732-04688A	1	/P	Transmission Bypass Lever Wire
34	732-0963	1		Extension Spring, .50 x .6.37
35	732-0994	1		Extension Spring, .500 x 7.0
36	936-0175	1	/P	Spring Washer, .265 x .562 x .025
37	936-0314	1	/P	Thrust Washer, .375 x .70 x .030
38	738-04392	1		Shoulder Spacer, .884 x .190
39	738-04423	1		Rod, .328 x 14.00
40	938-0533	1	/P	Shoulder Screw, .498 x 1.635
41	741-0491	1		Flange Bearing, .500 x .34
42	747-05139A	1		Disenage Brake Rod
43	747-05277	1		LH Rod Keeper
44	747-05278	1		RH Rod Keeper
45	750-05346	1		Transmission Spacer, 10.5
46	751-11531	1		Fuel Hose, 1.2 x 12.00
47	954-04250	1	/P	Belt
48	756-04224	1	/P	Flat Idler Pulley, 2.75
49	761-04061	1		Brake Disc

