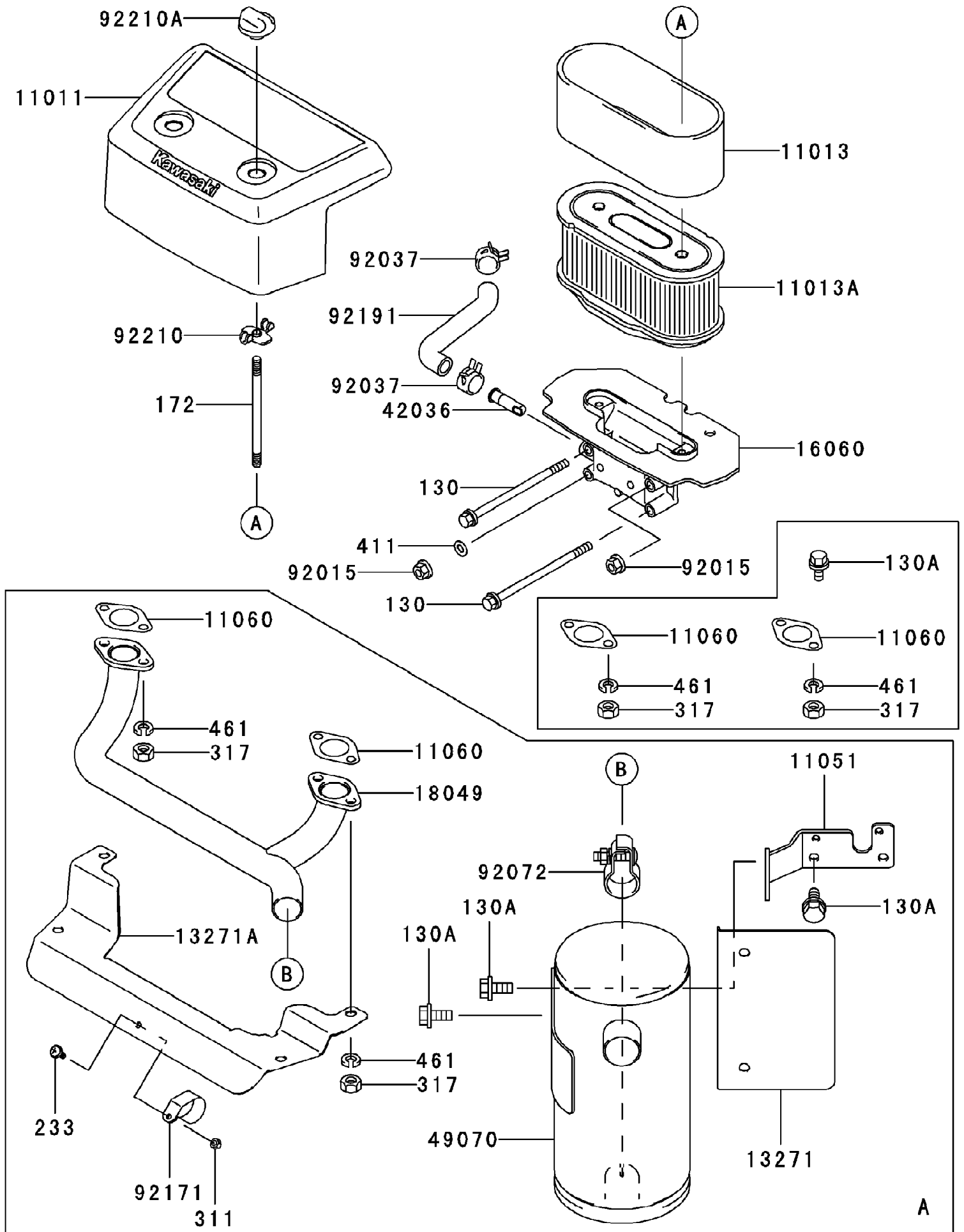


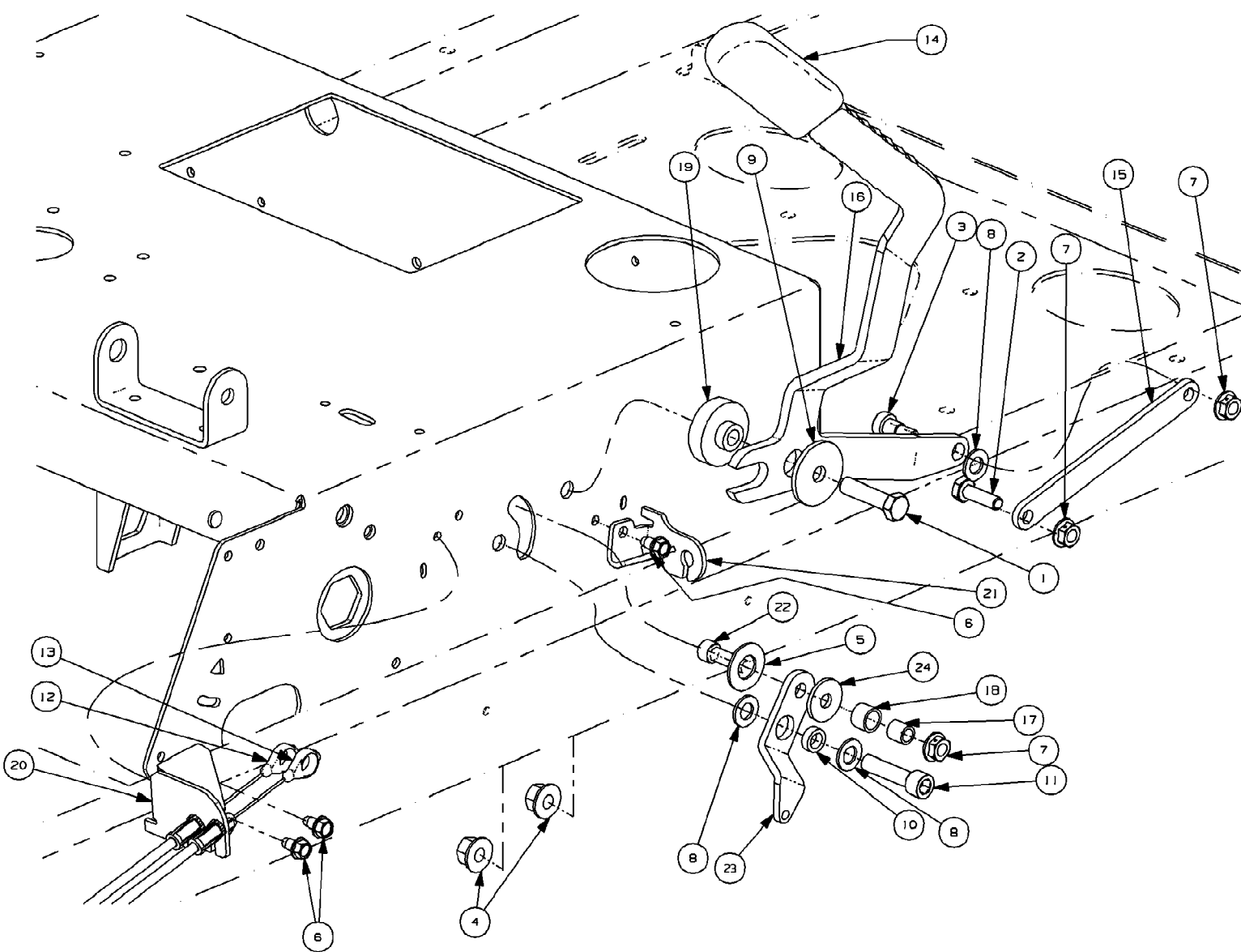
Z-Force 60 KW 17AI3AGJ
Air Filter & Muffler



Z-Force 60 KW 17AI3AGJ
Air Filter & Muffler

Ref #	Part Number	Qty	S/P/F	Description
11011	KM-11011-7003	1	S	CASE-AIR FILTER
11013	KM-11013-7009	1		ELEMENT-AIR FILTER
11013A	KM-11013-7010	1	S	ELEMENT-AIR FILTER
11060	KM-11060-7016	2		GASKET,MUFFLER
16060	KM-16060-7001	1	/P	PIPE-INTAKE
42036	KM-42036-7002	1		SLEEVE
92015	KM-92015-1193	2		NUT
92037	KM-92037-2079	2	S	CLAMP
92191	KM-92191-7006	1		TUBE
92210	KM-92210-7004	2		NUT
92210A	KM-92210-7008	2	S	NUT
130	KM-130B06105	2	S	BOLT-FLANGED
130A	KM-130B0816	1	S	BOLT-FLANGED
172	KM-172G0690	2	S	BOLT-STUD
317	KM-317R0800	4	/P	NUT-HEX-SMALL
411	KM-411B0600	1		WASHER-PLAIN
461	KM-461F0800	4	S	WASHER-SPRING

Z-Force 60 KW 17AI3AGJ
Brake Assembly SN 1D237 & After



Z-Force 60 KW 17AI3AGJ
 Brake Assembly SN 1D237 & After

Ref #	Part Number	Qty	S/P/F	Description
1	00010980	1		Hex Head Cap Screw, 3/8-16 x 1.50
2	00012180	1		Hex Head Cap Screw, 5/16-18 x 1.00
3	00013733	1		Shoulder Bolt, 3/8 x 3/8
4	00022560	2		Hex Nut, 3/8-16 Flange Lock
5	01000101	1		Slide Washer
6	01000628	3	S	Screw, TT, 1/4-20, 0.5, Hex Index Washer
7	01000635	3	S	Nut, 5/16-18, Flange Lock
8	01002710	3		Washer, .375 x .738 x .063
9	01009253	1		Flat Washer, .390 x 1.5 x .134
10	02002885	1		Spacer, .380 x .563 x .196
11	02003717	1		Sockethead Capscrew, 3/8-16 x 1.50
12	02003728	1		Left Hand Brake Cable
13	02003729	1		Right Hand Brake Cable
14	02003740	1		Parking Brake Grip
15	02003831	1		Brake Link Plate
16	02003832	1	/P	Brake Handle
17	02003839	1		Spacer, .322 ID x .438 OD x .44
18	02003840	1		Spacer, .442 ID x .563 OD x .405
19	02004045	1		Step Hub, .379 x 1.5 x .257/.400
20	02004122	1		Brake Cable Mounting Bracket
21	02004123	1		Brake Cable Mounting Bracket
22	02004124	1		Sockethead Capscrew, 5/16-18 x 1.00
23	02004174	1		Lockout Lever Plate
24	736-3089	1	/P	Washer, .345 x 1.00 x .100

Z-Force 60 KW 17AI3AGJ
Carburetor

