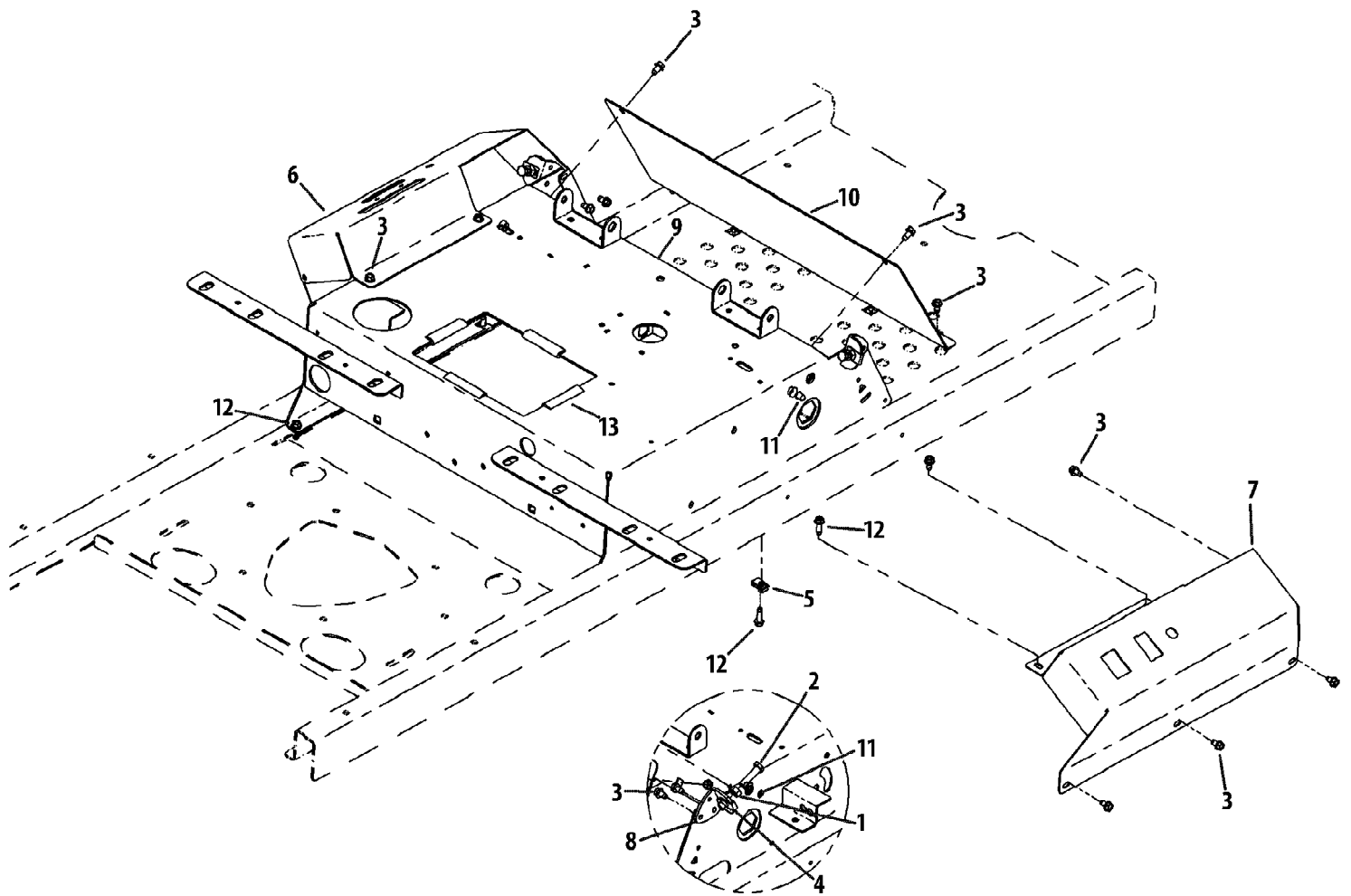
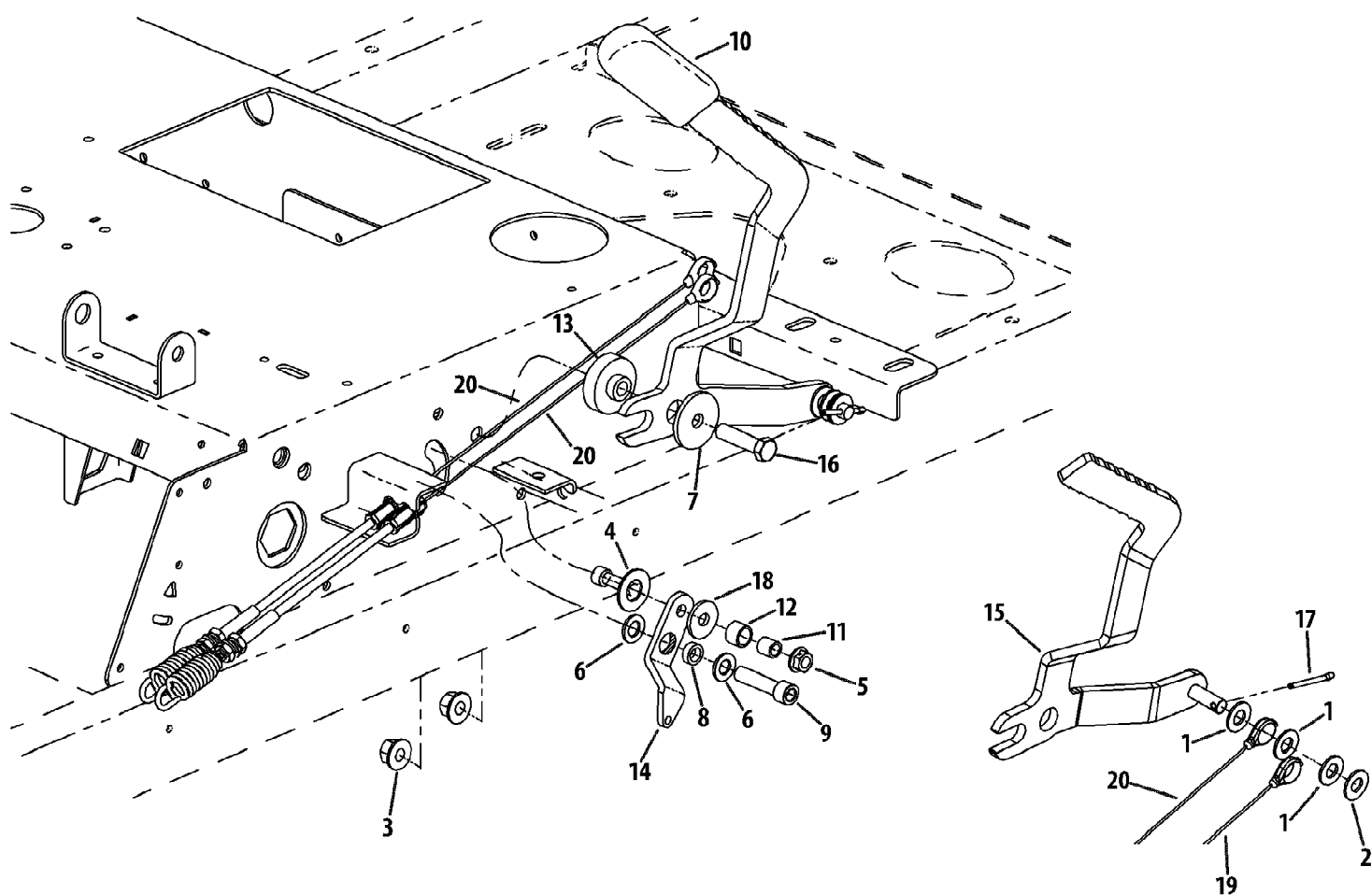


Z-Force 54 Kohler 17BF3AGX
Body Assembly



Z-Force 54 Kohler 17BF3AGX
Body Assembly

Ref #	Part Number	Qty	S/P/F	Description
1	00012166	1		Hex Nut, 5.16-18
2	00013116	1		HHCS, 5.16-18 x 1-1.4
3	710-0599	1	/P	Screw, 1.4-20 x 1/2
4	01003563	1		U-Nut, 5.16-18
5	01008539P	1	/P	U-Nut, 1.4-20
6	02002735-4021	1	/P	Left Hand Control Console
7	02002736-4021	1	/P	Right Hand Control Console
8	02002761	1		Forward/Reverse Stop Bracket
9	680-00048-4021	1		Control Housing Weldment
10	703-07000-4021	1		Front Panel
11	710-04484	1		Self-Tapping Screw 5.16-18 x .750
12	710-0642	1	/P	Self-Tapping Screw, 1.4-20 x .75
13	735-04130	1	/P	Battery Edge Trim



Z-Force 54 Kohler 17BF3AGX
 Brake Assembly

Ref #	Part Number	Qty	S/P/F	Description
1	00005530	1		Flat Washer, .406 x .812 x .062
2	00012180	1		Flat Washer, 3.8
3	00022560	1		Hex Nut, 3.8-16 Flange Lock
4	01000101	1		Slide Washer
5	712-3004A	1	/P	Flange Lock Nut, 5.16-18
6	01002710	1		Washer, .375 x .738 x .063
7	01009253	1		Flat Washer, .390 x 1.5 x .134
8	02002885	1		Spacer, .380 x .563 x .196
9	02003717	1		Sockethead Capscrew, 3.8-16 x 1.50
10	02003740	1		Parking Brake Grip
11	02003839	1		Spacer, .322 x .438 x .44
12	02003840	1		Spacer, .442 x .563 x .405
13	02004045	1		Step Hub, .379 x 1.5 x .257/.400
14	02004174	1		Lockout Lever Plate
15	680-00049	1		Brake Handle
16	710-0520	1	/P	Hex Head Cap Screw, 3.8-16 x 1.50
17	914-0474	1	/P	Cotter Pin, 1.8 x .75
18	736-3089	1	/P	Washer, .345 x 1.00 x .100
19	946-04564	1	/P	Left Hand Brake Cable
20	946-04565	1	/P	Right Hand Brake Cable

Z-Force 54 Kohler 17BF3AGX
Deck Assembly

