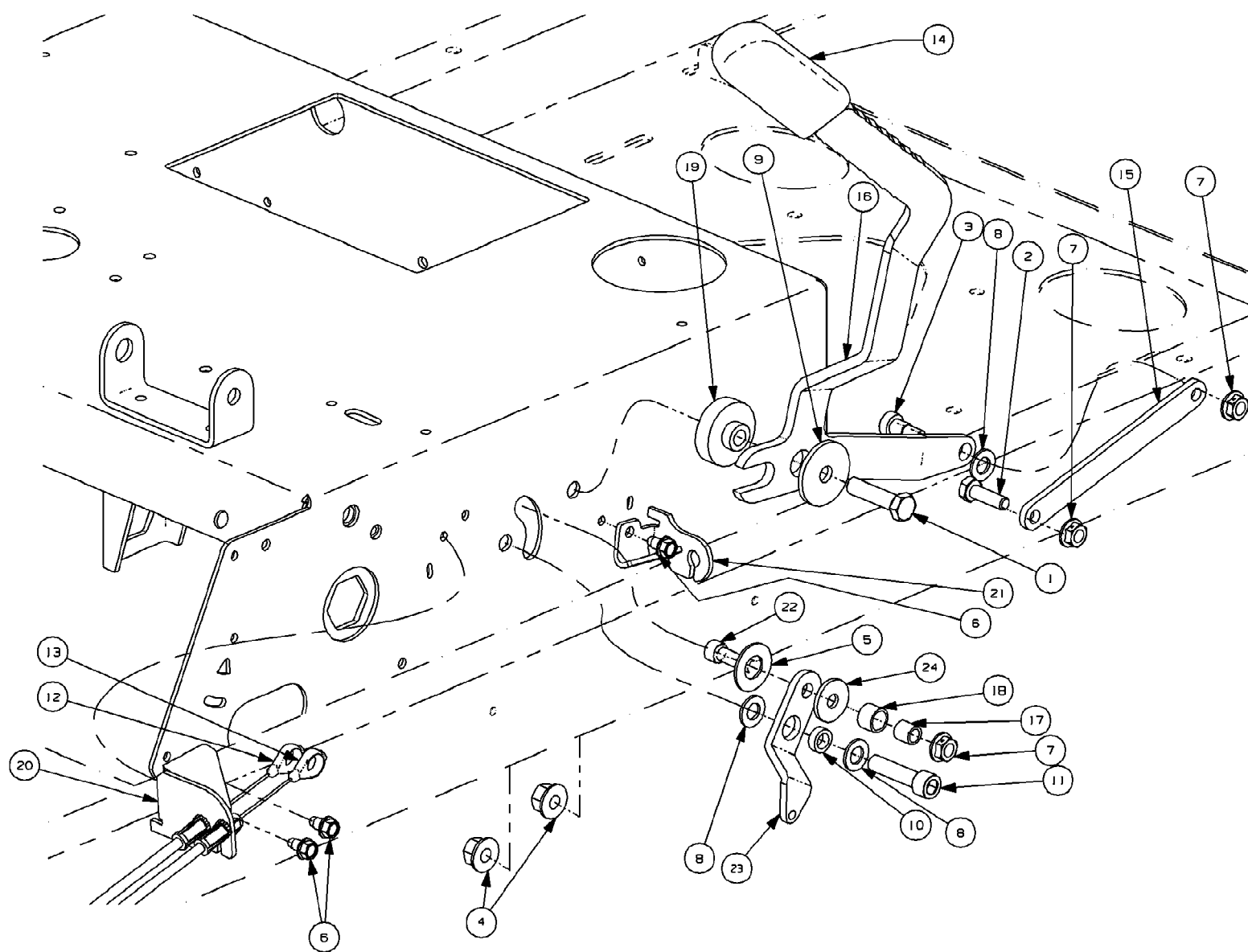
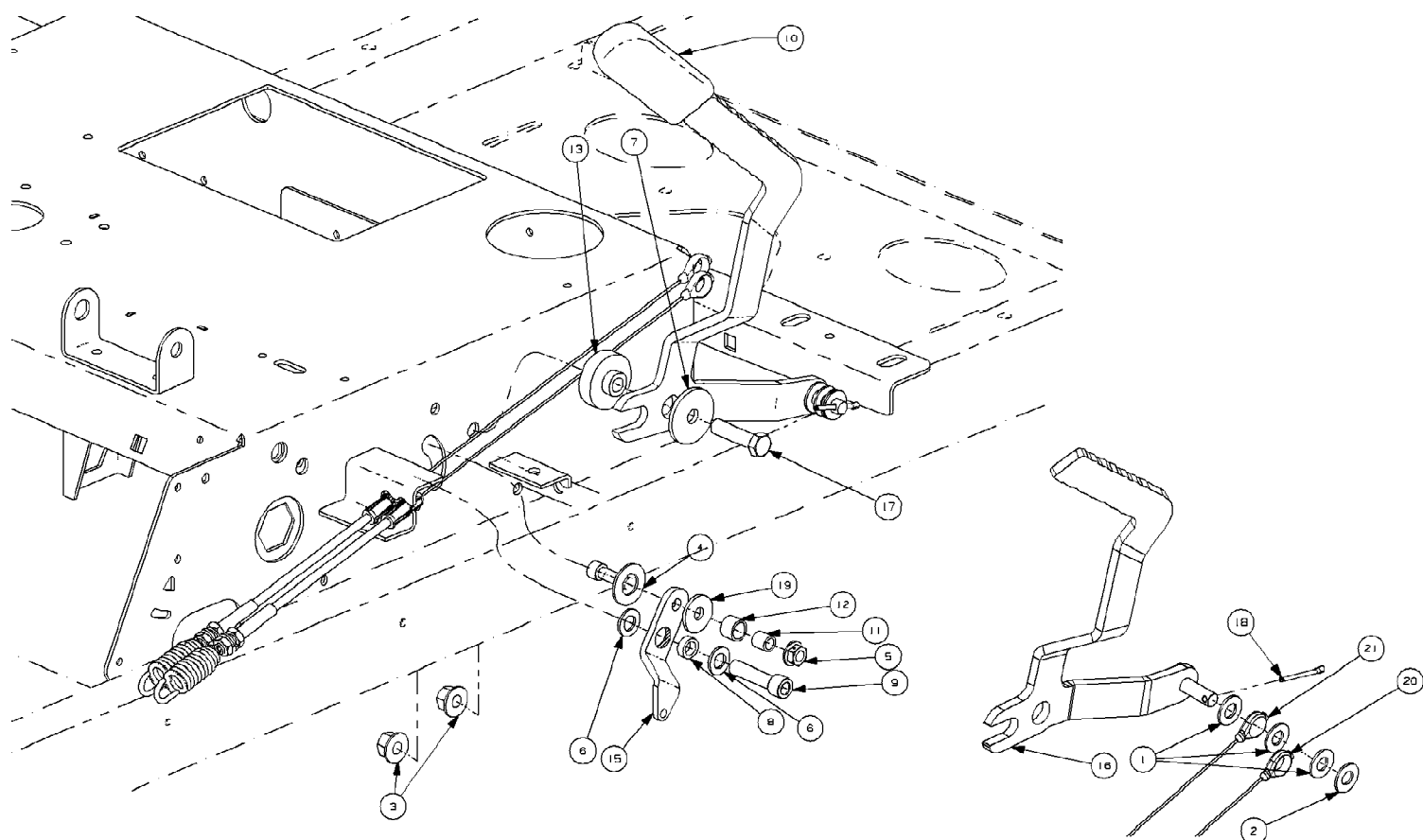


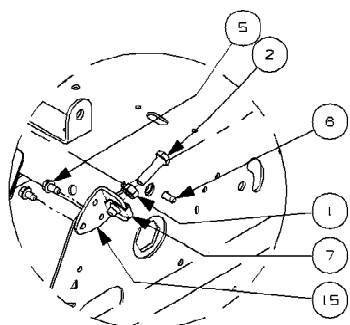
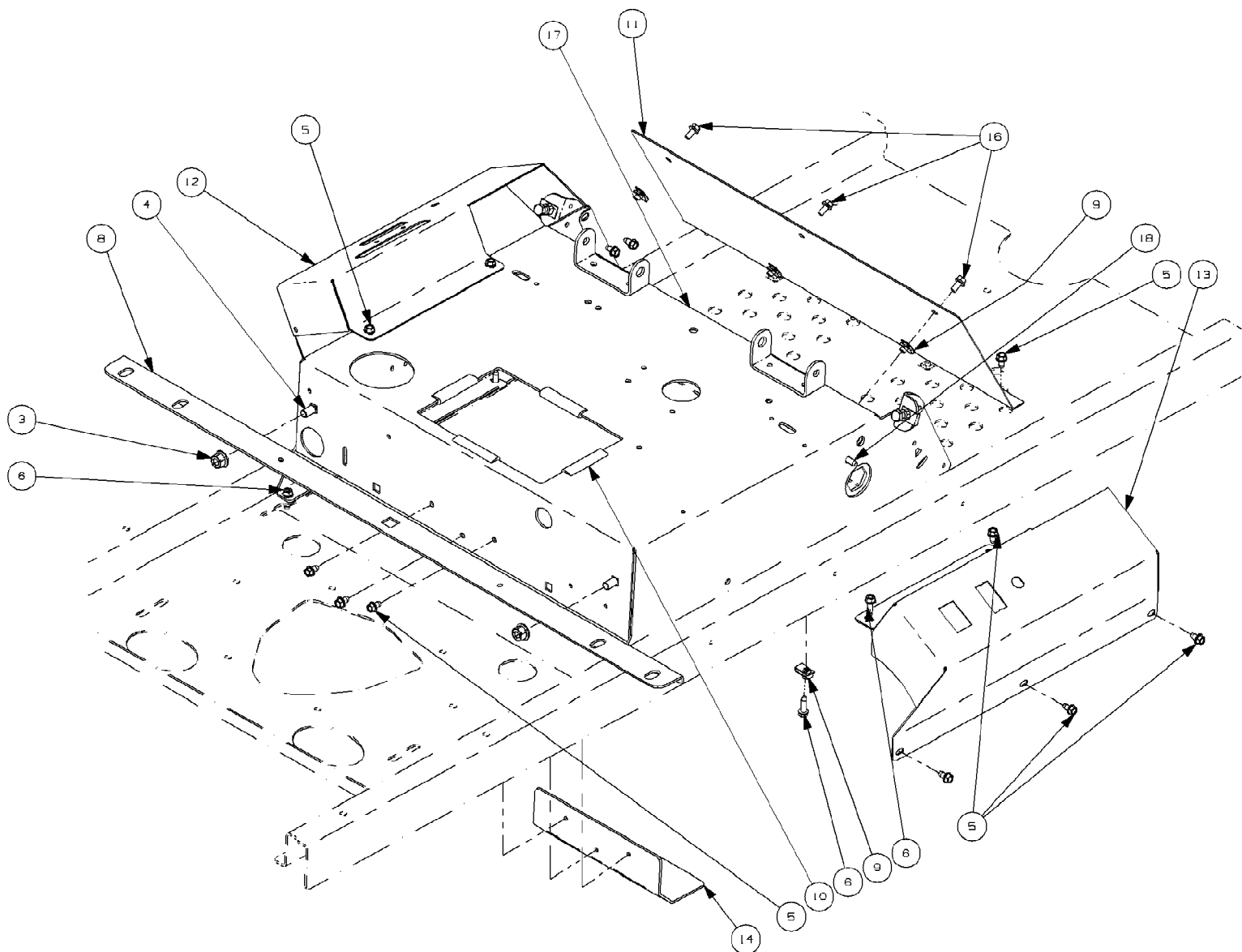
Z-Force 50 17AF3AGP  
Brake Assembly 2008 & Before



Ref #	Part Number	Qty	S/P/F	Description
1	710-0520	1	/P	Hex Head Cap Screw, 3/8-16 x 1.50 replaces 00010980
2	00012180	1		Hex Head Cap Screw, 5/16-18 x 1.00
3	00013733	1		Shoulder Bolt, 3/8 x 3/8
4	00022560	2		Hex Nut, 3/8-16 Flange Lock
5	01000101	1		Slide Washer
6	01000628	3	S	Screw, TT, 1/4-20, 0.5, Hex Index Washer
7	01000635	3	S	Nut, 5/16-18, Flange Lock
8	01002710	3		Washer, .375 x .738 x .063
9	01009253	1		Flat Washer, .390 x 1.5 x .134
10	02002885	1		Spacer, .380 x .563 x .196
11	02003717	1		Sockethead Capscrew, 3/8-16 x 1.50
12	02003728	1		Left Hand Brake Cable
13	02003729	1		Right Hand Brake Cable
14	02003740	1		Parking Brake Grip
15	02003831	1		Brake Link Plate
16	02003832	1	/P	Brake Handle
17	02003839	1		Spacer, .322 ID x .438 OD x .44
18	02003840	1		Spacer, .442 ID x .563 OD x .405
19	02004045	1		Step Hub, .379 x 1.5 x .257/.400
20	02004122	1		Brake Cable Mounting Bracket
21	02004123	1		Brake Cable Mounting Bracket
22	02004124	1		Sockethead Capscrew, 5/16-18 x 1.00
23	02004174	1		Lockout Lever Plate
24	736-3089	1	/P	Washer, .345 x 1.00 x .100



Ref #	Part Number	Qty	S/P/F	Description
1	00005530	3		Washer, .406 x .812 x .062
2	00012180	1		Hex Head Cap Screw, 5/16-18 x 1.00
3	00022560	2		Hex Nut, 3/8-16 Flange Lock
4	01000101	1		Slide Washer
5	01000635	1	S	Nut, 5/16-18, Flange Lock
6	01002710	2		Washer, .375 x .738 x .063
7	01009253	1		Flat Washer, .390 x 1.5 x .134
8	02002885	1		Spacer, .380 x .563 x .196
9	02003717	1		Sockethead Capscrew, 3/8-16 x 1.50
10	02003740	1		Parking Brake Grip
11	02003839	1		Spacer, .322 ID x .438 OD x .44
12	02003840	1		Spacer, .442 ID x .563 OD x .405
13	02004045	1		Step Hub, .379 x 1.5 x .257/.400
14	02004124	1		Sockethead Capscrew, 5/16-18 x 1.00
15	02004174	1		Lockout Lever Plate
16	680-00049	1		Brake Handle
17	710-0520	1	/P	Hex Head Cap Screw, 3/8-16 x 1.50
18	714-0474	1	S	Cotter Pin, 1/8 x .75
19	736-3089	1	/P	Washer, .345 x 1.00 x .100
20	746-04564	1	S	Left Hand Brake Cable
21	746-04565	1	S	Right Hand Brake Cable



Z-Force 50 17AF3AGP  
Control Assembly 2008 & Before

Page 6 of 74

Ref #	Part Number	Qty	S/P/F	Description
1	00012166	2		Hex Nut, 5/16-18
2	00013116	2		HHCS, 5/16-18 x 1-1/4
3	00022560	2		Hex Nut, 3/8-16 Flange Lock
4	01000372	2	S	Carriage Bolt, 3/8-16
5	01000628	19	S	Screw, 1/4-20 x 1/2
6	710-0642	5	/P	Self Tapping Screw, 1/4-20 x .75
7	01003563	2		U-Nut, 5/16-18
8	01008490	1		Front Tank Mounting Bracket
9	01008539	5	S	U-Nut, 1/4-20
10	735-04130	4	/P	Battery Edge Trim replaces 01008572
11	02002456	1		Front Panel
12	02002735	1	S	Left Hand Control Console
13	02002736	1	S	Right Hand Control Console
14	02002744	1		Battery Bracket
15	02002761	2		Forward/Reverse Stop Bracket
16	02003812	3		Screw, 1/4-20 x 1/2
17	02004348	1		Control Housing Weldment
18	710-04484	2		Self Tapping Screw 5/16-18 x .750 replaces 01008620

