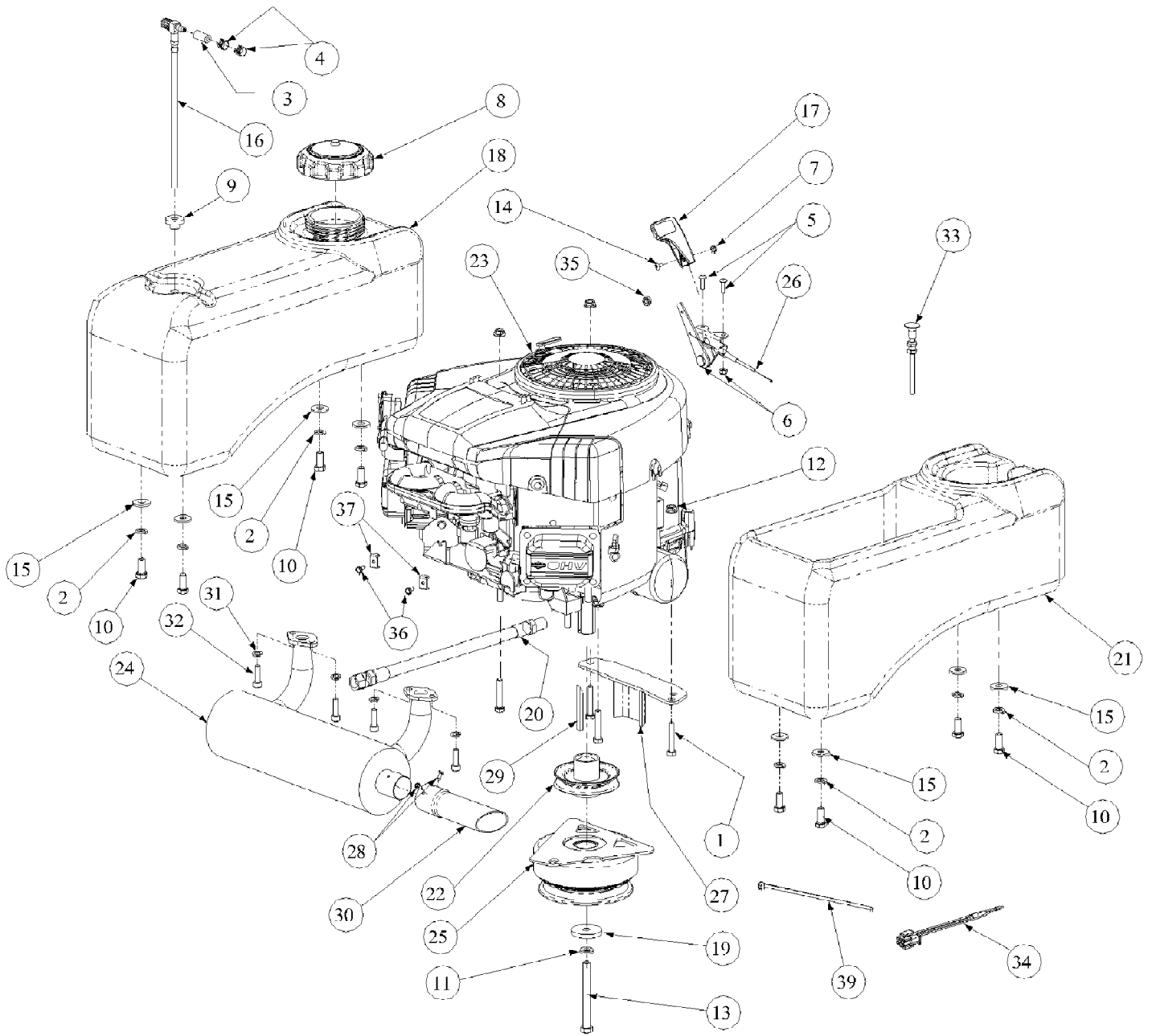


Z-Force 48 B&S Intek
Briggs Engine Assembly 22HP



Ref #	Part Number	Qty	S/P/F	Description
1	00006129	4		Hex Head Cap Screw, 5/16-18 x 1-3/4
2	00012157	8	S	Lock Washer, 3/8 Zinc
3		1		Hose, 1/4" Fuel Line purchase locally
4	00012235	2		Clamp, Union
5	01008531	2	S	Self Tapping Screw, 10-32 x 1/2
6	00014608	2	/P	Lock Nut, Nylon Insert, 10-32
7	00060056	1		Nut, w/ Star Washer
8	01000069	1	S	Fuel Cap
9	01000281	1	S	Fuel Tank Groment
10	01000368	8	S	Hex Cap Screw, 3/8-16 x .88
11	01000389	1	S	Lock Washer, 7/16
12	01000635	4	S	Lock Nut, Hex Flange, 5/16-18
13	01000813	1	S	Hex Cap Screw, 7/16-20 x 3.0
14	01000721	1	S	Machine Screw, 8-32 x .375
15	01000723	8	S	Flat Washer, .406 ID x 1.0 OD x .105
16	01003116	1		Fuel Pickup Fitting
17	01004004	1	S	Throttle Control Knob
18	01004350	1		Fuel Tank
19	01005314	1	S	Flat Washer, 7/16 ID x 1.75 OD x .250
20	01003283	1		Oil Drain Extension Hose
20	737-0103	1	S	Oil Drain Plug not shown
21	01008138	1	S	Utility Bin
22	01008808	1	S	Electric PTO Engine Pulley
23	01009769	1	S	22HP Briggs Engine
24	01008902	1		Briggs Muffler
25	01008434	1	S	Ogura DX11 Electric Clutch
26	01003272	1	S	Throttle Control Cable
27	01008640	1		Clutch Retainer Assembly
28	01000811	2	S	Screw, 8-32 x .375, Hex Washer
29	01007533	1		Key, 1/4 x 1/4 x 2.75
30	01008623	1		Exhaust Pipe
31	00012168	4		Lock Washer, 5/16
32	01009142	4	/P	Socket Head Cap Screw, 5/16-18 x 1.00
33	01004020	1	S	Choke Cable
34	01009826	1	S	Harness Adaptor
35	00023041	1		Starter Side Lock Nut 1/4-20
36	01008531	2	S	Screw, #10-32 x 0.500
37	01002070	2	S	Throttle Cable Clamp
38	01001811	1		Hour Meter Harness
39	00012470	1	S	Cable Tie, 3/16 x .05 x 7.4

Z-Force 48 B&S Intek
Control Assembly 48"

