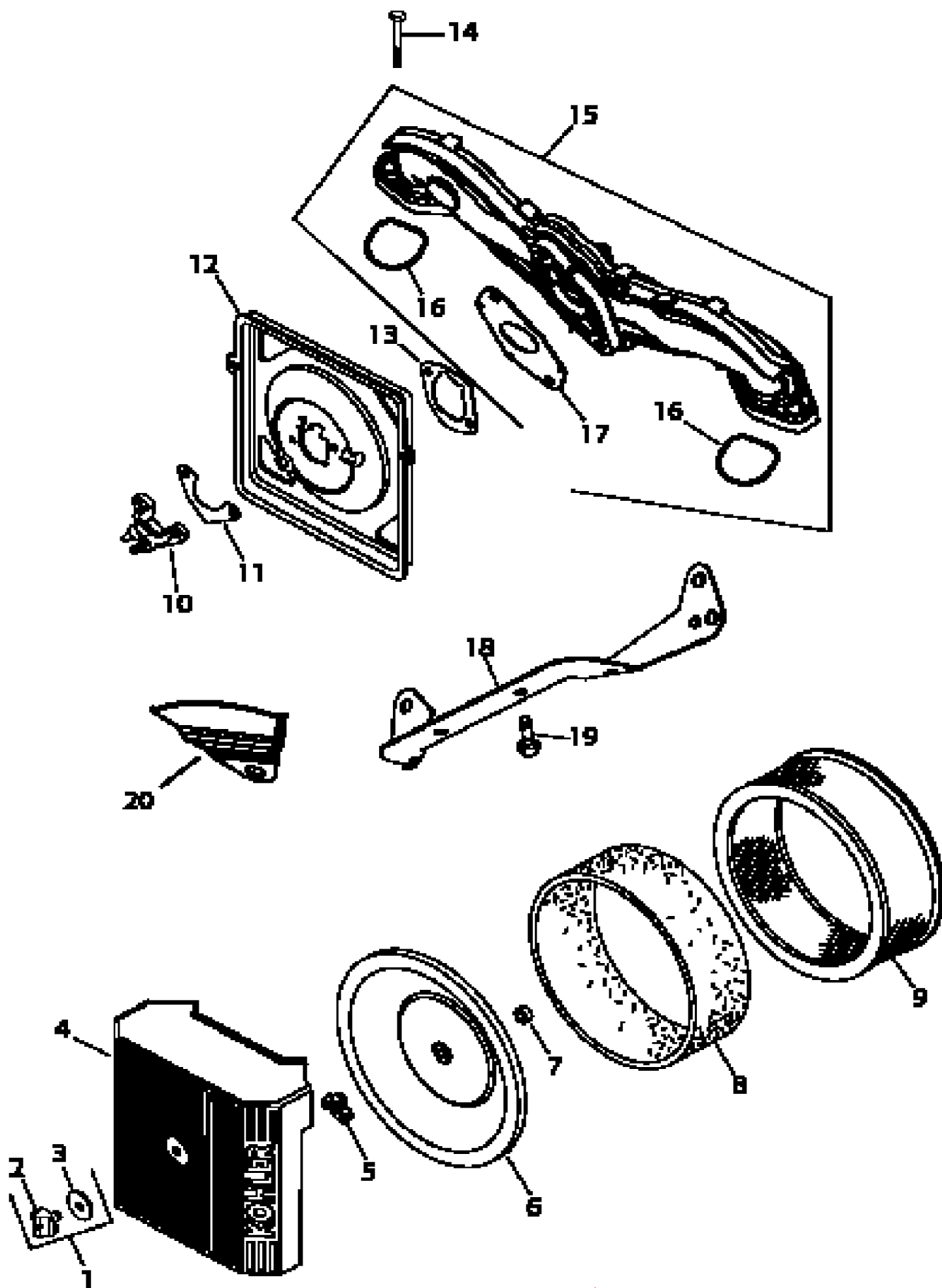
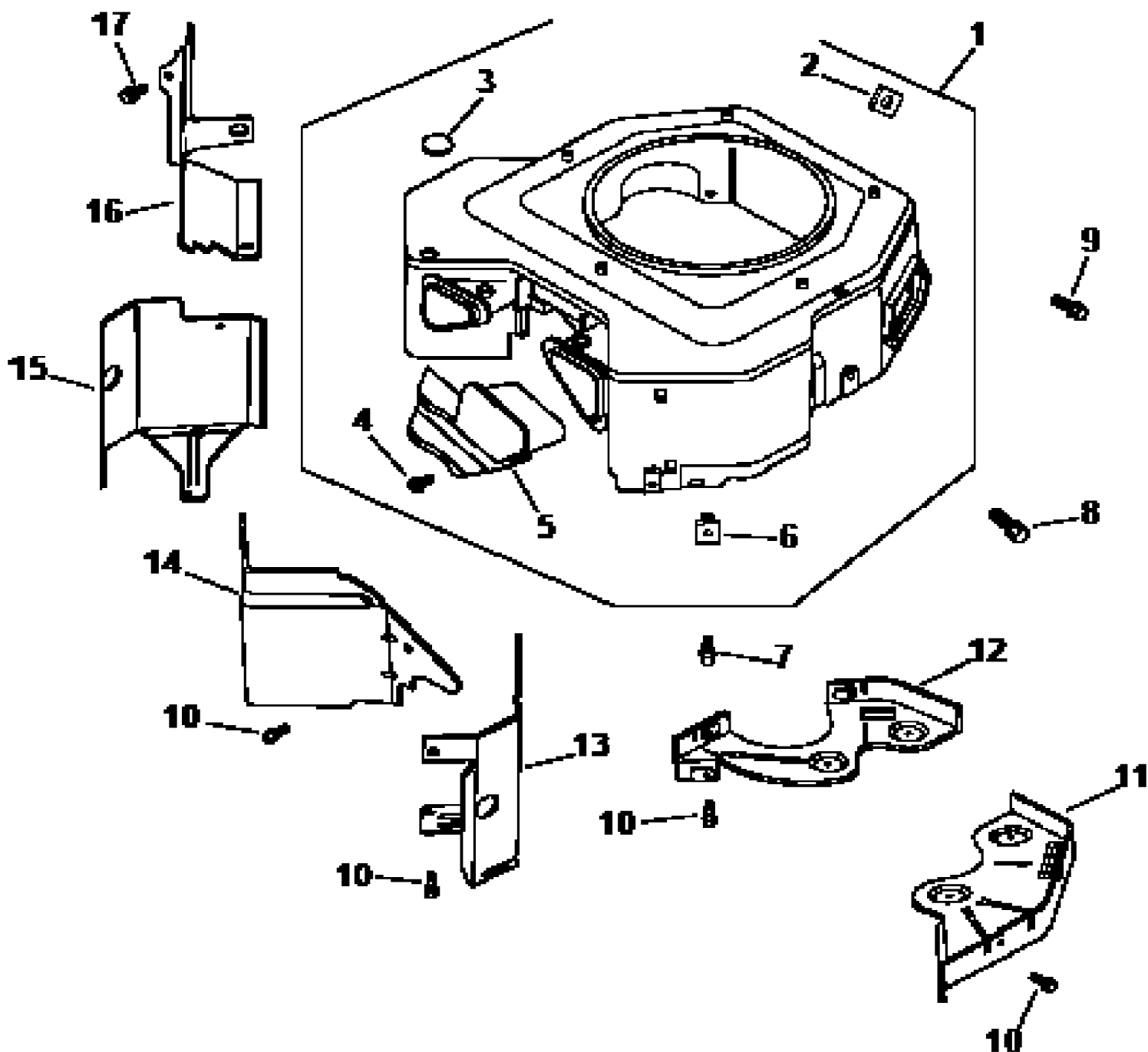


Z-Force 44 Kohler 53AA5B6L  
Air Intake Filtration



Z-Force 44 Kohler 53AA5B6L  
Air Intake Filtration

Ref #	Part Number	Qty	S/P/F	Description
1	KH-54-755-01-S	1	/P	Knob With Seal Kit
2	KH-25-341-04-S	1	/P	Cover Knob
3	KH-24-153-20-S	1		O-Ring
4	KH-24-096-70-S	1	/P	Air Cleaner Cover
5	KH-12-100-01	1	/P	Wing Nut
6	KH-24-096-01	1	/P	Inner Air Cleaner Cover
7	KH-231032	1	/P	Inner Air Cleaner Seal
8	KH-24-083-05	1		Precleaner Element
9	KH-24-083-03-S	1	S	Air Cleaner Element
10	KH-24-109-25-S	1	/P	Spit Back Cup
11	KH-24-041-13-S	1		Spit Back Cup Gasket
12	KH-24-094-34-S	1		Air Cleaner Base
13	KH-24-041-14	1	/P	Air Cleaner Gasket
14	KH-M-651040-S	4		Hex Flange Screw (M6 x 1.0 x 40)
15	KH-24-164-51-S	1	S	Intake Manifold
16	KH-24-153-27-S	2	/P	Intake Port O-Ring
17	KH-24-041-52-S	1	/P	Carburetor Gasket
18	KH-24-126-130-S	1		Air Cleaner Bracket
19	KH-M-0545010	2	/P	Hex Flange Screw (M5 x .8 x 10)
20	KH-24-063-51-S	1		Spit-back Cup Baffle



Z-Force 44 Kohler 53AA5B6L  
Blower Housing and Baffles

Ref #	Part Number	Qty	S/P/F	Description
1	KH-24-027-196-S	1		Blower Housing
2	KH-24-100-01	3		Plastic Nut
3	KH-25-139-16	1		9/16" Button Plug
4	KH-25-086-91-S	1	/P	Tapping Screw
5	KH-24-096-85-S	1		Blower Housing Cover
6	KH-24-100-02	2		Plastic Nut
7	KH-M-545016-S	3	/P	Screw
8	KH-M-551016-S	1		Screw
9	KH-M-545020-S	4		Screw
10	KH-M-645016-S	6	/P	Screw
11	KH-24-146-16-S	1	/P	Backing Plate # 2 Side
12	KH-24-146-20-S	1	/P	Backing Plate # 1 Side
13	KH-24-063-20	1	/P	Cylinder Barrel Baffle # 2 Side
14	KH-24-063-69-S	1		Valley Baffle # 2 Side
15	KH-24-063-58-S	1	S	Cylinder Barrel Baffle # 1 Side
16	KH-24-063-60-S	1		Valley Baffle # 1 Side
17	KH-M-0545010	2	/P	Screw
	KH-24-332-01-S	3		Threaded Insert (Not Illustrated)
	KH-24-113-12	1		20 HP Decal (Not Illustrated)
	KH-24-113-18-S	1		Grass Screen Decal (Not Illustrated)
	KH-25-113-39-S	1		Clear Lamination Decal (Not Illustrated)

