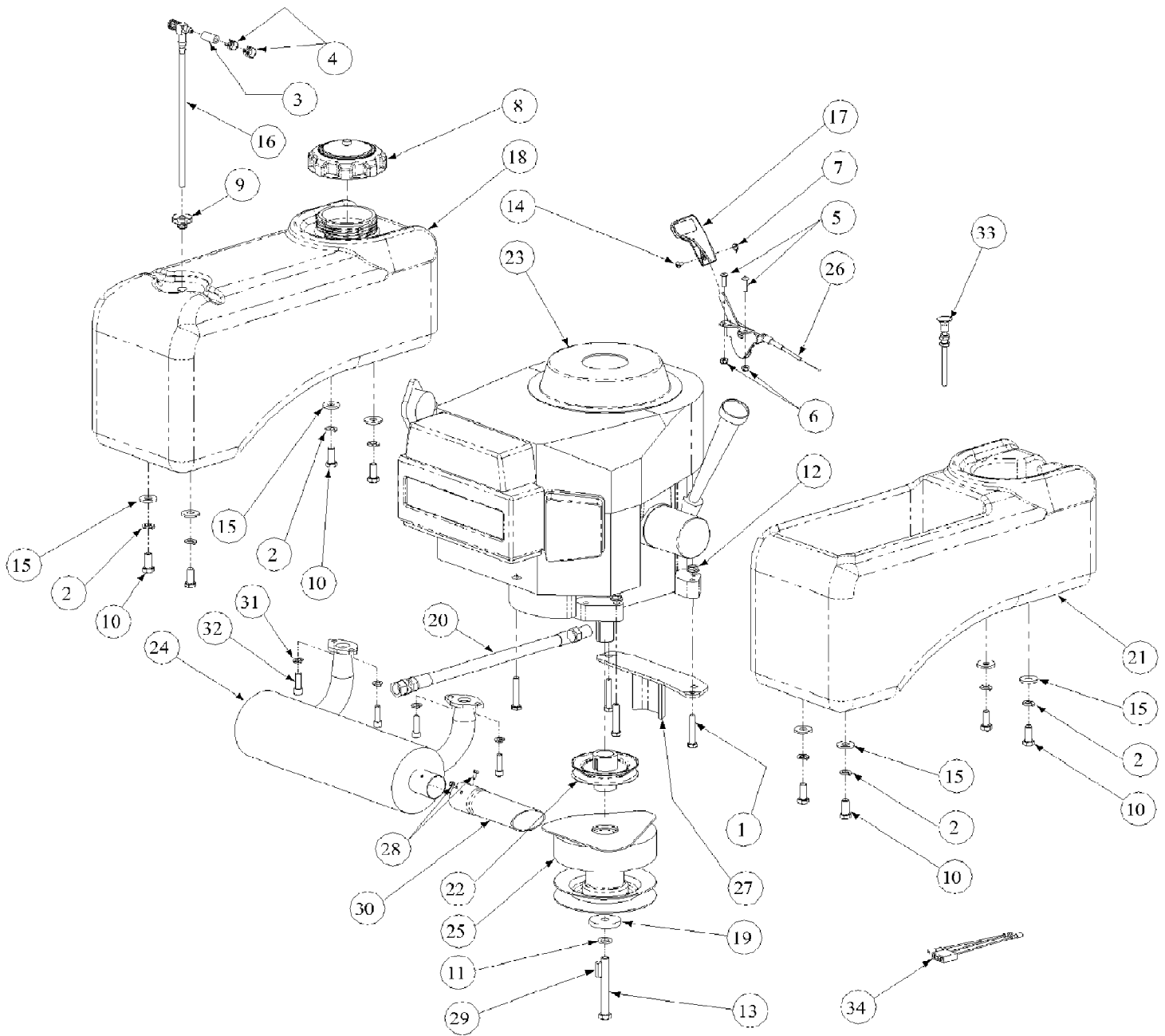


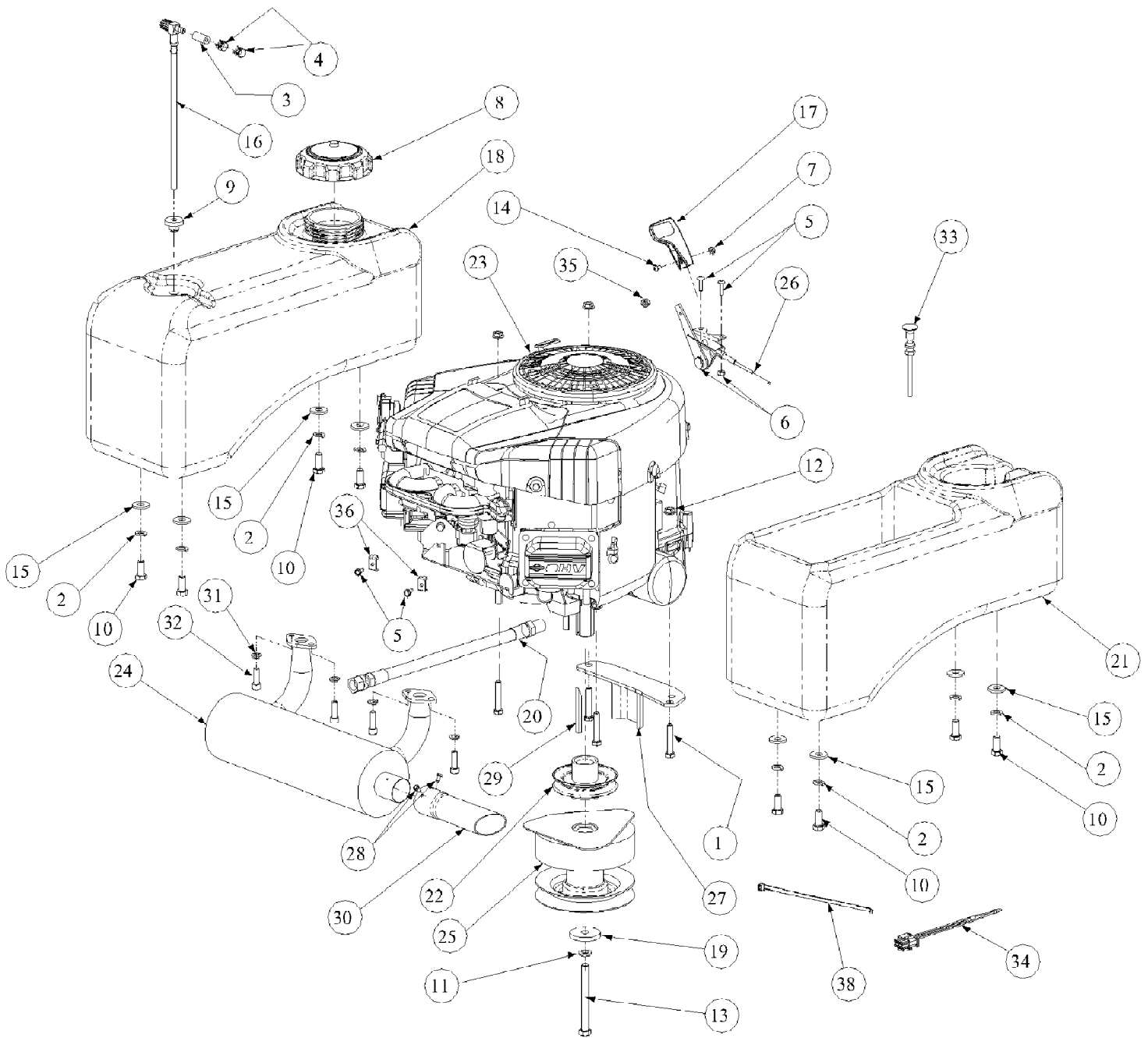
Z-Force 44 B&S
Briggs Engine Assembly 18HP



Z-Force 44 B&S
Briggs Engine Assembly 18HP

Page 2 of 47

Ref #	Part Number	Qty	S/P/F	Description
1	00006129	4		Hex Head Cap Screw, 5/16-18 x 1-3/4
2	00012157	8	S	Lock Washer, 3/8 Zinc
3		1		Hose, 1/4" Fuel Line purchase locally
4	00012235	2		Clamp, Union
5	00014602	2		Round Head Machine Screw, 10-32 x 3/4
6	00014608	2	/P	Lock Nut, Nylon Insert, 10-32
7	00060056	1		Nut, w/ Star Washer
8	01000069	1	S	Fuel Cap
9	01000281	1	S	Fuel Tank Groment
10	01000368	8	S	Hex Cap Screw, 3/8-16 x .88
11	01000389	1	S	Lock Washer, 7/16
12	01000635	4	S	Lock Nut, Hex Flange, 5/16-18
13	01008637	1	S	Hex Cap Screw, 7/16-20 x 4.0
14	01000721	1	S	Machine Screw, 8-32 x .375
15	01000723	8	S	Flat Washer, .406 ID x 1.0 OD x .105
16	01003116	1		Fuel Pickup Fitting
17	01004004	1	S	Throttle Control Knob
18	01004350	1		Fuel Tank
19	01005314	1	S	Flat Washer, 7/16 ID x 1.75 OD x .250
20	01003283	1		Oil Drain Extension Hose
20	737-0103	1	S	Oil Drain Plug not shown
21	01008138	1	S	Utility Bin
22	01008381	1	S	Electric PTO Engine Pulley use with 00025344
22	01008808	1	S	Electric PTO Engine Pulley use with 01007533
23	01008883	1	S	18HP Twin Briggs Engine
24	01008902	1		Briggs Muffler
25	01008544	1	S	Ogura JD08 Electric Clutch
26	01003272	1	S	Throttle Control Cable
27	01008640	1		Clutch Retainer Assembly
28	01000811	2	S	Screw, 8-32 x .375, Hex Washer
29	00025344	1		Key, 1/4 x 1/4 x 7/8 use with 01008381
29	01007533	1		Key, 1/4 x 1/4 x 2.75 use with 01008808
30	01008623	1		Exhaust Pipe
31	00012168	4		Lock Washer, 5/16
32	01009142	4	/P	Socket Head Cap Screw, 5/16-18 x 1.00
33	01004020	1	S	Choke Cable
34	01008881	1		Harness Adaptor



Z-Force 44 B&S
Briggs Engine Assembly 20HP

Ref #	Part Number	Qty	S/P/F	Description
1	00006129	4		Hex Head Cap Screw, 5/16-18 x 1-3/4
2	00012157	8	S	Lock Washer, 3/8 Zinc
3		1		Hose, 1/4" Fuel Line purchase locally
4	00012235	2		Clamp, Union
5	01008531	4	S	Self Tapping Screw, 10-32 x 1/2
6	00014608	2	/P	Lock Nut, Nylon Insert, 10-32
7	00060056	1		Nut, w/ Star Washer
8	01000069	1	S	Fuel Cap
9	01000281	1	S	Fuel Tank Groment
10	01000368	8	S	Hex Cap Screw, 3/8-16 x .88
11	01000389	1	S	Lock Washer, 7/16
12	01000635	4	S	Lock Nut, Hex Flange, 5/16-18
13	01008637	1	S	Hex Cap Screw, 7/16-20 x 4.0
14	01000721	1	S	Machine Screw, 8-32 x .375
15	01000723	8	S	Flat Washer, .406 ID x 1.0 OD x .105
16	01003116	1		Fuel Pickup Fitting
17	01004004	1	S	Throttle Control Knob
18	01004350	1		Fuel Tank
19	01005314	1	S	Flat Washer, 7/16 ID x 1.75 OD x .250
20	01003283	1		Oil Drain Extension Hose
20	737-0103	1	S	Oil Drain Plug (Not shown)
21	01008138	1	S	Utility Bin
22	01008808	1	S	Electric PTO Engine Pulley
23	01009724	1	S	20HP Briggs Engine
24	01008902	1		Briggs Muffler
25	01008544	1	S	Ogura JD08 Electric Clutch
26	01003272	1	S	Throttle Control Cable
27	01008640	1		Clutch Retainer Assembly
28	01000811	2	S	Screw, 8-32 x .375, Hex Washer
29	01007533	1		Key, 1/4 x 1/4 x 2.75
30	01008623	1		Exhaust Pipe
31	00012168	4		Lock Washer, 5/16
32	01009142	4	/P	Socket Head Cap Screw, 5/16-18 x 1.00
33	01004020	1	S	Choke Cable
34	01009826	1	S	Harness Adaptor
35	00023041	1		Starter Side Lock Nut 1/4-20
36	01002070	2	S	Throttle Cable Clamp
37	01001811	1		Hour Meter Harness (Not shown)
38	00012470	1	S	Cable Tie, 3/16 x .05 x 7.4