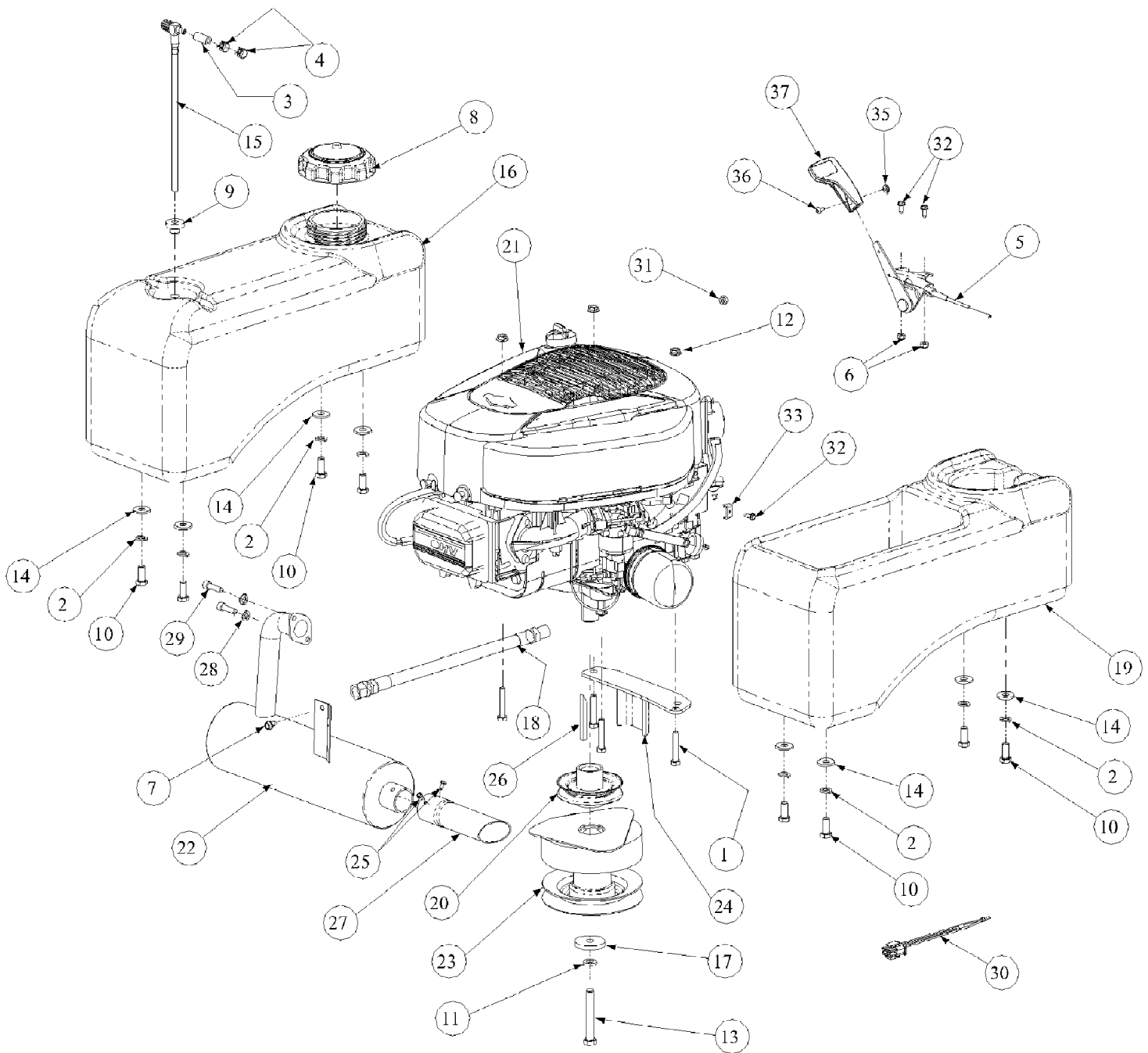


Z-Force 42 B&S
Briggs Engine Assembly 18.5HP



Z-Force 42 B&S
Briggs Engine Assembly 18.5HP

Page 2 of 35

Ref #	Part Number	Qty	S/P/F	Description
1	00006129	4		Hex Head Cap Screw, 5/16-18 x 1-3/4
2	00012157	8	S	Lock Washer, 3/8 Zinc
3		1		Hose, 1/4" Fuel Line purchase locally
4	00012235	2		Clamp, Union
5	01003272	1	S	Throttle Control Cable
6	00014608	2	/P	Lock Nut, Nylon Insert, 10-32
7	01000628	1	S	Self Tapping Screw, 1/4-20 x 1/2
8	01000069	1	S	Fuel Cap
9	01000281	1	S	Fuel Tank Groment
10	01000368	8	S	Hex Cap Screw, 3/8-16 x .88
11	01000389	1	S	Lock Washer, 7/16
12	01000635	4	S	Lock Nut, Hex Flange, 5/16-18
13	01008637	1	S	Hex Cap Screw, 7/16-20 x 4.0
14	01000723	8	S	Flat Washer, .406 ID x 1.0 OD x .105
15	01003116	1		Fuel Pickup Fitting
16	01004350	1		Fuel Tank
17	01003269	1		Flat Washer, 7/16 ID x 1.75 OD x .250
18	01003283	1		Oil Drain Extension Hose
18	737-0103	1	S	Oil Drain Plug not shown
19	01008138	1	S	Utility Bin
20	01008808	1	S	Electric PTO Engine Pulley
21	01009770	1	S	18.5HP Briggs Engine
22	01009837	1		Briggs Muffler
23	01008544	1	S	Ogura JD08 Electric Clutch
24	01008640	1		Clutch Retainer Assembly
25	01000811	2	S	Screw, 8-32 x .375, Hex Washer
26	01007533	1		Key, 1/4 x 1/4 x 2.75
27	01008623	1		Exhaust Pipe
28	00012168	2		Lock Washer, 5/16
29	01009142	2	/P	Socket Head Cap Screw, 5/16-18 x 1.00
30	01009826	1	S	Harness Adaptor
31	00023041	1		Starter Side Lock Nut 1/4-20
32	01008531	3	S	Screw, #10-32 x 0.500
33	01002070	1	S	Throttle Cable Clamp
34	01001811	1		Hour Meter Harness (Not shown)
35	00060056	1		Nut, 8-32
36	01000721	1	S	Machine Screw, 8-32 x .375
37	01004004	1	S	Throttle Control knob

Z-Force 42 B&S
Control Assembly 42"/44"

