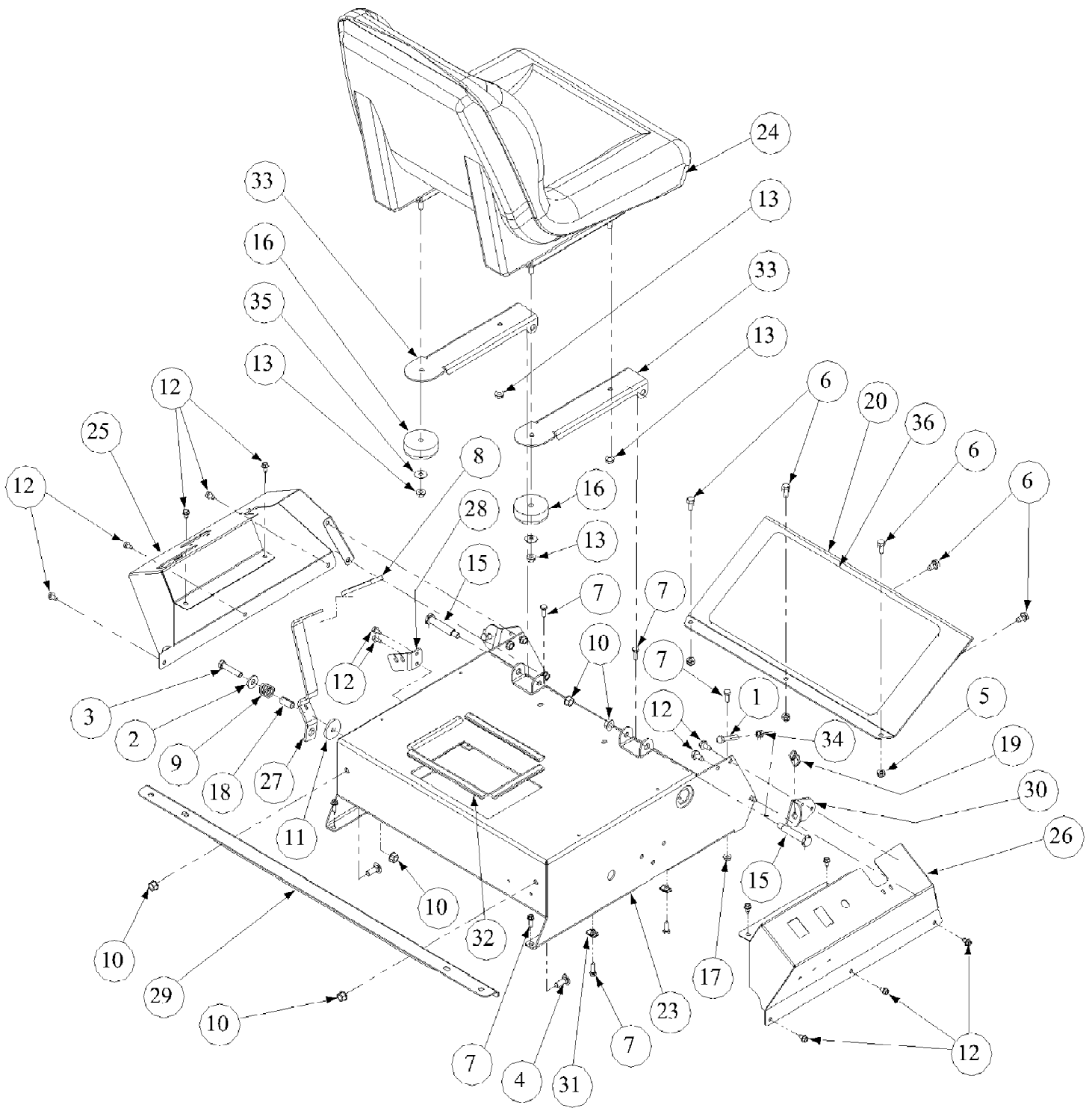


Z-Force 18 B&S
Control Assembly

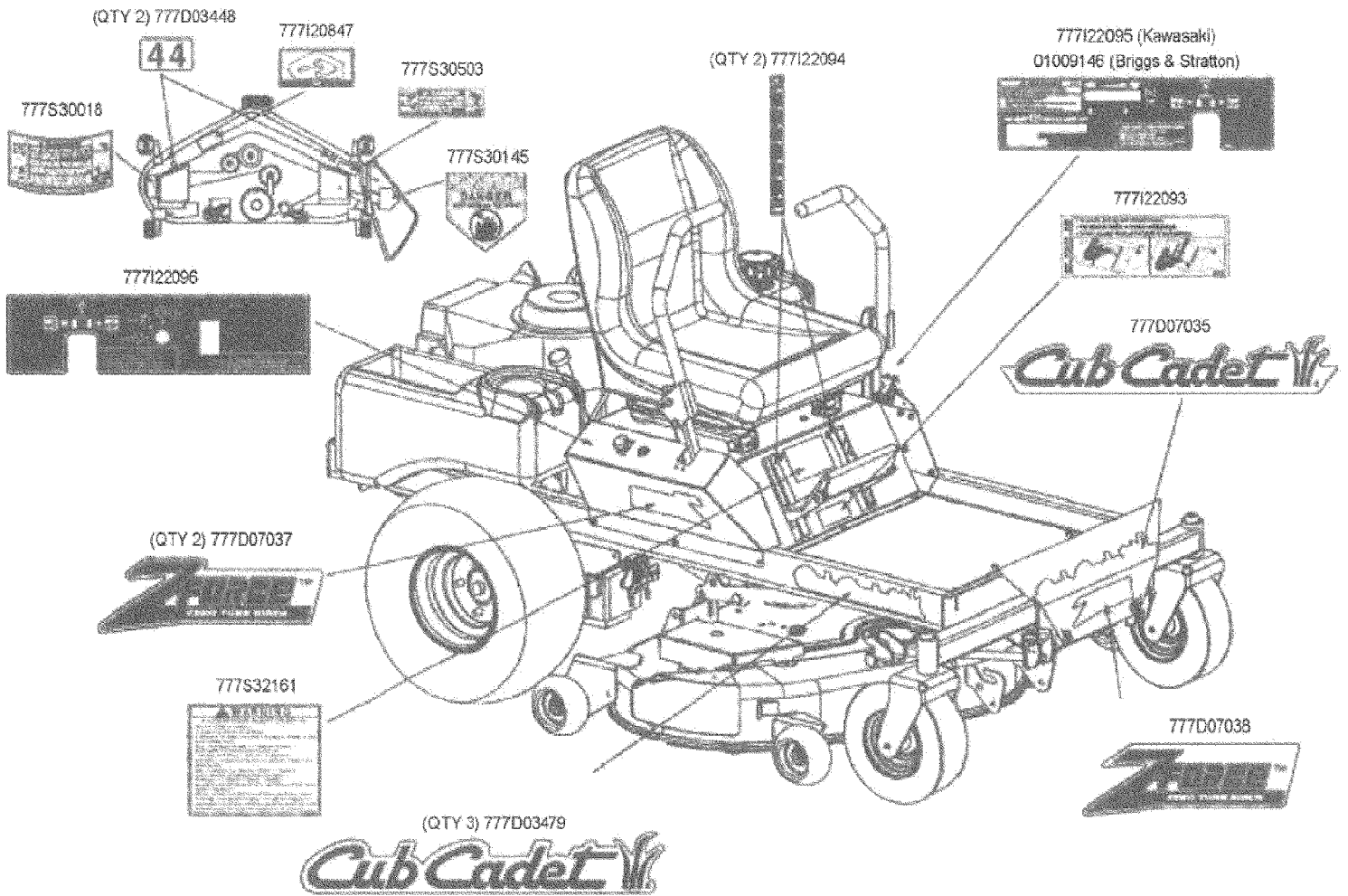


Z-Force 18 B&S
Control Assembly

Page 2 of 41

Ref #	Part Number	Qty	S/P/F	Description
1	00012382	2		Hex Cap Screw, 5/16-18 x 1-1/2
2	00006168	1		Flat Washer, 3/8 Zinc
3	00008495	1		Capscrew, 3/8-16 x 1-3/4
4	01000372	2	S	Carriage Bolt, 3/8-16
5	00012165	3		Nylock Nut, 5/16-18
6	01008620	5		Self Tapping Screw, 5/16-18 x 3/4
7	01008763	9		Hex Cap Screw, 1/4-20 x 3/4
8	00013595	1		Parking Brake Grip
9	00021797	1		Spring, .80 OD x 1 Lg
10	00022560	5		Hex Nut, 3/8-16 Flange Lock
11	00077495	1		Friction Washer
12	01000628	18	S	Screw, 1/4-20 x 1/2
13	01000635	4	S	Hex Nut, 5/16-18 Flange Lock
15	01002634	2		Shoulder Screw, 3/8-16, .5 x 2.345
16	01002753	2		Groment, 2.5 OD x 1.0 Lg
17	01002766	3	S	Hex Nut, 1/4-20 Flange Lock
18	01002772	1	S	Spacer, .375 x .50 x 1.02
19	01003563	2		U-Nut, 5/16-18
20	01008464	1		Foot Rest Bracket
21	01008198	1	S	Left Hand Brake Cable (Not shown)
22	01008199	1	S	Right Hand Brake Cable (Not shown)
23	01008482	1		Control Housing Weldment
24	01008413	1	S	Seat Adjust
25	01008472	1	S	Left Hand Control Console
26	01008473	1	S	Right Hand Control Console
27	01008487	1	S	Parking Brake Lever
28	01008489	1		Brake Cable Bracket
29	01008491	1		Front Tank Mounting Bracket
30	01008533	2		Lapbar Stop Bracket
31	01008539	4	S	U-Nut, 1/4-20
32	01008572	4	S	Battery Edge Trim
33	01008583	2		Seat Mounting Bracket
34	00012166	2		Hex Nut, 5/16-18
35	01000960	2	S	Washer, .325 x .930 x .045
36	01006528	1		Abrasive Foot Pad

Z-Force 18 B&S
Decal Map



Ref #	Part Number	Qty	S/P/F	Description
777D03448	777D03448	1		LABEL-INCH CUT 44
777S30018	777S30018	1	/P	LABEL-DECK SAFETY
777I20847	777I20847	1		LABEL-BELT ROUTING
777S30503	777S30503	1	/P	LABEL-DANGER CHUTE
777S30145	777S30145	1	S	USE 977S30145
777I22096	777I22096	1		LABEL-RH CONSOLE
777D07037	777D07037	1		LABEL-Z FORCE
777S32161	777S32161	1		LABEL-WARNING OPER
777D03479	777D03479	1	/P	LABEL-CUB CADET LOGO
777I22094	777I22094	1		LABEL-DECK HEIGHT
777D07038	777D07038	1		LABEL-Z FORCE
777D07035	777D07035	1		LABEL-CUB CADET LOGO
777I22093	777I22093	1		LABEL-LIFT HANDLE
01009146	01009146	1		LABEL-LH CONSOLE
777I22095	777I22095	1		LABEL-LH CONSOLE