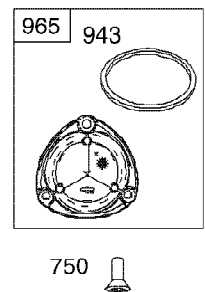
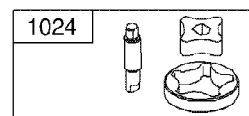
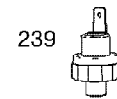
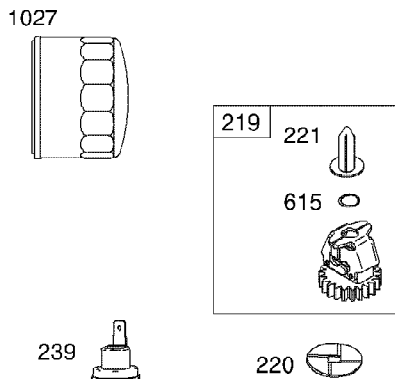
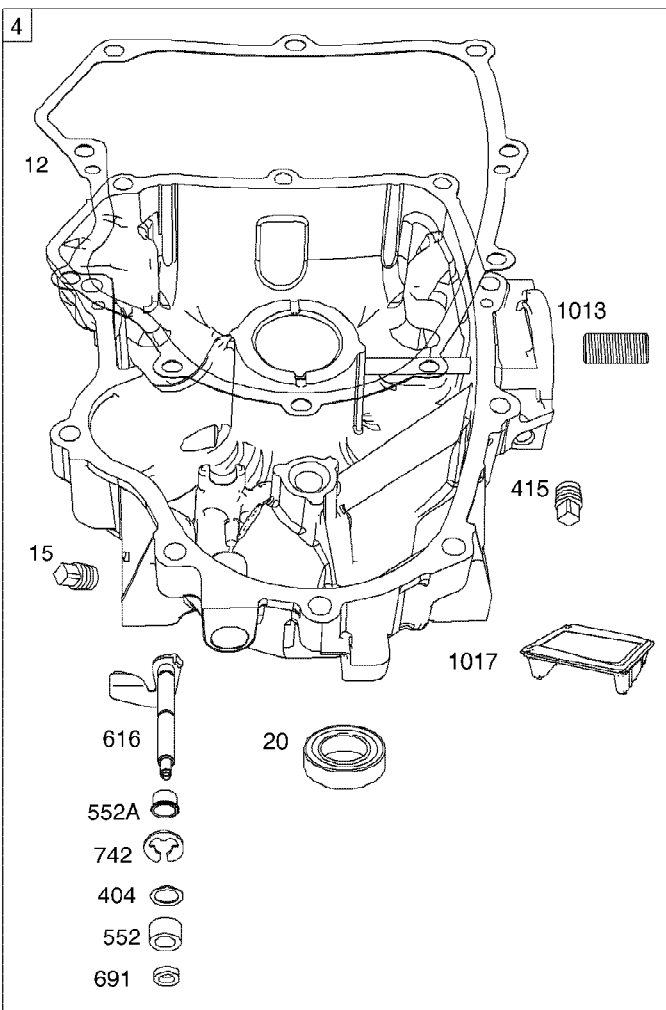
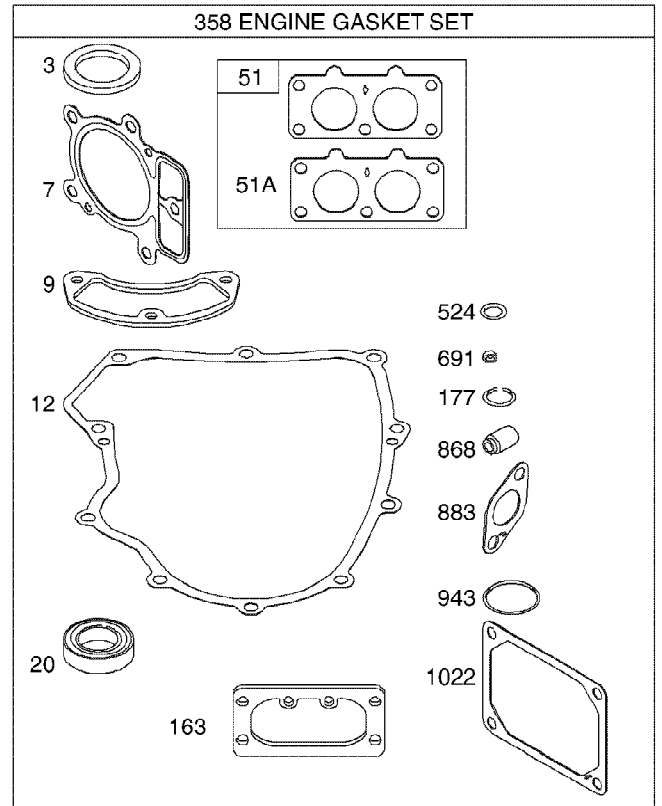
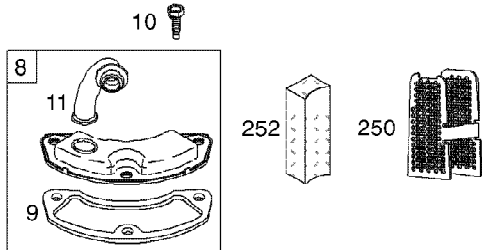
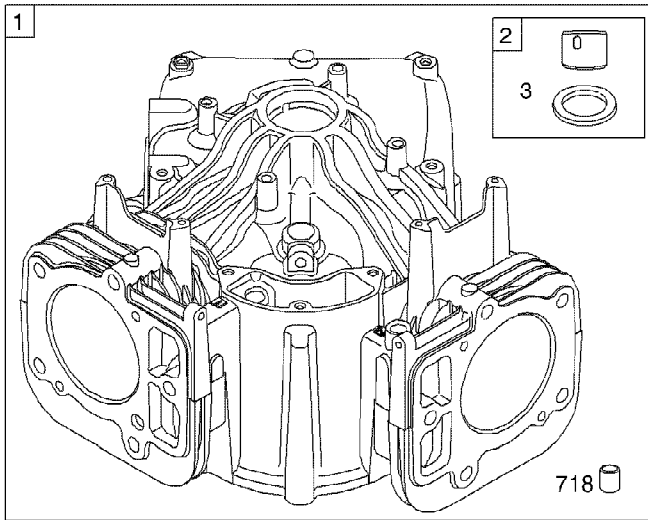


RZT50VT B&S (2010 & After)
B&S 44P777-0784 Engine Assembly 1



Ref #	Part Number	Qty	S/P/F	Description
1	BS-793564	1		Cylinder Assembly
2	BS-499585	1		Bushing/Seal Kit (Magneto Side)
3	BS-391086S	1	/P	Oil Seal (Magneto Side)
4	BS-796307	1	/P	Engine Sump
5	BS-796231	1	/P	Cylinder Head (Cylinder #1)
5A	BS-796232	1	/P	Cylinder Head (Cylinder #2)
7	BS-693997	1	/P	Cylinder Head Gasket
8	BS-792185	1	/P	Breather Assembly
9	BS-690937	1		Breather Gasket
10	BS-697551	1		Screw (Breather Assembly)
11	BS-792184	1	/P	Breather Tube
12	BS-697227	1	/P	Crankcase Gasket
13	BS-793988	1		Screw (Cylinder Head)
15	BS-690946	1	/P	Oil Drain Plug
16	BS-796237	1		Crankshaft
20	BS-795387	1	/P	Oil Seal (PTO Side)
22	BS-694966	1	/P	Screw (Crankcase Cover/Sump)
23	BS-691053	1		Flywheel
24	BS-222698S	1	/P	Flywheel Key
25	BS-792023	1	/P	Piston Assembly (Standard)
25	BS-792072	1		Piston Assembly (.020" Oversize)
26	BS-792073	1		Ring Set (.020" Oversize)
26	BS-793561	1		Ring Set (Standard)
27	BS-690975	1		Piston Pin Lock
28	BS-696581	1		Piston Pin
29	BS-699699	1	S	Connecting Rod
32	BS-690976	1		Screw (Connecting Rod)
33	BS-697576	1		Exhaust Valve
34	BS-792200	1	/P	Intake Valve
35	BS-694865	1		Valve Spring (Intake)
36	BS-694865	1		Valve Spring (Exhaust)
40	BS-690964	1	S	Valve Retainer
42	BS-499586	1	/P	Valve Keeper
45	BS-690977	1	/P	Valve Tappet
46	BS-792555	1		Cam Gear
48	BS-698172	1	/P	Short Block
50	BS-695241	1	/P	Intake Manifold
51	BS-795123	1		Intake Gasket
51A	BS-690950	1		Intake Gasket
53	BS-690951	1		Stud (Carburetor)
54	BS-699816	1		Screw (Intake Manifold)
73	BS-494439	1	/P	Rotating Screen
74	BS-698425	1		Screw (Rotating Screen)
75	BS-691056	1		Washer (Flywheel)
95	BS-690718	1		Screw (Throttle Valve)
98	BS-699721	1		Idle Speed Kit
104	BS-694918	1		Float Hinge Pin
105	BS-698537	1		Float Needle Valve
108	BS-699723	1		Choke Valve
117	BS-792296	1		Main Jet (Standard) (Left Jet)
117A	BS-842627	1		Main Jet (Standard) (Right Jet)
118	BS-699457	1		Main Jet (High Altitude) (Left Jet)
118A	BS-699733	1		Main Jet (High Altitude) (Right Jet)

Ref #	Part Number	Qty	S/P/F	Description
121	BS-792455	1	S	Carburetor Overhaul Kit
125	BS-796227	1		Carburetor
130	BS-690993	1		Throttle Valve
131	BS-499805	1		Throttle Shaft Kit
133	BS-699724	1		Carburetor Float
135	BS-699729	1		Fuel Transfer Tube
137	BS-690994	1		Float Bowl Gasket
141	BS-796228	1		Choke Shaft Kit
142	BS-699726	1		Carburetor Nozzle
146	BS-690979	1	/P	Timing Key
150	BS-690995	1		Nozzle Gasket
163	BS-691001	1		Air Cleaner Gasket
165	BS-693148	1		Nut (Ring Gear)
177	BS-691031	1	/P	O-Ring Seal (Dipstick)
187	751-10349-16	1	/P	Fuel Line Cut to Required Length
188	BS-697551	1		Screw (Control Bracket)
192	BS-690083	1		Rocker Arm Adjuster
197	BS-697820	1		Screw (Back Plate)
209	BS-796267	1		Governor Spring (Dark Green/ Purple)
211	BS-796225	1		Governed Idle Spring (Orange)
212	BS-695238	1		Throttle Link
216	BS-796229	1		Choke Link
217	BS-695409	1		Choke Return Spring
219	BS-793338	1	/P	Governor Gear
220	BS-690412	1	/P	Washer (Governor Gear)
221	BS-841026	1		Governor Cup
222	BS-796226	1		Control Bracket
227	BS-796223	1		Governor Control Lever
231	BS-690718	1		Screw (Choke Valve)
239	BS-792028	1		Oil Pressure Switch
240	BS-691035	1	/P	Fuel Filter
250	BS-690957	1		Breather Retainer
252	BS-794389	1		Oil Collector
265	BS-691024	1	/P	Casing Clamp
267	BS-695134	1		Screw (Casing Clamp)
276	BS-695410	1		Sealing Washer (Fuel Solenoid)
278	BS-792651	1		Washer (Governor Control Lever)
287	BS-697551	1		Screw (Dipstick Tube)
304	BS-796678	1	S	Blower Housing
305	BS-691005	1		Screw (Blower Housing)
305A	BS-790690	1		Screw (Blower Housing to Intake Elbow)
306	BS-796541	1		Cylinder Shield (Cylinder #2)
307	BS-697551	1		Screw (Cylinder Shield) (1/4-20 x 2/3)
309	BS-795121	1	/P	Starter Motor
310	BS-691263	1		Screw (Starter Motor)
332	BS-691059	1		Nut (Flywheel)
333	BS-691060	1	/P	Magneto Armature
334	BS-691061	1		Screw (Magneto Armature)
337	759-3336	1	/P	Spark Plug
358	BS-694012	1	/P	Engine Gasket Set
385	BS-697551	1		Screw (Fuel Pump)
387	BS-808656	1	/P	Fuel Pump
404	BS-690442	1		Washer (Governor Crank)

Ref #	Part Number	Qty	S/P/F	Description
415	BS-794903	1		Plug (Oil Pressure Switch)
418	BS-795912	1		Carburetor Plate
431	BS-792297	1		Intake Elbow
445	BS-792105	1	/P	Air Cleaner Cartridge Filter
447	BS-691003	1	/P	Screw (Air Guide Cover) (10-24 x 7/16)
467	BS-790697	1		Air Cleaner Knob
474	BS-696457	1	/P	Alternator
501	BS-794360	1	/P	Regulator
503	BS-691532	1	/P	Starter Strap
505	BS-691029	1		Nut (Governor Control Lever)
510	BS-696541	1	/P	Starter Drive
513	BS-692024	1	/P	Drive Clutch
523	BS-691036	1		Dipstick
524	BS-691032	1		Dipstick Tube Seal
525	BS-691037	1		Dipstick Tube
526	BS-691129	1	/P	Screw (Regulator)
544	N/A	1		Starter Armature (Service with Starter Motor 795121, Reference 309)
552	BS-690552	1		Governor Crank Bushing
562	BS-690311	1		Screw (Governor Control Lever)
573	BS-790444	1		Back Plate
579	BS-691029	1		Nut (Starter Cable)
601	BS-691038	1		Hose Clamp (Black)
615	BS-698290	1	/P	Governor Shaft Retainer
616	BS-691045	1		Governor Crank
617	BS-697891	1		O-Ring Seal (Intake Manifold) (Red)
628	BS-697551	1		Screw (Fuel Pump Bracket)
633	BS-699813	1		Choke Seal/Throttle Shaft
635	BS-66538s	1	/P	Spark Plug boot
654	BS-690958	1	/P	Nut (Carburetor)
668	BS-691215	1		Spacer (Rotating Screen)
672	BS-690234	1		Carburetor Plate Gasket
691	BS-790574	1		Governor Shaft Seal
695	BS-693149	1		Screw (Ring Gear)
697	BS-791680	1	/P	Screw (Drive Cap)
703	BS-691010	1		Clip
718	BS-690959	1	/P	Locating Pin
726	BS-499612	1		Ring Gear
729	BS-694123	1		Wire Clip
741	BS-690980	1		Timing Gear
742	BS-690328	1	/P	E-Ring Retainer (Governor Crank)
750	BS-696999	1		Screw (Oil Pump Cover)
783	BS-695708	1	/P	Pinion Gear
788	BS-793145	1		Fuel Pump Bracket
789	BS-698330	1		Wiring Harness
798	BS-697890	1		Screw (Rocker Arm)
801	BS-691283	1		Drive Cap
802	BS-691286	1	/P	End Cap
803	N/A	1		Starter Housing (Service with Starter Motor 795121, Reference 309)
847	BS-499602	1		Dipstick/Tube Assembly
851	BS-493880S	1	/P	Spark Plug Terminal

Ref #	Part Number	Qty	S/P/F	Description
865	BS-691012	1		Air Guide Cover (Cylinder #1)
868	BS-690968	1	/P	Valve Seal
877	BS-399916	1		Alternator Connector Wire
883	BS-690970	1	/P	Exhaust Gasket
914	BS-691127	1	/P	Screw (Rocker Cover)
918	BS-793147	1		Vacuum Hose
943	BS-796222	1		O-Ring Seal (Oil Pump Cover)
947	BS-841546	1		Fuel Solenoid
965	BS-796221	1		Oil Pump Cover
967	BS-792303	1	/P	Pre-Cleaner Filter
968	BS-795120	1	/P	Air Cleaner Cover
975	BS-793592	1		Float Bowl
987	BS-691000	1		Throttle Shaft Seal
1005	BS-791236	1		Flywheel Fan
1013	BS-690954	1	/P	Oil Filter Nipple
1017	BS-796214	1		Oil Pump Screen
1022	BS-690971	1	/P	Rocker Cover Gasket
1023	BS-793146	1		Rocker Cover (Cylinder #1)
1023A	BS-499600	1		Rocker Cover (Cylinder #2)
1024	BS-796220	1		Oil Pump
1026	BS-690981	1	/P	Push Rod (Exhaust)
1026A	BS-690982	1	/P	Push Rod (Intake)
1027	BS-696854	1	/P	Oil Filter
1029	BS-690972	1		Rocker Arm
1036	N/A	1		Emissions Label (Available from a Briggs & Stratton)
1051	BS-691265	1	/P	Retaining Ring (Starter Drive)
1054	BS-280275	1		Cable Tie
1058	N/A	1		Operator's Manual
1059	BS-698516	1		Screw/Washer Kit (Alternator)
1070	BS-791680	1	/P	Screw (Flywheel Fan)
1090	BS-691293	1	/P	Brush Retainer
1095	BS-694013	1	/P	Valve Gasket Set
1100	BS-791959	1		Rocker Arm Pivot
1119	BS-93621	1	/P	Screw (Alternator)
1124	BS-841653	1		O-Ring Seal (Fuel Transfer Tube)
1124A	BS-690988	1		O-Ring Seal (Fuel Transfer Tube)
1126	BS-690991	1		Screw (Fuel Transfer Tube)
1127	BS-695407	1		Screw (Fuel Bowl)
1128	BS-690990	1		Screw (Carburetor Nozzle)
1169	BS-690990	1		Screw (Carburetor Plate)
447A	BS-697551	1		Screw (Air Guide Cover)
552A	BS-690553	1		Governor Crank Bushing
601A	BS-791850	1	/P	Hose Clamp (Green)
668A	BS-691500	1	/P	Spacer (Rotating Screen)
865A	BS-792286	1		Air Guide Cover (Valley)
877A	BS-790544	1		Alternator Connector Wire