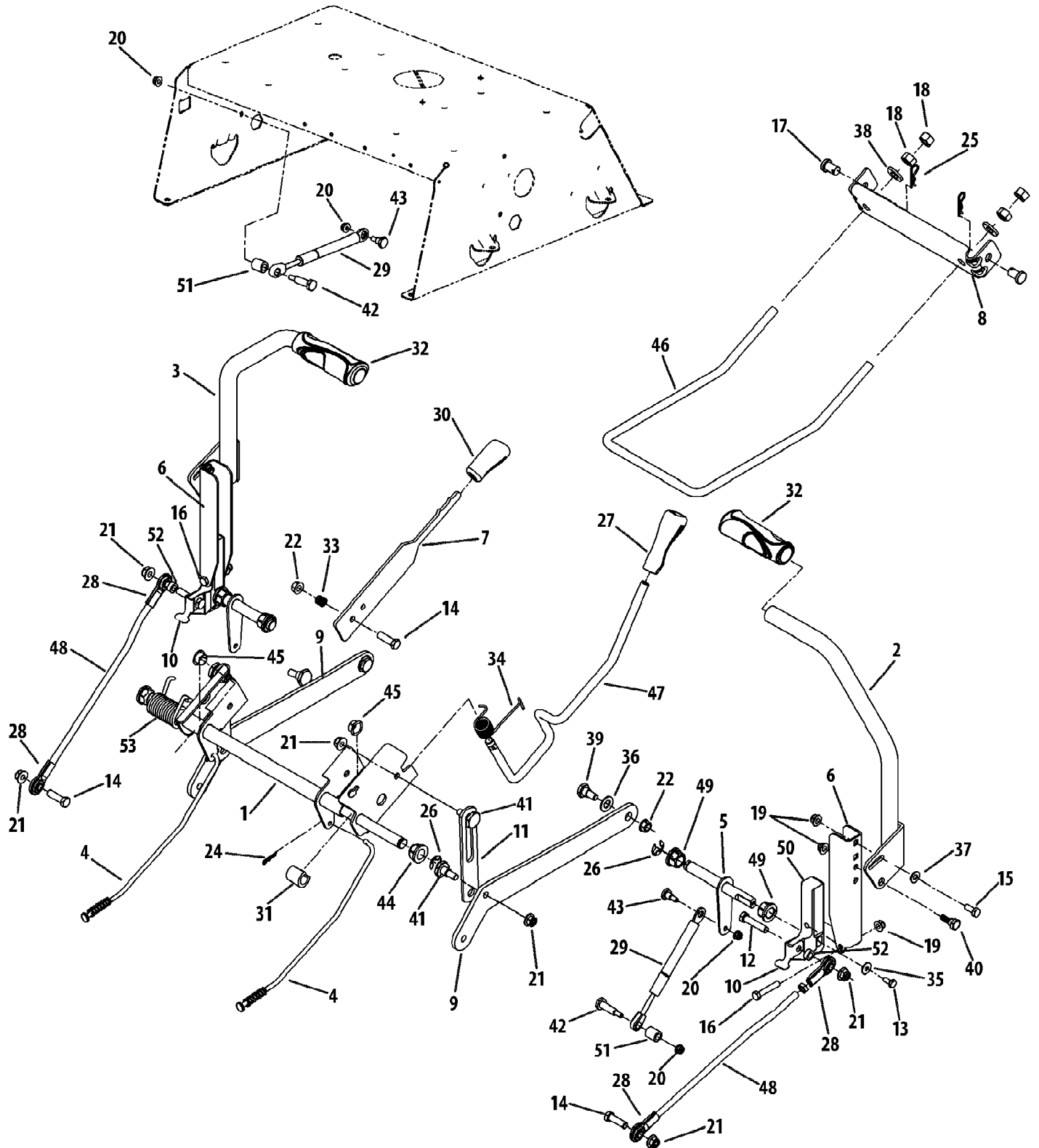


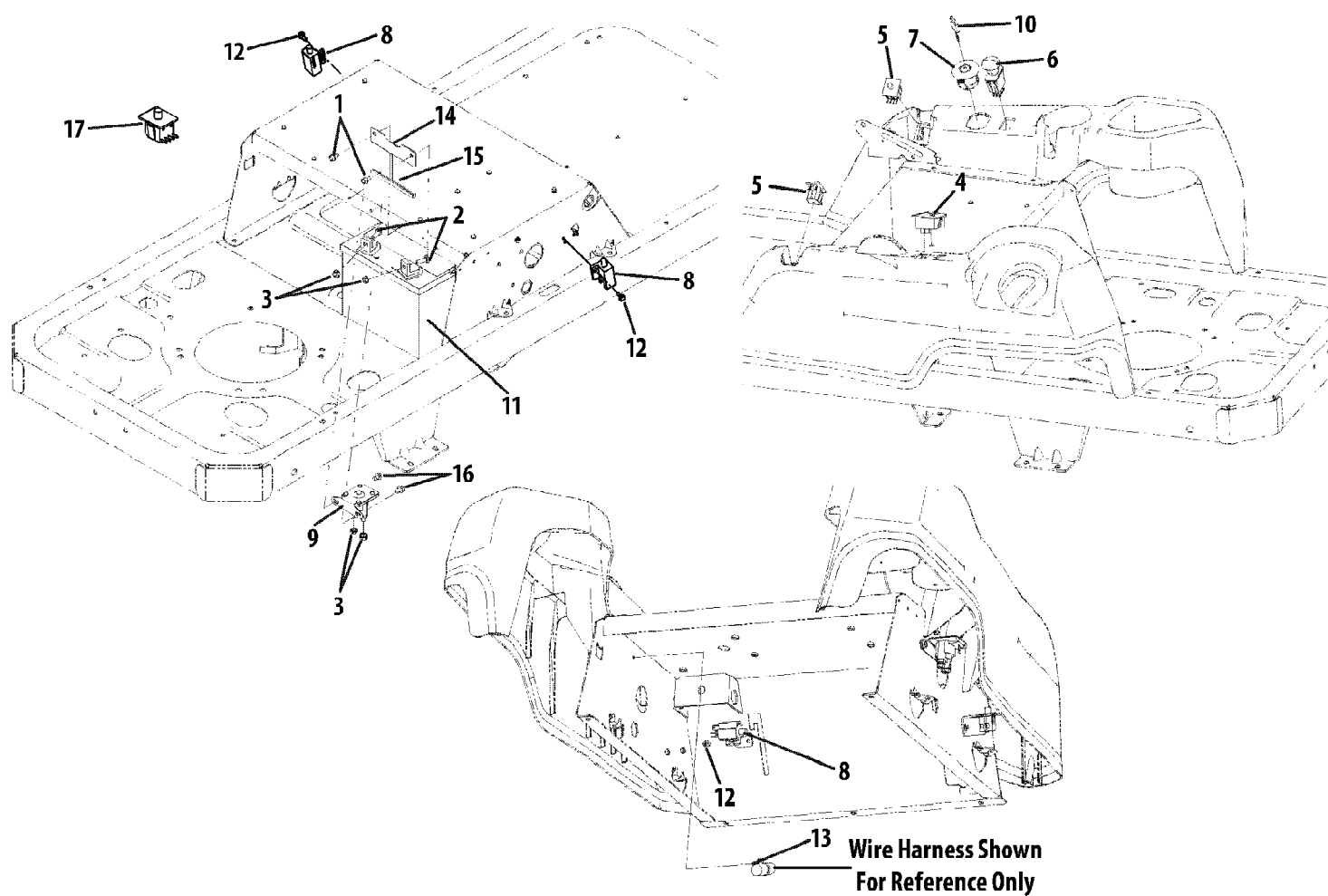
RZT50 Kawasaki 17AI2ACP (2009)
Deck Lift & Controls



RZT50 Kawasaki 17A12ACP (2009)
Deck Lift & Controls

Page 2 of 99

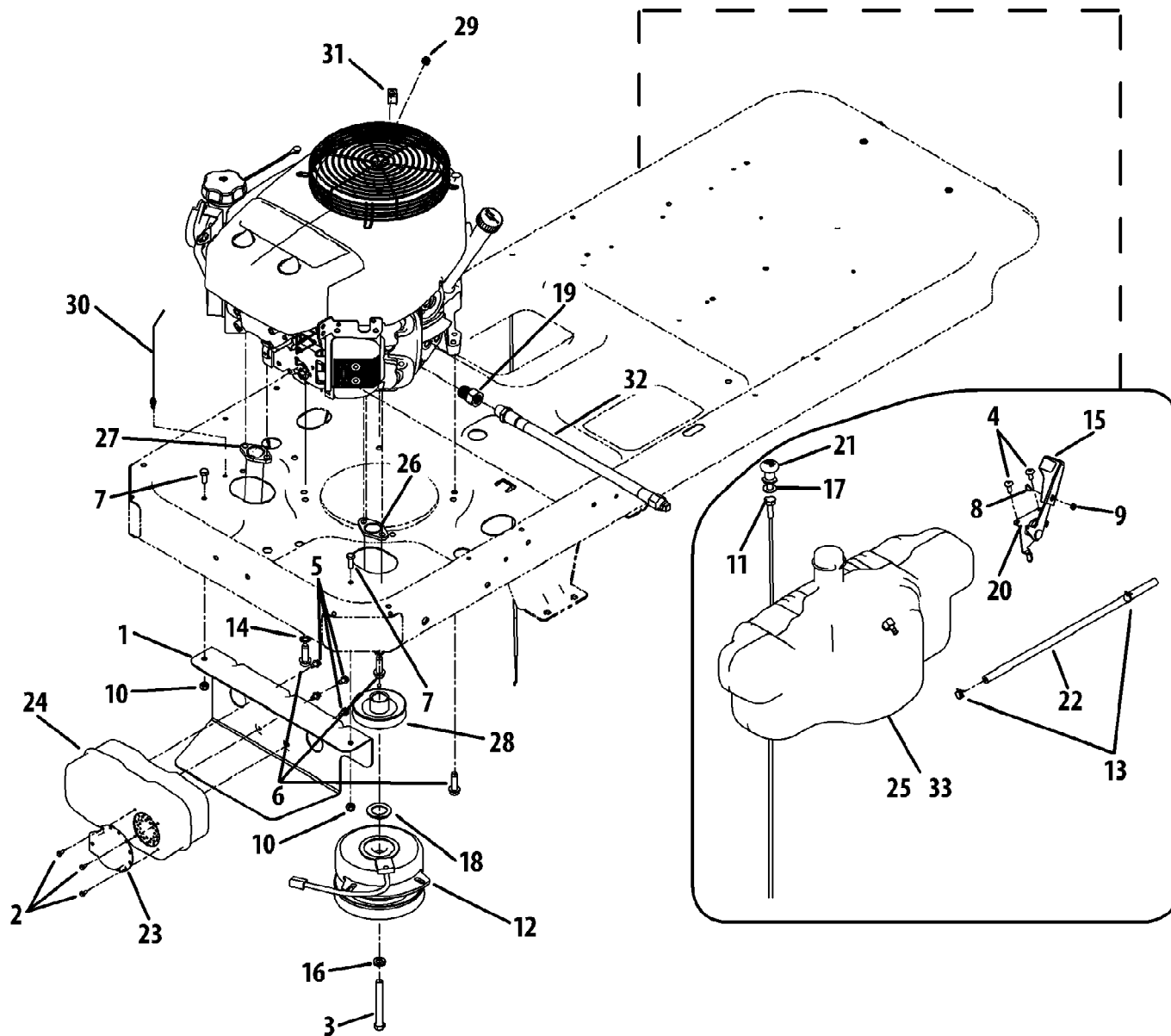
Ref #	Part Number	Qty	S/P/F	Description
1	603-04160B	1	S	Deck Lift Shaft Assembly
2	603-04322-0637	1		Lapbar Lever RH
3	603-04324-0637	1		Lapbar Lever LH
4	947-04065	1	/P	Brake Rod
5	647-04099A	1	/P	Control Shaft
6	703-05387B	1	/P	Lapbar Pivot Bracket
7	703-05396A-0637	1	/P	Brake Handle
8	703-05414A-4021	1		Front Deck Hanger Bracket
9	703-05793A-4021	1		Deck Lift Arm
10	703-06096	1		Switch Actuator Bracket
11	703-06169-0637	1	/P	Lift Link Plate
12	710-0347	1	/P	Hex Screw, 3/8-16 x 1.75
13	710-0433	1	/P	Hex Lock Screw, 1/4-20 x .62
14	710-3005	1	/P	Hex Cap Screw, 3/8-16 x 1.25
15	710-3008	1	/P	Hex Cap Screw, 5/16-18 x .75
16	710-3180	1	/P	Hex Cap Screw, 5/16-18 x 1.75
17	911-0332	1	/P	Clevis Pin, .50 x .78
18	912-0206	1	/P	Hex Nut, 1/2-13
19	712-04063	1	/P	Hex Flange Insert Lock Nut, 5/16-18
20	712-04064	1	/P	Hex Flange Insert Lock Nut, 1/4-20
21	712-04065	1	/P	Hex Flange Insert Lock Nut, 3/8-16
22	912-0431	1	/P	Hex Flange Lock Nut, 3/8-16
23	912-3001	1	/P	Jam Nut, 3/8-24
24	914-0104	1	/P	Cotter Pin
25	914-04023	1	/P	Cotter Pin
26	716-0106	1	/P	E-Ring, .625 Dia.
27	720-0311	1		Handle Grip
28	723-04035	1		Rod End
29	727-04141	1		Damper Cylinder
30	731-04735	1		Handle Grip
31	731-05732	1		Spacer, .62 x 1.0
32	731-05882	1		Hand Grip
33	932-0334	1	/P	Compression Spring
34	732-0874	1	/P	Torsion Spring
35	736-0270	1	/P	Bell Washer, .265 x .75 x .062
36	736-0272	1	S	Flat Washer, .51 x 1.0 x .06
37	936-0275	1	/P	Flat Washer, .344 x .688 x .065
38	736-3019	1		Flat Washer, .531 x 1.062 x .134
39	738-0143	1	/P	Shoulder Screw, .498 x .340 x 3/8-16
40	938-0296	1	/P	Shoulder Screw, .437 x .268 x 5/16-18
41	938-0507B	1	/P	Shoulder Screw, .5 x .434 x 3/8-16
42	938-0572	1	/P	Shoulder Screw, .374 x 1.16 x 1/4-20
43	938-0974	1	/P	Shoulder Screw, .375 x .38 x 1/4-20
44	941-0225	1	/P	Hex Flange Bearing
45	741-3074	1		Flange Bearing, .626 x .938 x .344
46	747-04401A	1		Deck Front Hanger Rod
47	747-04637	1		Deck Lift Handle Rod
48	747-05057	1		Lapbar Control Rod
49	948-0227A	1	/P	Hex Flange Bearing
50	748-04169A	1		Control Hub
51	750-04676	1		Spacer, .385 x .630 x .75
52	750-04776	1		Spacer, .380 x .625 x .265
53	732-04420	1		Torsion Spring



RZT50 Kawasaki 17A12ACP (2009)
Electrical

Page 4 of 99

Ref #	Part Number	Qty	S/P/F	Description
1	710-0599	1	/P	Hex Screw, 1/4-20 x .5
2	710-3015	1	/P	Hex Screw, 1/4-20 x .75
3	712-0271	1	/P	Hex Nut, 1/4-20
4	925-04022B	1	/P	Hour Meter
5	925-04165	1	/P	Double Pole - Neutral Switch
6	925-04174	1	/P	PTO Switch
7	925-04228	1	/P	Ignition Switch
8	725-04363	1		Interlock Switch
9	725-04439	1		Solenoid
10	925-1745A	1	/P	Key
11	925-1707D	1	/P	Battery, 235 CCA
12	725-04237A	1		Shoulder Screw, #10-32 x .500
13	726-0470	1		Cable Tie
14	703-05894-0637	1	/P	Batter Hold-down
15	731-0511	1	/P	Trim Strip
16	710-0653	1	/P	Hex Screw, 1/4-20 x .375
17	925-04040	1	/P	Seat Switch
	925-04847A	1	S	Harness Not shown

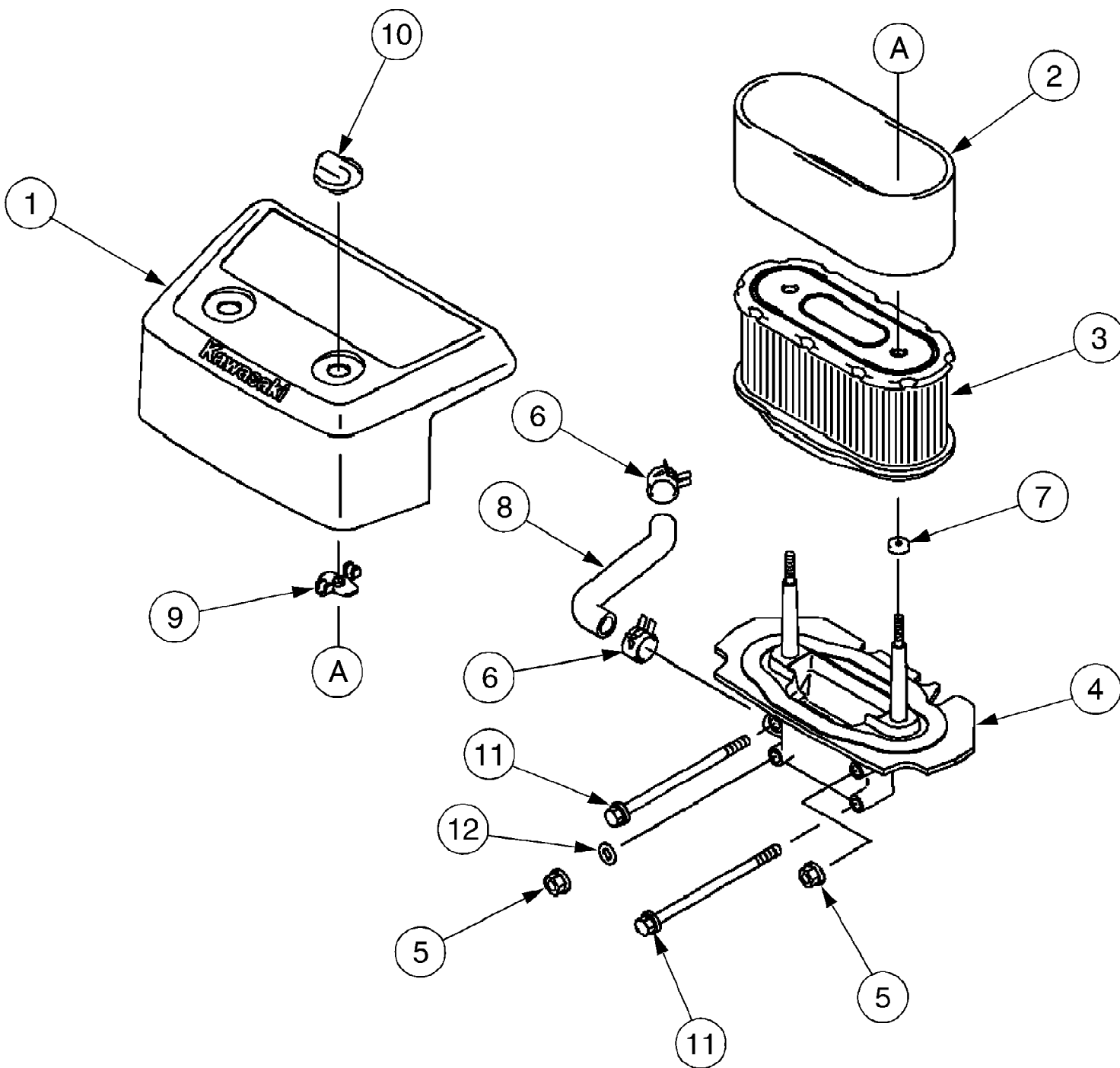


RZT50 Kawasaki 17A12ACP (2009)
Engine Connection

Page 6 of 99

Ref #	Part Number	Qty	S/P/F	Description
1	703-05441A	1	/P	Muffler Mounting Bracket
2	710-0227	1	/P	Hex Washer Head Screw, #8-18 x .5
3	710-04379A	1		Hex Cap Screw, 7/16-20 x 4.0
4	710-1017	1	/P	Hex Washer Hd. Screw, 1/4-14 x .625
5	710-0599	1	/P	Hex Washer Head Screw, 1/4-20 x .5
6	710-1315	1	/P	Hex Washer Hd. Screw, 3/8-16 x 1.25
7	710-3008	1	/P	Hex Cap Screw, 5/16-18 x .75
8	710-3217	1	/P	Hex Truss Hd. Machine, #8-32 x .375
9	712-0142	1	/P	Hex Nut, #8-32
10	912-0429	1	/P	Hex Insert Lock Nut, 5/16-18
11	912-3005	1	/P	Hex Jam Nut, 3/8-16
12	917-04552	1	/P	Electric PTO Clutch Assembly
13	726-0205	1	/P	Hose Clamp
14	736-0148	1	/P	External Tooth Lock Washer, 3/8
15	731-04914	1	/P	Throttle Control Knob
16	936-0171	1	/P	Lock Washer, 7/16
17	936-0300	1	/P	Flat Washer, .406 x .875 x .059
18	736-0277	1		Flat Washer, 1.031 x 1.620 x .095
19	737-04138	1		Hex Fitting
20	946-04581	1	/P	Throttle Cable 49.25 LG
20	746-04066	1		Throttle Cable, 34.25 LG Not shown, FH661V-AS05 engine only
21	746-04214	1	S	Choke Cable, 61 LG
22	751-10349	1		Fuel Line Hose
23	751-0564B	1	/P	Muffler Deflector
24	751-0616B	1	/P	Muffler
25	751-10692	1		Fuel Tank, 3.5 Gallon (49-State)
25	751-10442	1		Fuel Pick-Up Fitting not shown, (49-State)
25	935-0149	1	/P	Fuel Tank Bushing not shown, (49-State)
25	751-10703A	1	/P	Fuel Cap not shown, (49-State)
26	751-10770	1		Exhaust Pipe, RH
26	751-10355	1		Exhaust Pipe, RH Not shown, FH661V-AS05 engine only
27	751-10771	1		Exhaust Pipe, LH
27	751-10356	1		Exhaust Pipe, LH Not shown, FH661V-AS05 engine only
28	756-04376	1		Drive Pulley
29	712-0271	1	/P	Sems Nut, 1/4-20
30	926-0154	1	/P	Push Mount Cable Tie
31	726-0272	1	/P	Clamp
32	751-10291	1		Oil Drain Hose
32	751-10517	1	S	Oil Drain Valve Not shown, FH661V-AS05 engine only
32	751-3141	1	S	Oil Drain Extension Hose Not shown, FH661V-AS05 engine only
33	751-10439	1		Fuel Tank (California Models Only)
33	935-0149	1	/P	Fuel Tank Bushing not shown, (California Models Only)
33	735-04081	1		Rubber Grommet not shown, (California Models Only)

Ref #	Part Number	Qty	S/P/F	Description
33	751-10441	1		Rollover Valve Grommet not shown, (California Models Only)
33	751-10442	1		Fuel Pick-Up Fitting not shown, (California Models Only)
33	751-10447A	1		Fuel Cap not shown, (California Models Only)
	726-0197	1		Clutch Cable Tie Not Shown



RZT50 Kawasaki 17AI2ACP (2009)
FH661V-AS05 Air Filter

Ref #	Part Number	Qty	S/P/F	Description
1	KM-11011-6001	1	/P	Case, Air Filter Replaces KM-11011-7003
2	KM-11013-7009	1		Element, Air Filter
3	KM-11013-7027	1		Element, Air Filter
4	KM-16060-7001	1	/P	Pipe, Intake Replaces KM-16060-7014
5	KM-92015-1193	2		Nut
6	KM-92171-7013	2	/P	Clamp Replaces KM-92037-2079
7	KM-92055-7005	2		O-Ring
8	KM-92191-7006	1		Tube
9	KM-92210-7004	2		Nut
10	KM-11011-6001	2	/P	Nut Replaces KM-92210-7015
11	KM-130B06105	3	S	Bolt, Flanged
12	KM-411B0600	1		Washer, Plain