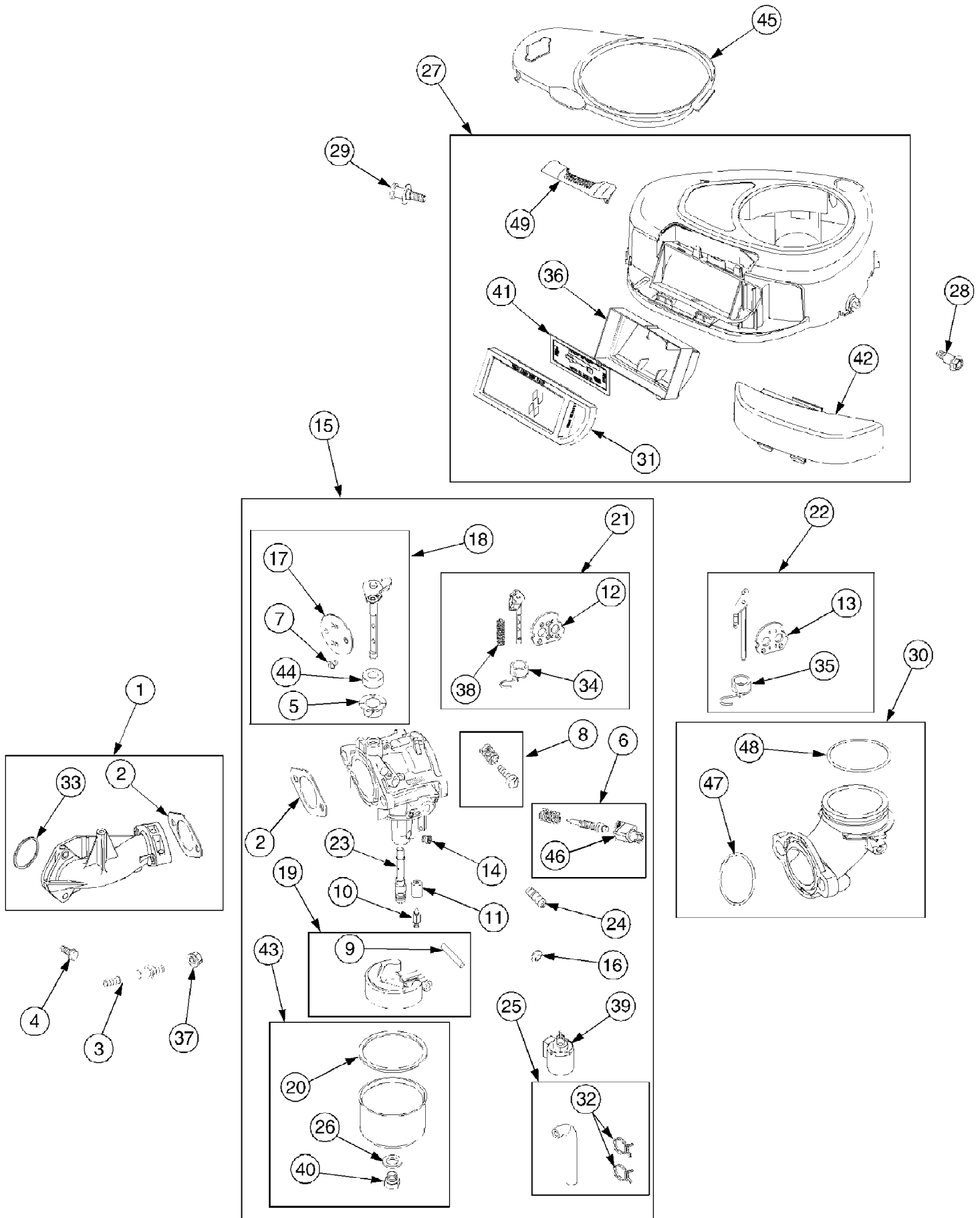


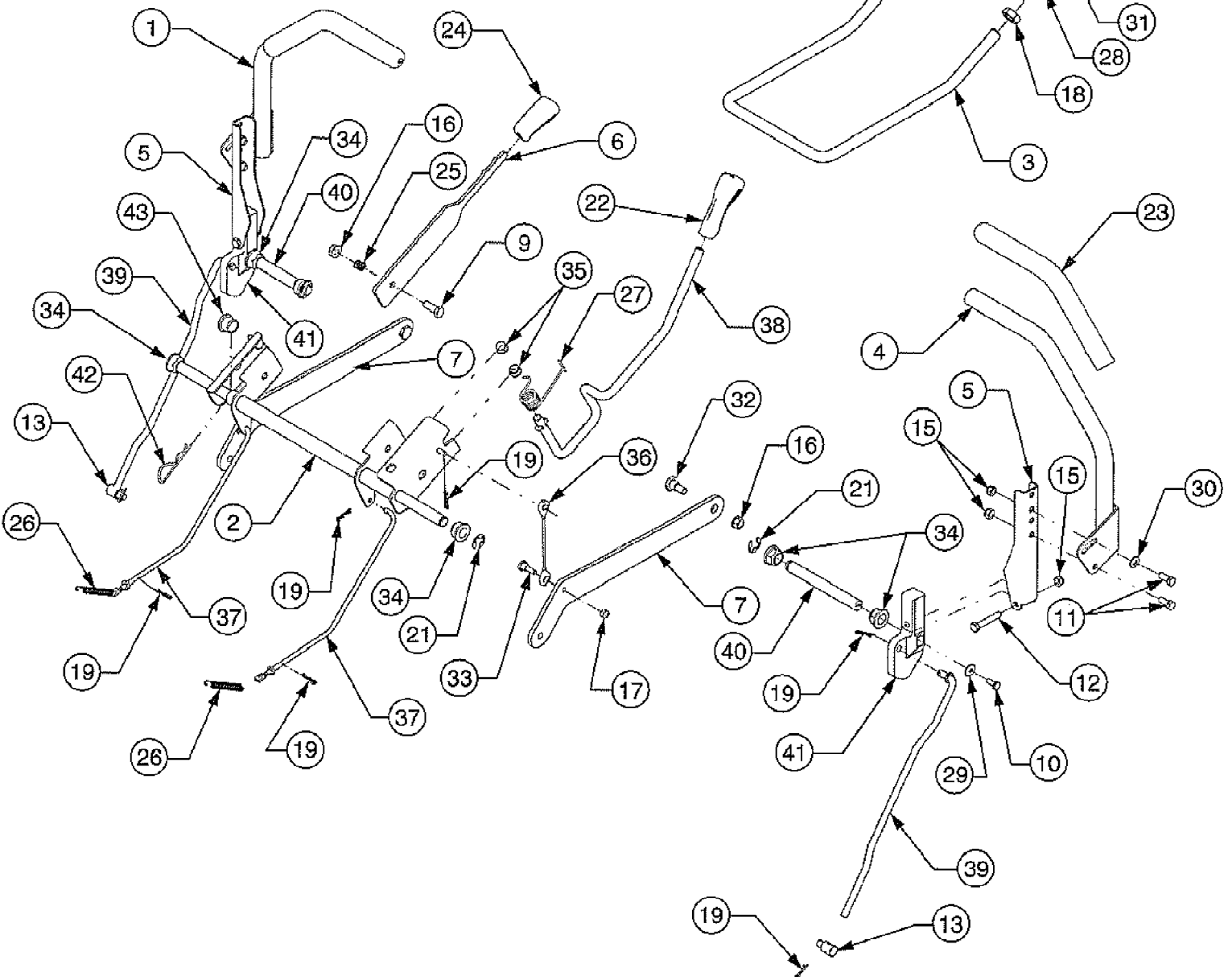
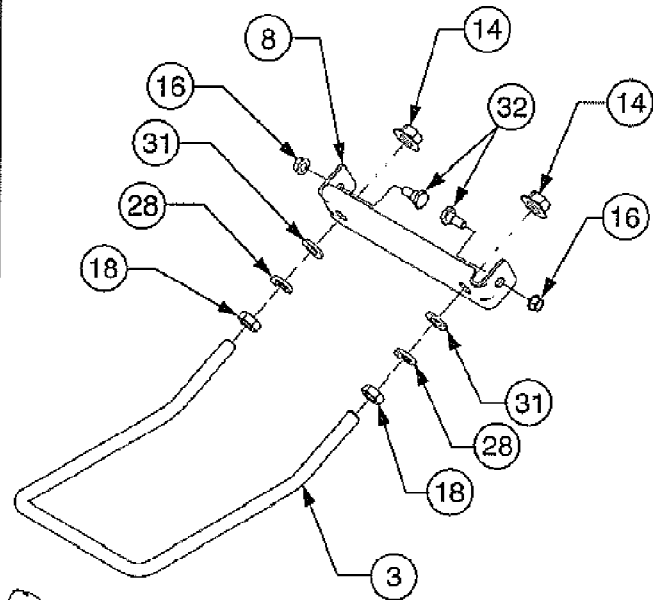
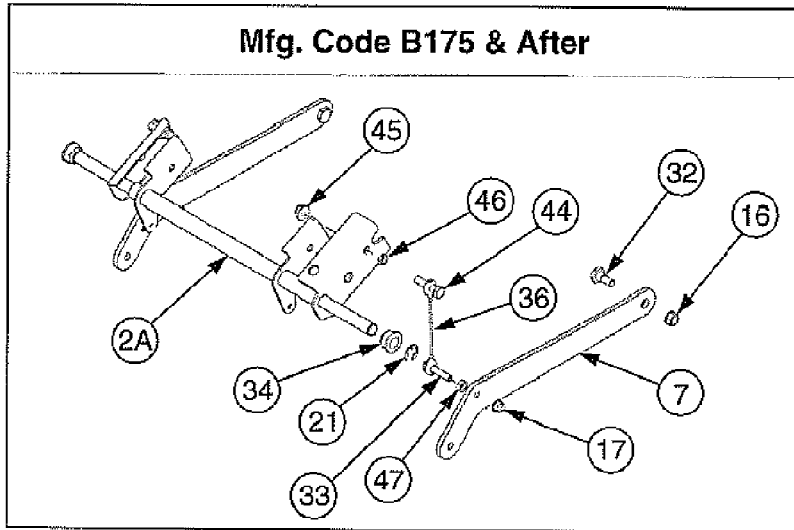
RZT42 B&S Intek
Carburetor, Air Cleaner And Manifold



RZT42 B&S Intek
Carburetor, Air Cleaner And Manifold

Page 2 of 45

Ref #	Part Number	Qty	S/P/F	Description
1	BS-690193	1		Manifold, Intake
2	BS-692137	1	/P	Gasket, Intake
3	BS-690227	1		Stud (Carburetor)
4	BS-691148	4		Screw (Intake Manifold)
5	BS-690602	1		Bushing, Throttle Shaft
6	BS-498030	1		Kit, Idle Mixture
7	BS-691636	2	/P	Screw (Throttle Valve)
8	BS-495800	1		Kit, Idle Speed
9	BS-690525	1	/P	Pin, Flpat Hinge
10	BS-231855	1	S	Valve, Float Needle
11	BS-690577	1	/P	Seal, Inlet (LMT697204)
	BS-691780	1	/P	Seal, Inlet (LMT697202)
12	BS-690464	1		Valve, Choke
13	BS-692344	1		Valve, Choke
14	BS-694352	1		Jet, Main (Standard)
	BS-697228	1		Jet, Main (High Altitude)
15	BS-698445	1	S	Carburetor
16	BS-695005	1		Plug, Welch
17	BS-691750	1		Valve, Throttle
18	BS-494379	1	S	Kit, Throttle Shaft
19	BS-494381	1	/P	Float, Carburetor
20	BS-281165	1	S	Gasket, Float Bowl
21	BS-495097	1	S	Kit, Choke Shaft
22	BS-495931	1	S	Kit, Choke Shaft
23	BS-697140	1		Nozzle, Carburetor
24	BS-698174	1		Connector, Hose
25	BS-697098	1	S	Line, Fuel
26	BS-692255	1	/P	Sealing Washer
27	BS-698599	1	S	Housing, Blower
28	BS-697102	3		Screw (Blower Housing)
29	BS-697103	1		Screw (Blower Housing)
30	BS-697122	1		Elbow, Intake
31	BS-698083	1	S	Filter, Air Cleaner Cartridge
32	BS-95162	2	S	Clamp, Hose
33	BS-692138	1		O-Ring Seal
34	BS-690801	1		Spring/Seal Assembly
35	BS-690802	1	/P	Spring/Seal Assembly
36	BS-698401	1		Retainer, Air Filter
37	BS-690958	1	/P	Nut (Carburetor)
38	BS-690572	1	/P	Spring, Detent
39	BS-694393	1		Solenoid, Fuel
40	BS-691657	1	/P	Screw, Float Bowl
41	BS-697015	1	/P	Filter, Pre Cleaner
42	BS-698403	1		Cover, Air Cleaner
43	BS-495933	1	/P	Bowl, Float
44	BS-691326	1	/P	Seal, Throttle Shaft
45	BS-699852	1		Plate, Trim
46	BS-691333	1	/P	Cap, Limiter
47	BS-691917	1	/P	O-Ring Seal
48	BS-697123	1		O-Ring Seal
49	BS-697419	1		Latch, Blower Housing



RZT42 B&S Intek
Controls And Deck Lift

Ref #	Part Number	Qty	S/P/F	Description
1	603-04150	1	S	Lever, Lapbar, LH
2	603-04160	1	S/F	Shaft Assembly, Deck Lift also furnish (2) 759-04085
2A	603-04160	1	S/F	Shaft Assembly, Deck Lift also furnish (4) 759-04085
3	747-04223A	1	/P	Rod, Deck Front Hanger
4	603-04181A	1		Lever, Lapbar, RH
5	703-05387	2	S	Bracket, Lapbar Pivot
6	703-05396	1	S	Handle, Brake
7	703-05401	1	S/F	Arm, Deck Lift, with 1/4" hole
7	703-05793	2	/P/F	Arm, Deck Lift, with 5/16" hole
8	703-05414	1		Bracket, Front Deck Hanger
9	710-0514	1	/P	Screw, Hex Cap, 3/8-16 x 1.0 GR5 ..
10	710-0433	2	/P	Screw, Hex Lock, 1/4-20 x .62 GR5 .
11	710-3008	4	/P	Screw, Hex Cap, 5/16-18 x .75 GR5
12	710-3180	2	/P	Screw, Hex Cap, 5/16-18 x 1.75 GR5
13	711-0832	2	S	Ferrule, 3/8-24 x .375
14	712-0417A	2	/P	Nut, Hex Flange, 5/8-18
15	712-0429	6	S	Nut, Hex Insert Lock, 5/16-18 GR5 ..
16	712-0431	5	S	Nut, Hex Flange Lock, 3/8-16 GRF
17	712-0380	1		Nut, Hex Flange Lock, 1/4-28 GR2, use with ref 7
17	712-04063	2	/P	Nut, Hex Flange Insert Lock, 5/16-18 GrF, use with ref 7
18	712-3056	2	/P	Nut, Hex Jam, 5/8-18 GR5
19	714-0104	10	S	Pin, Internal Cotter
21	716-0106	4	/P	E-Ring , .625 Dia. Shaft
22	720-0311	1		Grip, Handle
23	731-04719	2	S	Grip, Lapbar
24	731-04735	1		Grip, Handle
25	732-0334	1	S	Spring, Compression
26	732-0611	2	S	Spring, Extension
27	732-0874	1	/P	Spring, Torsion
28	736-0158	2	S	Washer, Lock, 5/8
29	736-0270	2	/P	Washer, Bell, .265 x .75 x .062
30	736-0275	2	S	Washer, Flat, .344 x .688 x .065
31	736-0366	2	/P	Washer, Flat, .64 x 1.12 x .125
32	738-0143	4	/P	Screw, Shoulder, .498 x .340:3/8-16
33	738-04100	1		Screw, Shoulder, 1/4-28 x .375, use with ref 7
33	710-0805	2	/P	Screw, Hex Cap, 5/16-18 x 1.5 GR5, use with ref 7
34	741-0225	6	S	Bearing, Hex Flange
35	741-0715	2	S	Bearing, Flange Snap, .50 ID
36	746-0970	2		Cable, Deck Lift, 5.05 Long, also furnish (4) 759-04085
37	747-04218	2		Rod, Brake
38	747-04224	1		Rod, Deck Lift Handle
39	747-04225	2	S	Rod, Lapbar Control
40	747-04226	2	S	Shaft, Control
41	748-04052	2		Hub, Control