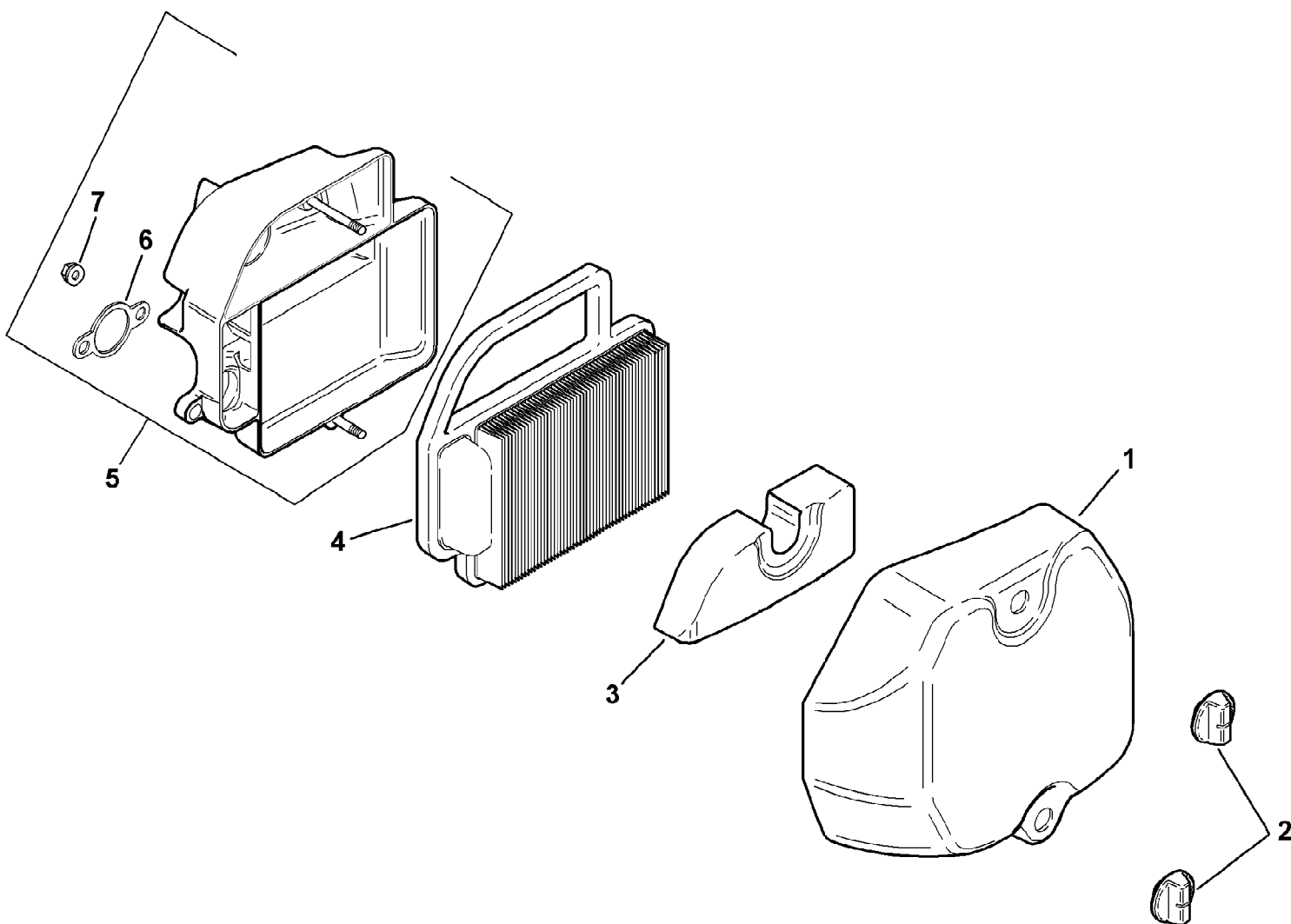


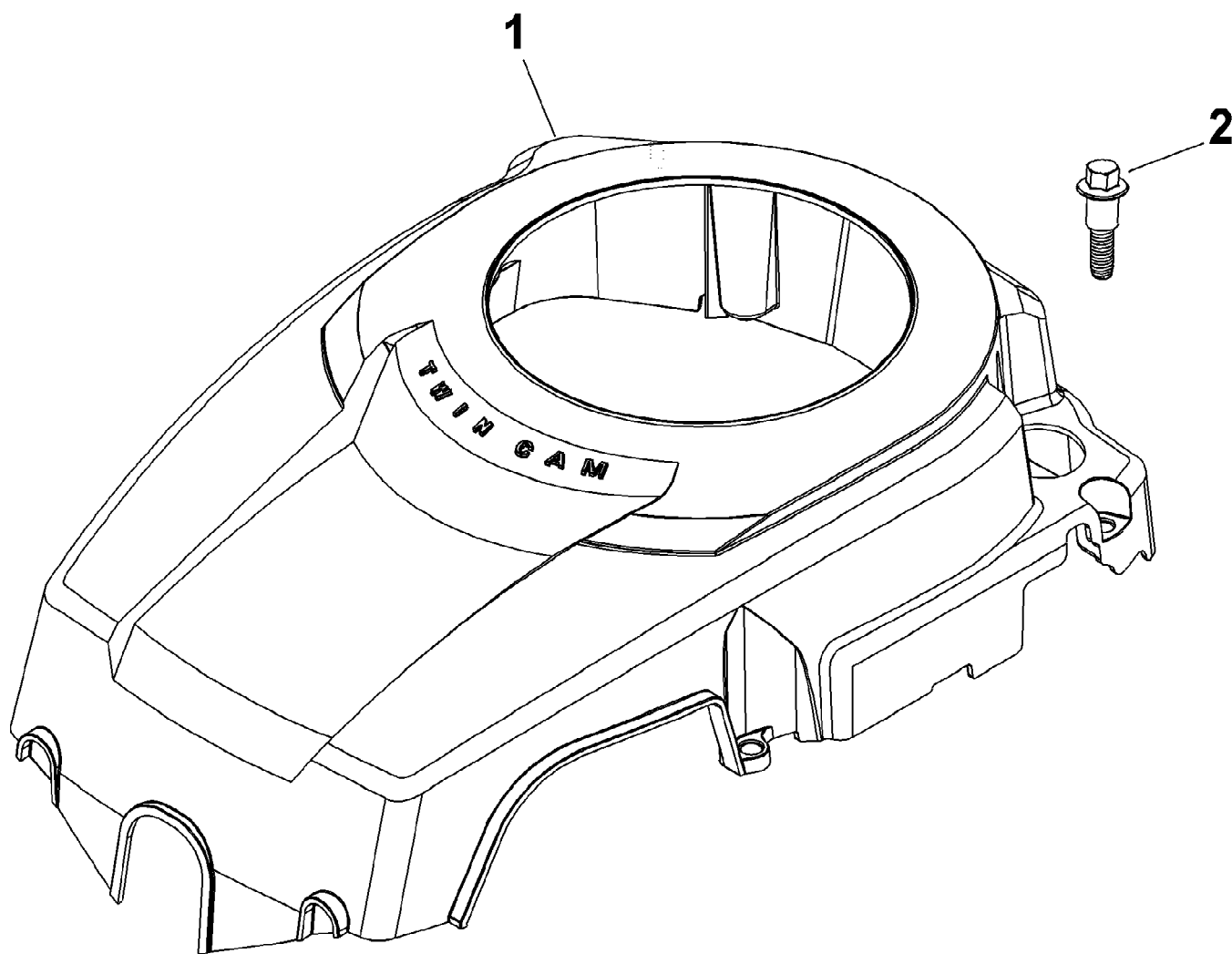
Ref #	Part Number	Qty	S/P/F	Description
1	683-04305B	1	S	Frame Assembly
2	710-04379A	1		Screw, Hex Cap Lock, 7/16-20 x 3.5 Gr5
3	710-04484	1		Screw, Hex Wash. Hd. Tapp, 5/16-18 x .75
4	710-04666	1		Screw, Hex Flange Hd. , 1/4-20 x .75 Gr5
5	710-0599	1	/P	Screw, Hex Wash. Hd. Tapp, 1/4-20 x .5
6	710-0642	1	/P	Screw, Hex Wash. Hd. Tapp, 1/4-20 x .75
7	710-3005	1	/P	Screw, Hex Cap, 3/8-16 x 1.25 Gr5
8	712-0271	1	/P	Nut, Hex Sems, 1/4-20
9	712-04064	1	/P	Nut, Hex Flange Insert Lock, 1/4-20 GrF
10	712-04065	1	/P	Nut, Hex Flange Insert Lock, 3/8-16 GrF
11	712-3087	1	/P	Nut, Wing, 1/4-20
12	717-04174A	1	S	Clutch, Electric PTO
13	725-0157	1	/P	Cable Tie
14	725-04439	1		Solenoid, Start
15	925-1707D	1	/P	Battery - Dry
16	731-05659	1		Bushing, Steering Shaft
17	736-0171	1	S	Washer, Lock, 7/16
18	738-04058	1		Screw, Shoulder, .38 x 1.0 x .7
19	738-1132	1		Screw, Shoulder, .25 x .15:1/4-20
20	747-04215	1	S	Strap, Battery
21	750-04763	1		Spacer, 1.37 x 1.00 x .25
22	756-0978B	1	/P	Pulley, Engine
23	783-04419B	1	S	Bracket, Clutch
24	783-04467	1		Bracket, Deck Up-Stop
25	783-04806	1		Bracket, Pivot Bar
26	783-04844	1		Bracket, Pivot Support RH
27	783-04845	1		Bracket, Pivot Support LH
28	783-04868	1	S	Bracket, Steering Support
29	783-04910A	1	S	Bracket, Support Fender
30	783-05469	1		Bracket, Battery Support
31	783-05617	1	S	Bracket, Running Board Support
32	783-05760	1	S	Bracket, Pivot Bar Support
33	783-05850	1	S	Plate, Seat Frame
34	710-0726	1	/P	Screw, Hex Wash. Hd. Tapp, 5/16-12 x .75
	725-04375A	1	S	Harness, Main Wire Not shown



Ref #	Part Number	Qty	S/P/F	Description
1	683-04219A	1	S	Bumper Assembly
2	710-0192	1	/P	Screw, Truss Hd. Mach., 10-24 x .375
3	710-0599	1	/P	Screw, Hex Wash Hd. Tapp, 1/4-20 x .5
4	710-0604A	1	/P	Screw, Hex Wash Hd. Tapp, 5/16-18 x .625
5	710-0607	1	/P	Screw, Hex Wash Hd. Tapp, 5/16-18 x .5
6	710-0642	1	/P	Screw, Hex Wash Hd. Tapp, 1/4-20 x .75
7	710-0895	1		Screw, Hex Wash Hd. Tapp, 1/4-15 x .75
8	710-3217	1	/P	Screw, Truss Hd. Mach., #8-32 x .375
9	712-0142	1	/P	Nut, Hex, 8-32
10	712-04065	1	/P	Nut, Hex Flange Insert Lock, 3/8-16 GrF
11	725-0157	1	/P	Tie, Cable
12	725-04022B	1	S	Meter, Indicator/Service Monitor
13	725-04258	1	/P	Switch, PTO
14	725-04227B	1	S	Switch, Ignition/Module
15	725-2054A	1	S	Key, Ignition Switch
16	725-2003	1		Receptacle, 12V Power
16	720-3025	1		Plug, Button i1046 2009 & After
17	725-0963	1	S	Bulb, 12V Light
18	725-1649	1	S	Receptacle, Light
19	726-3046	1	/P	Clip, Ratchet
20	731-04213	1		Lever, Dash Brake
21	731-05368	1		Cap, Bumper
22	731-05406	1		Panel, Dash
23	731-05434	1		Hood
24	731-05435	1		Plenum, Hood
25	731-05525	1		Lense, Head Light LH
26	731-05526	1		Lense, Head Light RH
27	731-3161A	1	S	Knob, Throttle Control
28	735-0149	1	S	Bushing, Fuel Tank
29	735-0271A	1	/P	Bumper
30	735-04076	1		Net, Storage
31	736-0463	1	S	Washer, Flat, .25 x .63 x .0515
32	738-0143	1	/P	Bolt, Shoulder, .496 x .336:3/8-16
33	738-04091A	1	/P	Screw, Shoulder, .43 x .29:TT5/16-18
34	746-04120	1		Cable, Choke Control Twin Cylinder
34	746-04121	1		Cable, Choke Control Single Cylinder
35	746-1100	1	S	Cable, Throttle Control Twin Cylinder
35	746-1087	1	S	Cable, Throttle Control Single Cylinder
36	747-1155	1		Rod, Brake Lock Pivot
37	751-10442	1		Fitting, Fuel Pick Up
38	751-10692	1		Tank, Fuel
39	751-10703	1	S	Cap, Fuel Tank
40	783-04285F	1	S	Support, Dash, R.H.
41	783-04323F	1	S	Support, Dash, L.H.
42	783-04606B	1		Bracket, Hood Pivot
43	783-04840	1		Bracket, Hood Pivot RH
44	783-04841	1		Bracket, Hood Pivot LH
45	783-05162	1	S	Bracket, Hood Support
46	777X42426	1		Label, Reflector
47	777X42427	1		Label, Reflector



Ref #	Part Number	Qty	S/P/F	Description
1	KH-20-096-04-S	1		Air Cleaner Cover
2	KH-25-341-05-S	1		Cover Knob
3	KH-20-083-03-S	1	S	Pre-Cleaner Element
4	KH-20-083-02-S	1	S	Air Cleaner Element
5	KH-20-094-04-S	1	/P	Air Cleaner Base Kit (Inc. 6 & 7)
6	KH-12-041-02	1	/P	Air Cleaner Base Gasket
7	KH-M-641060-S	1	/P	Hex Flange Nut, M6 x 1.0



i1046 Tractor 2008 & After  
Kohler SV600-0009 Blower Housing & Baffles

Ref #	Part Number	Qty	S/P/F	Description
1	KH-20-027-07-S	1	/P	Blower Housing
2	KH-20-086-06-S	1	/P	Shoulder Screw, M6 x 1.0 x 26



