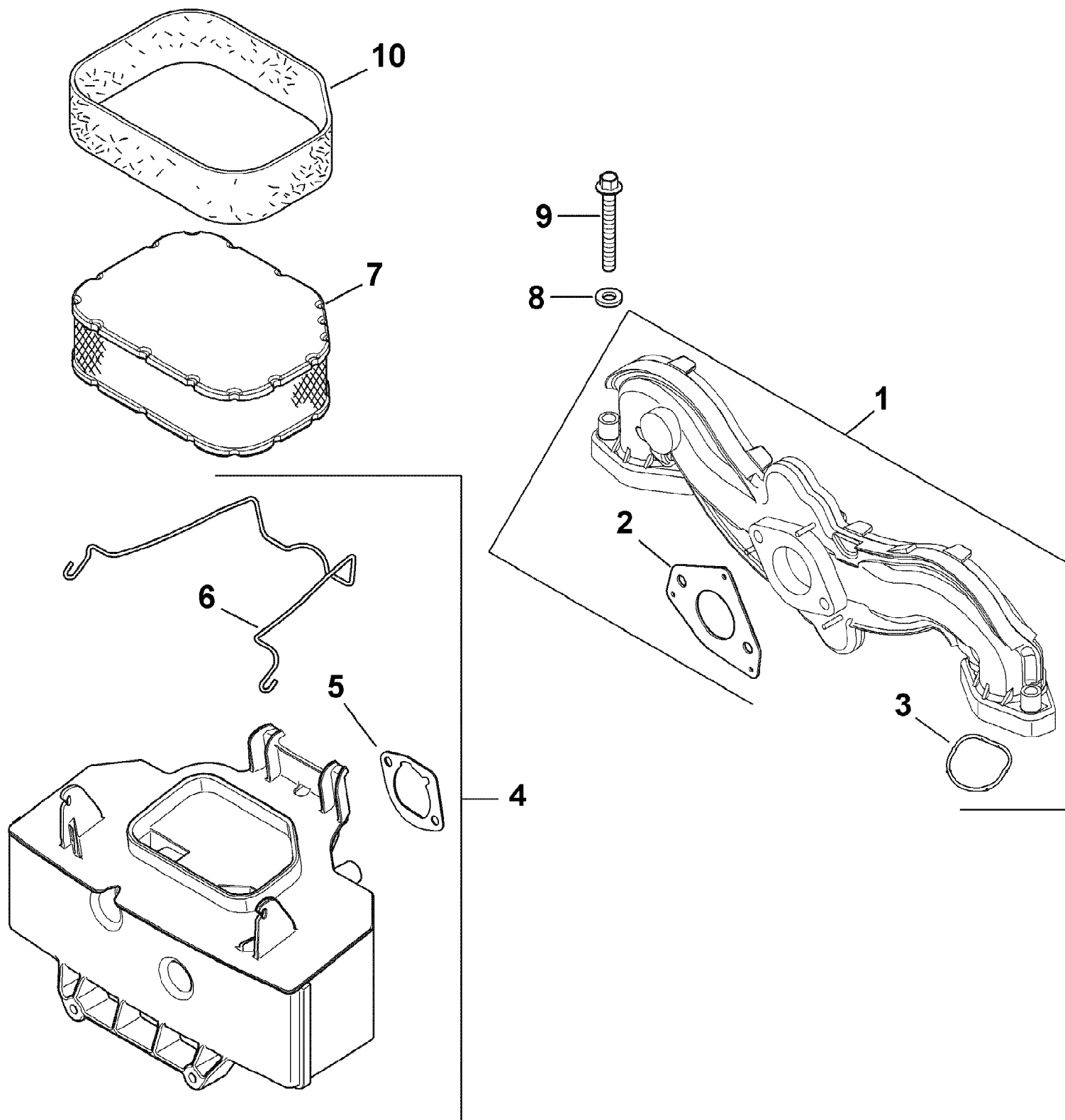
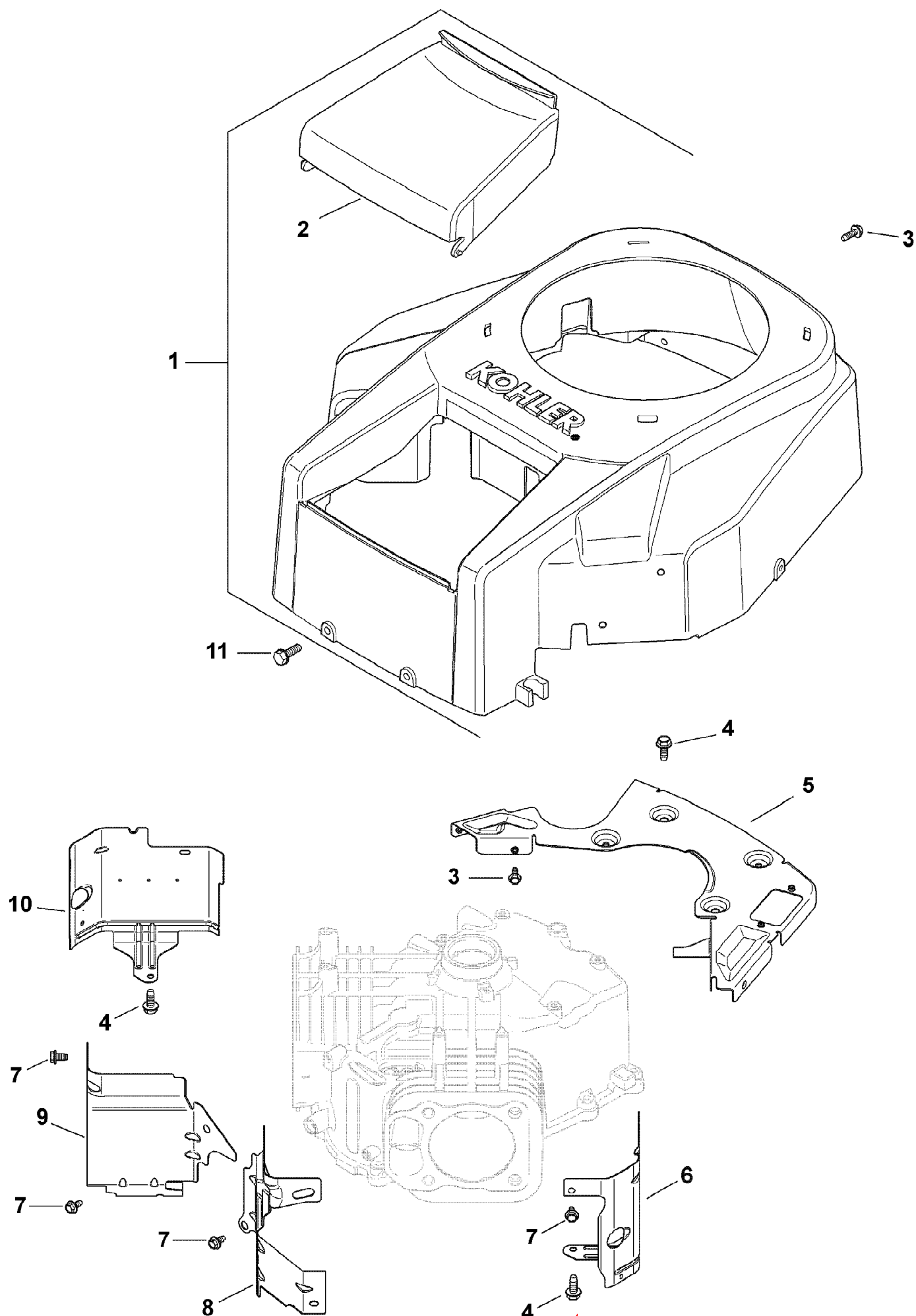


i1046 Tractor 2007 & Before  
Air Filter Intake Manifold



Ref #	Part Number	Qty	S/P/F	Description
1	KH-24-164-51-S	1	S	Manifold, Intake
2	KH-24-041-52-S	1	/P	Gasket, Carburetor
3	KH-24-153-27-S	1	/P	O-Ring, Intake Port
4	KH-32-094-04-S	1	/P	Base, Air Cleaner w/Gasket, Latch
5	KH-24-041-14	1	/P	Gasket, Air Cleaner Base
6	KH-32-344-02-S	1		Latch, Air Cleaner Element
7	KH-32-083-03-S	1	S	Element, Air Filter
8	KH-X-25-63	1	/P	Washer, Flat, 1/4
9	KH-M-651040-S	1		Screw, Flange, M6 x 1.0 x 40
10	KH-32-083-05-S	1	S	Pre-Cleaner, Element



i1046 Tractor 2007 & Before  
Blower Housing Baffles

Ref #	Part Number	Qty	S/P/F	Description
1	KH-32-027-03-S	1		Kit, Blower Hsng (Incl. Ref.2 & KH-41-037-10-S)
2	KH-32-096-08-S	1		Cover, Air Cleaner
3	KH-M-545016-S	1	/P	Screw, Flng Thrd. Frmng M5 x 0.8x 16
4	KH-M-645016-S	1	/P	Screw, Flng Thrd. Frmng M6 x 1.0 x 16
5	KH-32-146-05-S	1		Plate, Backing
6	KH-32-063-05-S	1		Baffle, Cyl. Barrel - #2 Side
7	KH-M-545010	1	S	Screw, Flng Thrd. Frmng M5 x 0.8x 10
8	KH-32-063-02-S	1		Baffle, Valley #2 Side
9	KH-32-063-03-S	1		Baffle, Valley #1 Side
10	KH-32-063-06-S	1		Baffle, Cylinder Barrel - #1 Side
11	KH-24-086-12	1		Screw, Tap, M6 x 1.7 x 18
	KH-41-037-10-S	1		Nameplate, Service Not Illustrated
	KH-32-113-20-S	1		Decal, Cub Not Illustrated