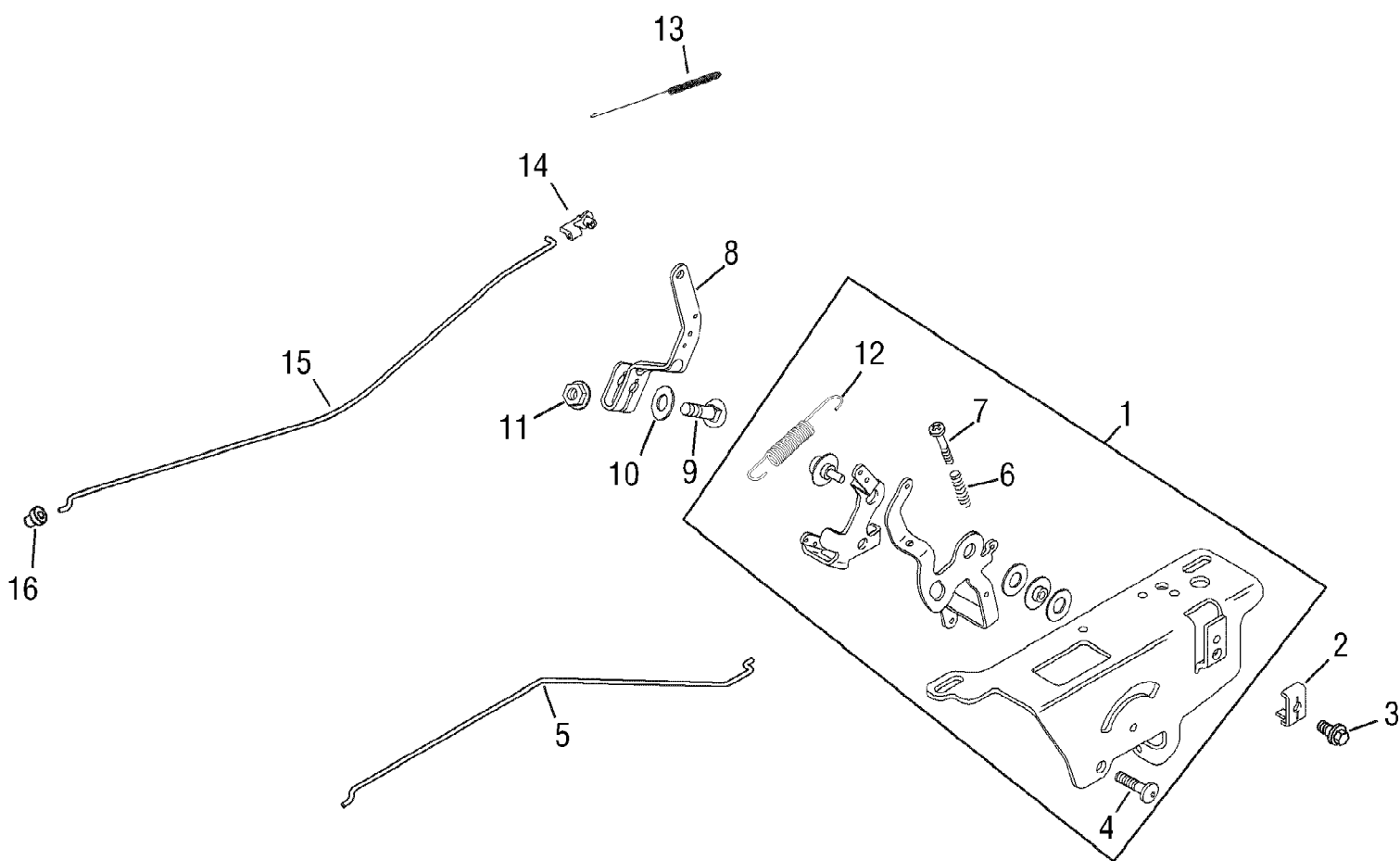


i1042 Tractor
Engine SV540-0020 Air Intake & Filtration

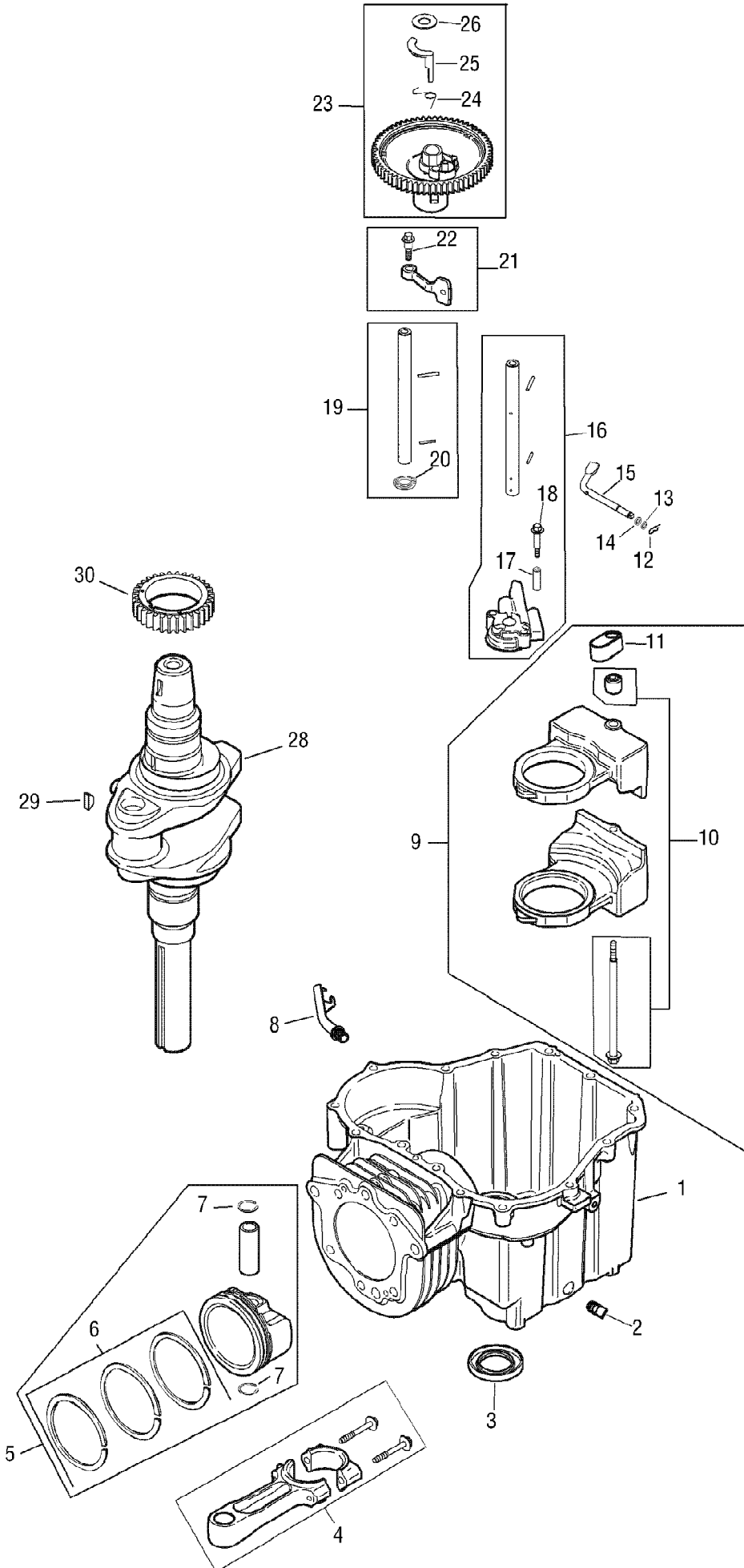
| Ref # | Part Number | Qty | S/P/F | Description |
|-------|----------------|-----|-------|------------------------------------|
| 1 | KH-20-096-04-S | 1 | | Cover, air cleaner |
| 2 | KH-25-341-04-S | 1 | /P | Knob, cover |
| 3 | KH-20-083-03-S | 1 | S | Element, precleaner |
| 4 | KH-20-083-02-S | 1 | S | Element, air cleaner |
| 5 | KH-20-094-01-S | 1 | S | Kit, air cleaner base (Includes 6) |
| 6 | KH-12-041-02 | 1 | /P | Gasket, air cleaner base |



i1042 Tractor
Engine SV540-0020 Controls

Page 4 of 67

| Ref # | Part Number | Qty | S/P/F | Description |
|-------|----------------|-----|-------|--|
| 1 | KH-20-536-05-S | 1 | /P | Control Assembly, Speed (Includes 4,6,7 & 12) |
| 2 | KH-12-237-01 | 1 | | Clamp, cable |
| 3 | KH-M-545016-S | 1 | /P | Screw, hex fl ange thread forming M5 x 0.8 x 16 |
| 4 | KH-M-664020-S | 1 | | Screw, 6 lobed socket thread forming M6 x 1.0 x 20 |
| 5 | KH-20-079-05-S | 1 | | Linkage, choke |
| 6 | KH-12-089-11 | 1 | S | Spring, speed control |
| 7 | KH-20-086-10-S | 1 | | Screw, hex fl ange thread forming M4 x 0.7 x 25 |
| 8 | KH-20-090-02-S | 1 | S | Lever, governor |
| 9 | KH-52-211-04 | 1 | | Bolt, round head square neck 1/4-20 x 1" |
| 10 | KH-X-22-11 | 1 | | Washer, internal tooth lock 1/4" |
| 11 | KH-12-100-07 | 1 | | Nut, hex. fl ange 1/4-20" |
| 12 | KH-20-089-11-S | 1 | /P | Spring, governor |
| 13 | KH-20-089-10-S | 1 | | Spring, linkage |
| 14 | KH-25-158-11 | 1 | /P | Bushing, throttle linkage |
| 15 | KH-20-079-04-S | 1 | S | Linkage, throttle |
| 16 | KH-25-158-08 | 1 | /P | Bushing, linkage retaining |



i1042 Tractor

Page 6 of 67

Engine SV540-0020 Crankcase & Crankshaft

| Ref # | Part Number | Qty | S/P/F | Description |
|-------|----------------|-----|-------|--------------------------------------|
| 1 | | 1 | | Crankcase, Use Short Block |
| 1 | KH-20-522-02 | 1 | S | Short Block |
| 2 | KH-25-139-57-S | 1 | /P | Plug, sq. hd. pipe 3/8" |
| 3 | KH-20-032-01-S | 1 | /P | Seal, oil |
| 4 | KH-20-067-04-S | 1 | S | Rod, connecting |
| 5 | KH-20-874-05-S | 1 | | Piston w/ Ring Set (Includes 6,7) |
| 6 | KH-20-108-02-S | 1 | | Ring Set (89 mm) |
| 7 | KH-20-018-04-S | 1 | | Retainer, piston pin |
| 8 | KH-20-123-02-S | 1 | | Tube, drainback |
| 9 | KH-20-755-04-S | 1 | | Kit, balance weight (Includes 10,11) |
| 10 | KH-20-086-16-S | 1 | | Kit, screw/guide pin |
| 11 | KH-20-423-02-S | 1 | | Shoe, guide |
| 12 | KH-12-154-05 | 1 | | Clip, hitch pin |
| 13 | KH-M-631015 | 1 | /P | Washer, plain |
| 14 | KH-X-25-102-S | 1 | /P | Washer, plain |
| 15 | KH-20-144-02-S | 1 | | Shaft, governor cross |
| 16 | KH-20-393-02-S | 1 | | Pump assembly, oil (Includes 17-19) |
| 17 | KH-20-112-02-S | 1 | | Spacer, oil pump screw |
| 18 | KH-20-086-13-S | 1 | | Screw, oil pump |
| 19 | KH-20-144-06-S | 1 | S | Shaft center, cam - Exhaust |
| 20 | KH-20-468-01-S | 1 | | Washer, thrust |
| 21 | KH-20-090-01-S | 1 | | Lever assembly, cam (Includes 22) |
| 22 | KH-20-086-06-S | 1 | /P | Screw, shoulder |
| 23 | KH-20-010-04-S | 1 | /P | Gear assembly, cam (Includes 24-26) |
| 24 | KH-20-089-06-S | 1 | | Spring, ACR |
| 25 | KH-20-044-16-S | 1 | | Weight, ACR |
| 26 | KH-20-468-03-S | 1 | | Washer, thrust - ACR |
| 28 | KH-20-014-20-S | 1 | | Crankshaft |
| 29 | KH-X-42-15 | 1 | /P | Key 3/16" |
| 30 | KH-20-043-12-S | 1 | | Gear, crankshaft |
| | KH-20-755-05-S | 1 | /P | Gasket Set Not Shown |
| | KH-SV540-0020 | 1 | S | Engine, Complete Not Shown |