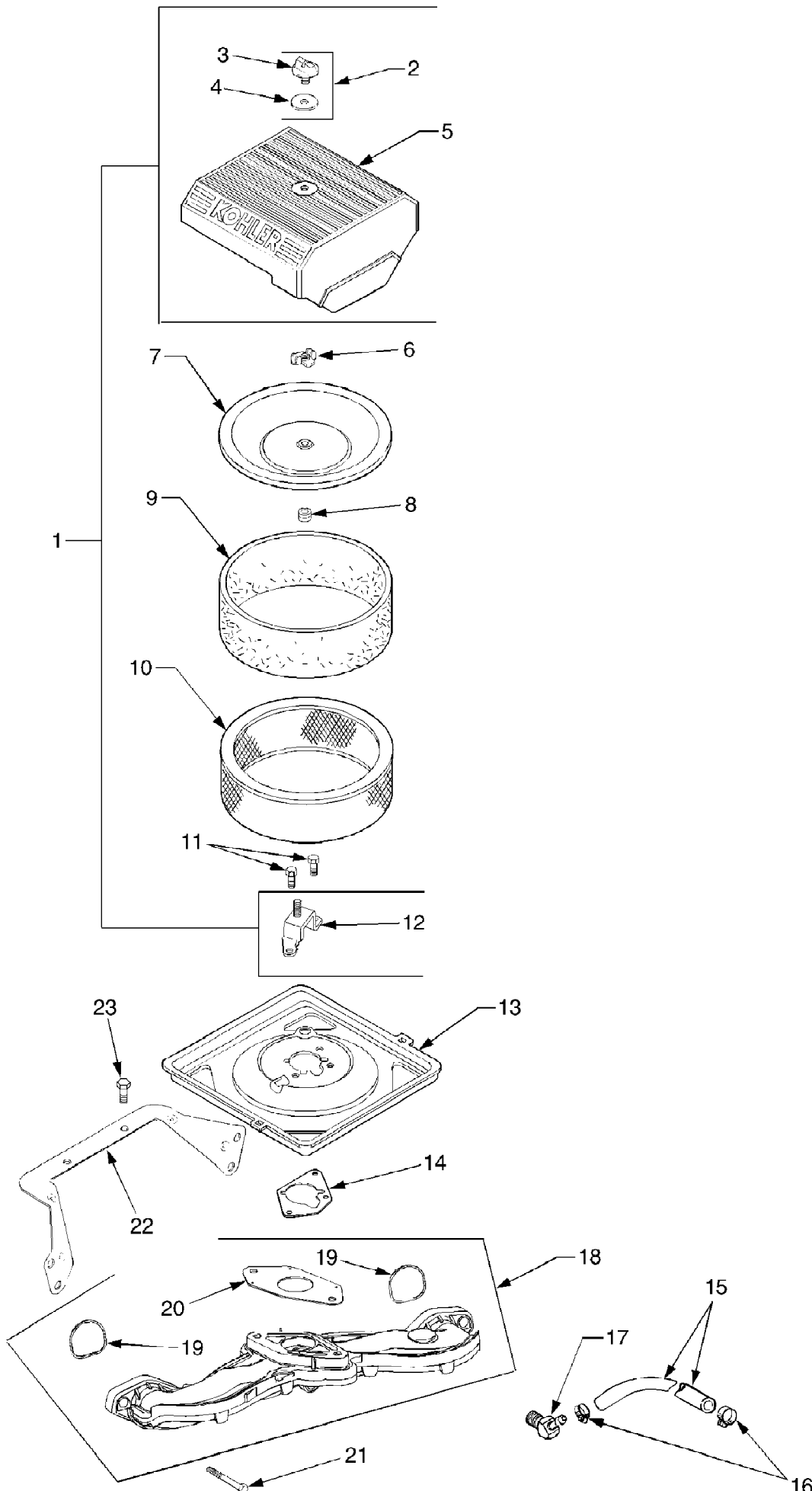


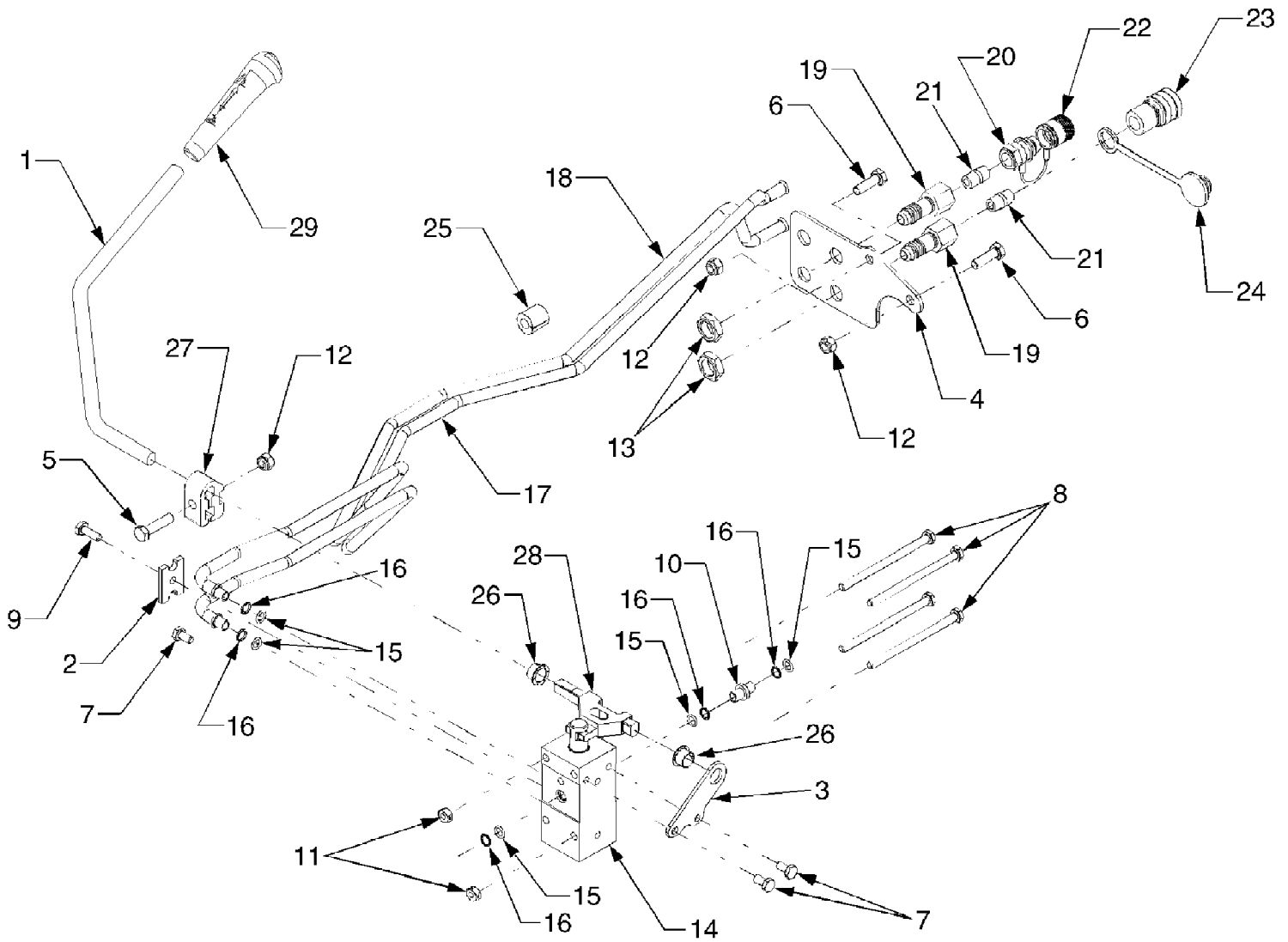
GT3200 Tractor
Air Intake



GT3200 Tractor
Air Intake

Page 2 of 65

Ref #	Part Number	Qty	S/P/F	Description
1	KH-24-743-08	1		Kit, Air Cleaner Cover (Incl 2-5, 12)
2	KH-54-755-01	1	S	Kit, Knob w/Seal (Incl. Ref #3,4)
3	KH-25-341-04-S	1	/P	Knob, Cover
4	KH-24-153-20-S	1		Seal, Air Cleaner Cover Knob
5	KH-24-096-69-S	1	/P	Cover, Air Cleaner
6	KH-12-100-01	1	/P	Wing Nut
7	KH-24-096-01	1	/P	Cover, Inner Air Cleaner
8	KH-24-032-03	1	/P	Seal, Inner Air Cleaner
9	KH-24-083-02	1	S	Precleaner, Element
10	KH-47-083-03	1	S	Element, Air Cleaner
11	KH-24-086-53-S	3		Screw, Hex Flange, M6 x 1.0 x 16
12	KH-24-126-21	1		Bracket, Air Cleaner Base
13	KH-24-094-39-S	1	/P	Base, Air Cleaner
14	KH-24-041-06	1	/P	Gasket, Air Cleaner Base
15	KH-15-353-02	1	S	Line, Fuel 17"
16	KH-25-237-14-S	2	/P	Clamp, Hose
17	KH-25-155-02	1	/P	Connector, Hose 45°.
18	KH-24-164-55-S	1	S	Manifold, Intake (Includes 19,20)
19	KH-24-153-27-S	2	/P	O-Ring, Intake Manifold
20	KH-24-041-53-S	1		Gasket, Carburetor
21	KH-M-0651040-S	4		Screw, Hex Flange, M6 x 1.0 x 40
22	KH-24-126-130-S	1		Bracket, Air Cleaner Base
23	KH-M-0545010	2	/P	Screw, Hex Flng, M5 x 0.8 x 10

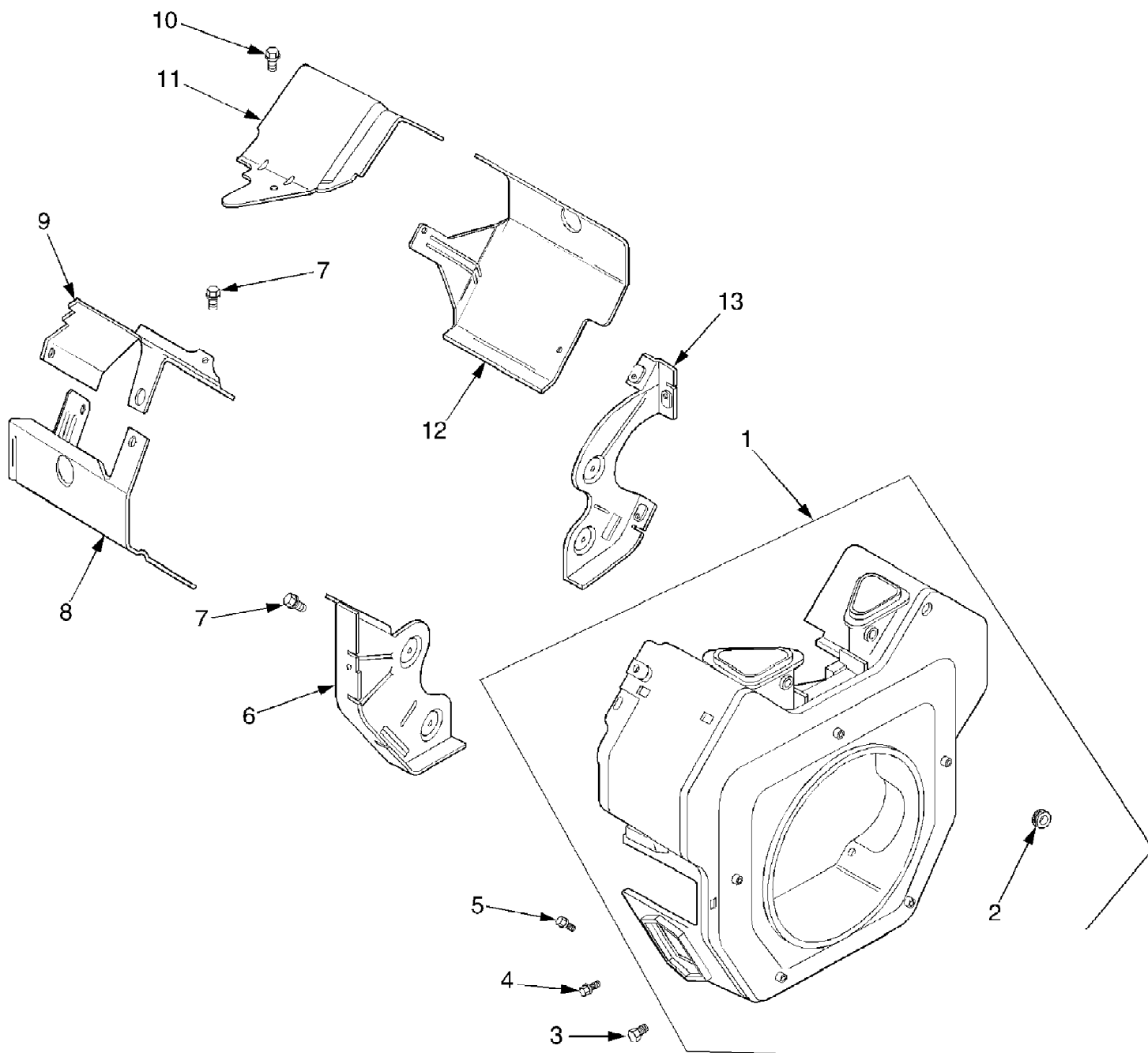


GT3200 Tractor
Auxiliary Hydraulics

Page 4 of 65

Ref #	Part Number	Qty	S/P/F	Description
1	631-3017A	1		Handle Ass'y. (Includes Ref. 29)
2	703-1803	1	S	Clamp, Double Valve
3	703-3154-0637	1	/P	Bracket, Lift Valve
4	703-3442-0637	1		Bulkhead, Fitting
5	710-0528	1	/P	Screw, Hex Cap, 5/16-18 x 1.25 GR5
6	710-3025	2	/P	Screw, Hex Cap, 5/16-18 x .625 GR5
7	710-3013	3	/P	Screw, Hex Cap, 1/4-20 x .5 GR5
8	710-1058	4		Screw, Hex Cap, 1/4-20 x 4.0 GR2
9	710-3015	1	/P	Screw, Hex Cap, 1/4-20 x .75 GR5
10	711-3294	1		Fitting, Union
11	712-0291	2	S	Nut, Hex Lock, 1/4-20 GRA
12	712-0429	3	S	Nut, Hex Nylon Insert Lock, 5/16-18 GR5
13	712-3035	4	/P	Nut, Hex Jam, 9/16-18 GR5
14	717-3452	1		Valve, Hydro
15	721-3021	5	S	O-Ring
16	721-0492	5		O-Ring
17	727-3141	1		Tube, Hydraulic (Up)
18	727-3142	1		Tube, Hydraulic (Down)
19	727-3145	2		Fitting, Bulkhead
20	727-3023	1	/P	Coupling, Male
21	727-3170	2		Fitting, Pipe Nipple
22	727-3024	1	/P	Cap, Protective Coupling
23	727-3014	1	/P	Coupling, Female
24	731-3022	1	/P	Cap, Protective Coupling
25	735-3007	1	S	Pad, Bumper
26	741-0491	2		Bearing, Nylon Flange
27	748-3082	1		Clamp, Handle
28	748-3081A	1	/P	Link, Lift
29	731-3259	1		Grip, Handle

GT3200 Tractor
Blower Housing And Baffles



GT3200 Tractor
Blower Housing And Baffles

Ref #	Part Number	Qty	S/P/F	Description
1	KH-24-027-163-S	1		Housing, Blower (Includes 2)
2	KH-25-313-06-S	1		Grommet
3	KH-M-0551016	1		Screw, Hex Flange M5 x 0.8 x 16
4	KH-M-0545016	3	S	Screw, Hex Flange M5 x 0.8 x 16
5	KH-M-0545020	4	/P	Screw, Hex Flange M5 x 0.8 x 20
6	KH-24-146-18-S	1		Plate, Backing #2 Side
7	KH-M-0645016	6	S	Screw, Hex Flange M6 x 1.0 x 16
8	KH-24-063-20	1	/P	Baffle, Cyl. Barrel #2 Side
9	KH-24-063-70-S	1		Baffle, Valley #2 Side
10	KH-M-0545010	2	/P	Screw, Hex Flange M5 x 0.8 x 10
11	KH-24-063-59-S	1		Baffle, Valley #1 Side
12	KH-24-063-58-S	1	S	Baffle, Cyl. Barrel #1 Side
13	KH-24-146-20	1	S	Plate, Backing #1 Side