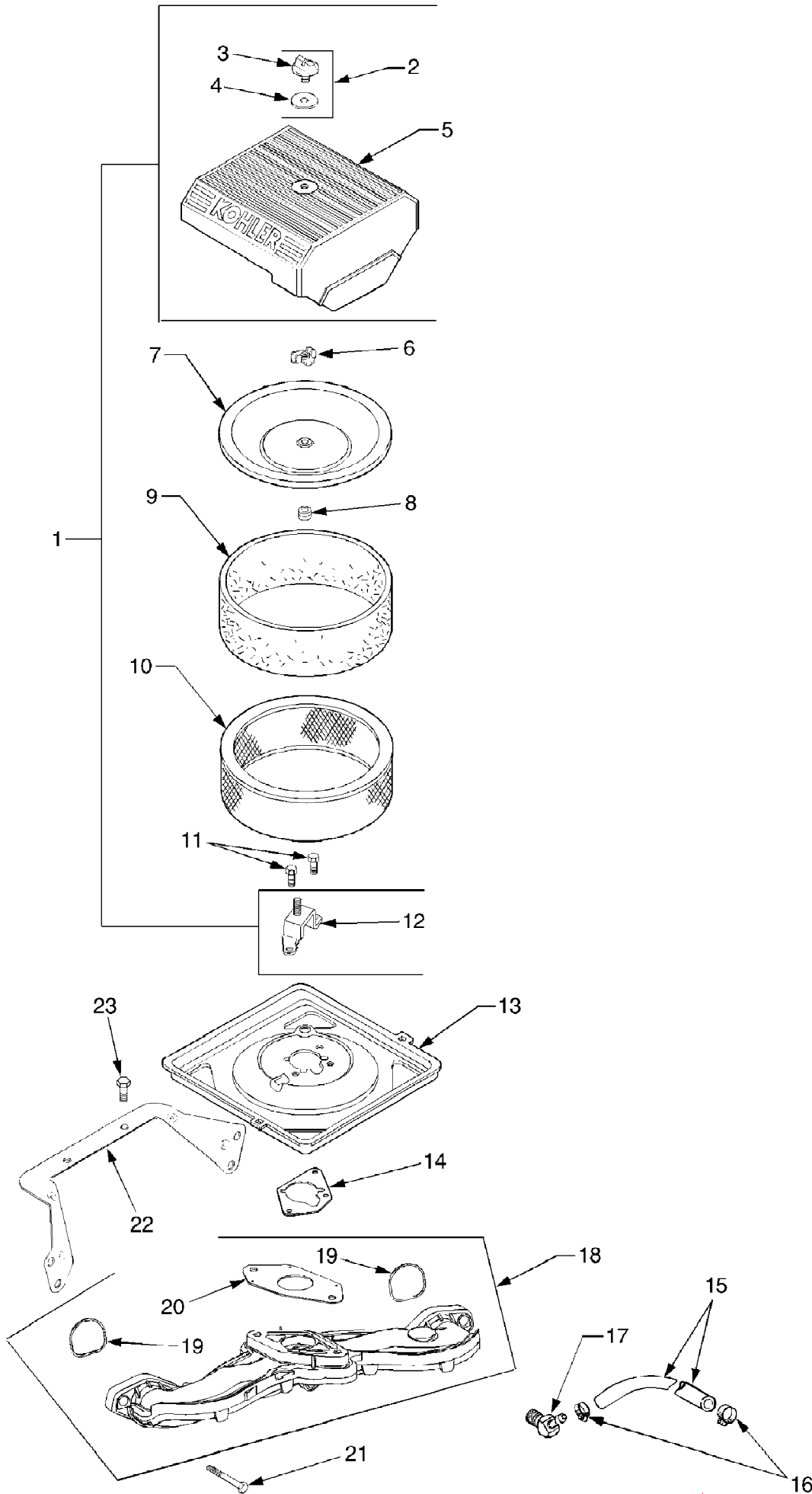


GT3100 Tractor  
Air Intake

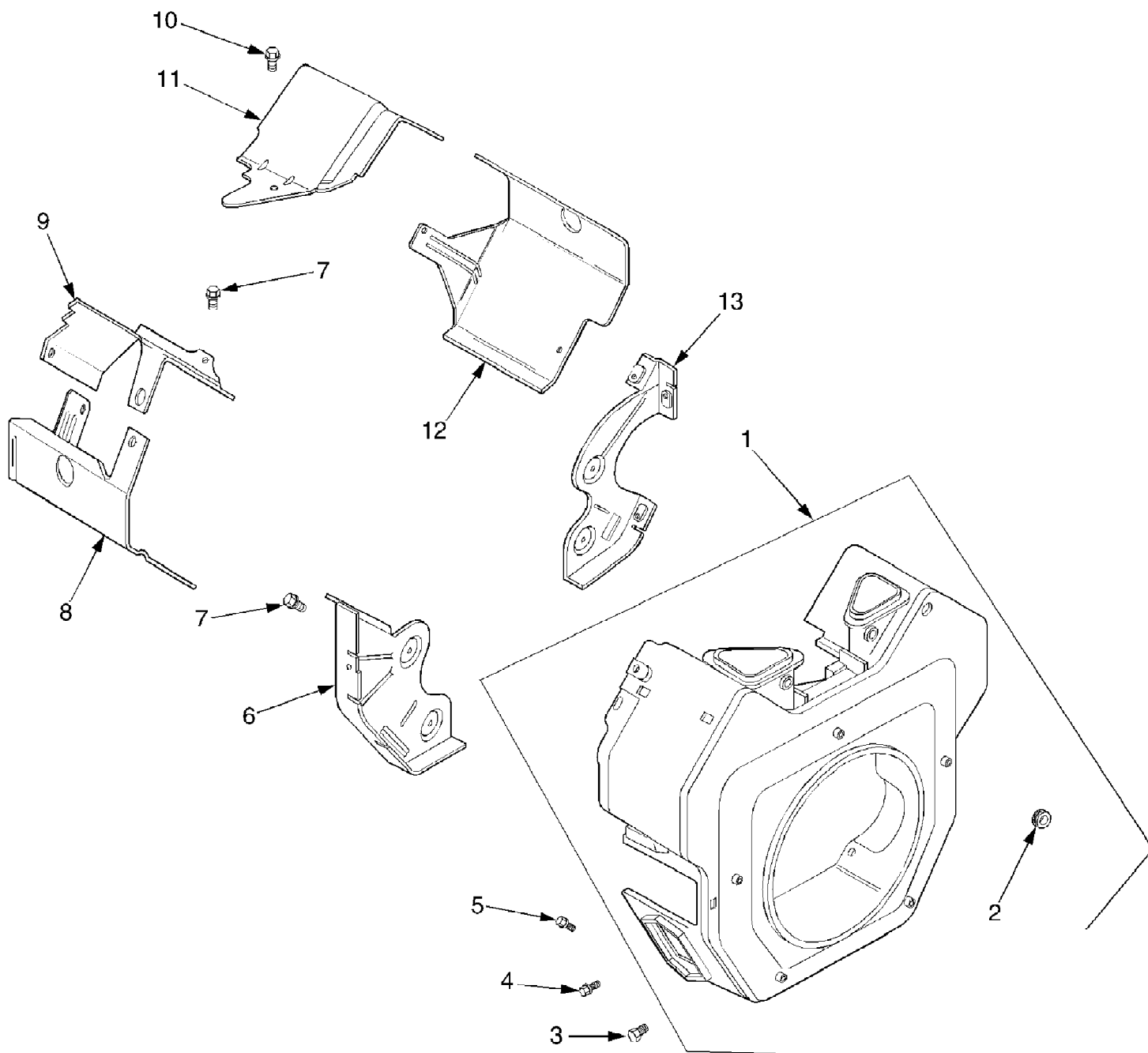


GT3100 Tractor  
Air Intake

Page 2 of 67

Ref #	Part Number	Qty	S/P/F	Description
1	KH-24-743-08	1		Kit, Air Cleaner Cover (Incl 2-5, 12)
2	KH-54-755-01	1	S	Kit, Knob w/Seal (Incl. Ref #3,4)
3	KH-25-341-04-S	1	/P	Knob, Cover
4	KH-24-153-20-S	1		Seal, Air Cleaner Cover Knob
5	KH-24-096-69-S	1	/P	Cover, Air Cleaner
6	KH-12-100-01	1	/P	Wing Nut
7	KH-24-096-01	1	/P	Cover, Inner Air Cleaner
8	KH-24-032-03	1	/P	Seal, Inner Air Cleaner
9	KH-24-083-02	1	S	Precleaner, Element
10	KH-47-083-03	1	S	Element, Air Cleaner
11	KH-24-086-53-S	3		Screw, Hex Flange, M6 x 1.0 x 16
12	KH-24-126-21	1		Bracket, Air Cleaner Base
13	KH-24-094-24-S	1	S	Base, Air Cleaner
14	KH-24-041-06	1	/P	Gasket, Air Cleaner Base
15	KH-15-353-02	1	S	Line, Fuel 17"
16	KH-25-237-14-S	2	/P	Clamp, Hose
17	KH-25-155-02	1	/P	Connector, Hose 45°.
18	KH-24-164-55-S	1	S	Manifold, Intake (Includes 19,20)
19	KH-24-153-27-S	2	/P	O-Ring, Intake Manifold
20	KH-24-041-53-S	1		Gasket, Carburetor
21	KH-M-0651040-S	4		Screw, Hex Flange, M6 x 1.0 x 40
22	KH-24-126-130-S	1		Bracket, Air Cleaner Base
23	KH-M-0545010	2	/P	Screw, Hex Flng, M5 x 0.8 x 10

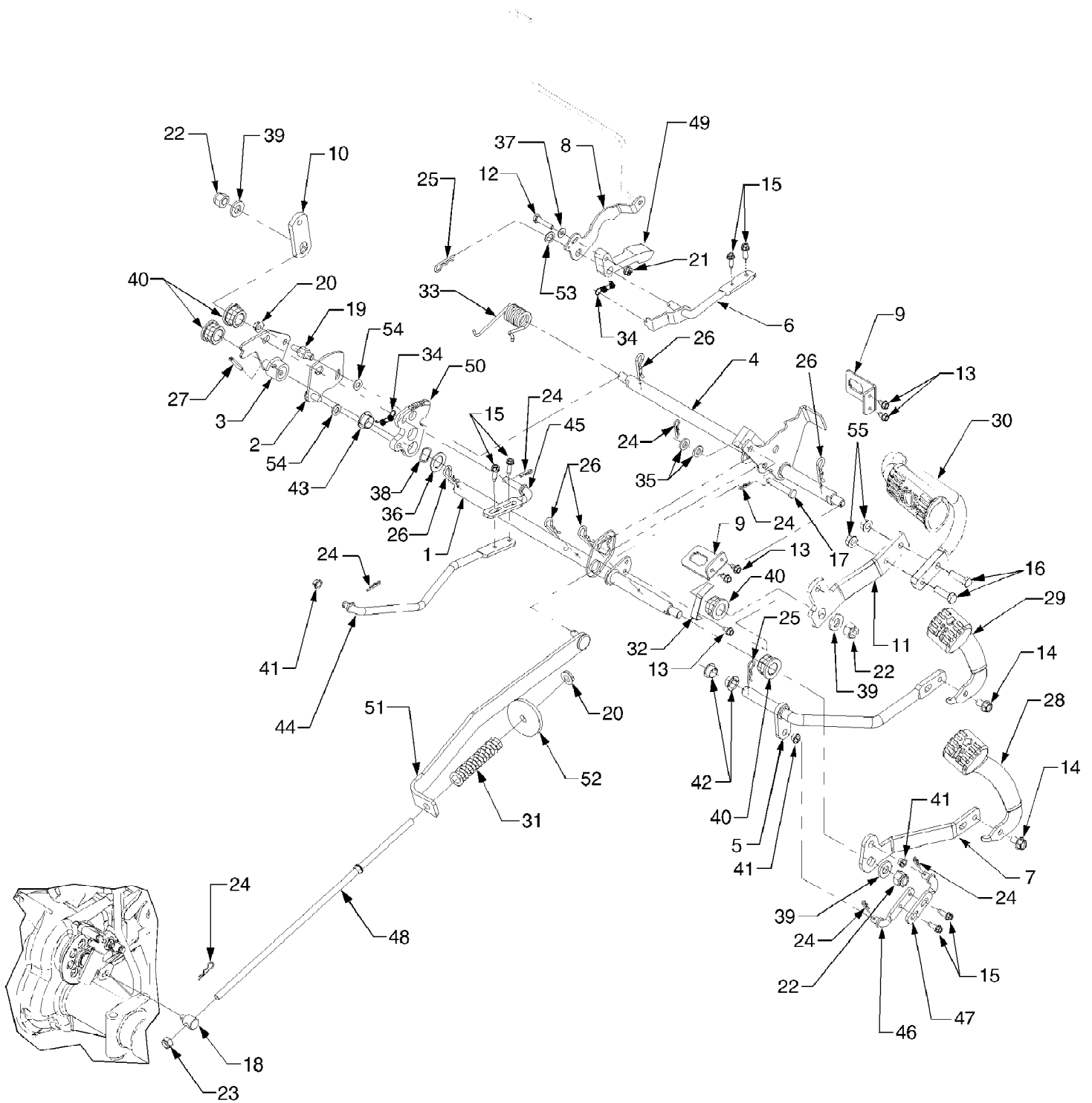
GT3100 Tractor  
Blower Housing And Baffles



GT3100 Tractor  
Blower Housing And Baffles

Page 4 of 67

Ref #	Part Number	Qty	S/P/F	Description
1	KH-24-027-163-S	1		Housing, Blower (Includes 2)
2	KH-25-313-06-S	1		Grommet
3	KH-M-0551016	1		Screw, Hex Flange M5 x 0.8 x 16
4	KH-M-0545016	3	S	Screw, Hex Flange M5 x 0.8 x 16
5	KH-M-0545020	4	/P	Screw, Hex Flange M5 x 0.8 x 20
6	KH-24-146-16	1	S	Plate, Backing #2 Side
7	KH-M-0645016	6	S	Screw, Hex Flange M6 x 1.0 x 16
8	KH-24-063-20	1	/P	Baffle, Cyl. Barrel #2 Side
9	KH-24-063-17	1	/P	Baffle, Valley #2 Side
10	KH-M-0545010	2	/P	Screw, Hex Flange M5 x 0.8 x 10
11	KH-24-063-59-S	1		Baffle, Valley #1 Side
12	KH-24-063-58-S	1	S	Baffle, Cyl. Barrel #1 Side
13	KH-24-146-20	1	S	Plate, Backing #1 Side



GT3100 Tractor  
Brake And Control Pedals

Ref #	Part Number	Qty	S/P/F	Description
1	603-0379	1		Shaft Assembly, Pedal
2	603-0421A	1	/P	Plate, Disengagement
3	603-0437-0637	1	/P	Cam, Clutch
4	603-0445A	1		Shaft Assembly, Brake
5	603-0449A	1	S	Shaft Assembly, Reverse
6	603-0634	1		Rod Assembly, Cruise
7	703-3012-0716	1		Link, Pedal Mounting
8	703-3020	1		Bracket, Rod Adjust
9	703-3152	2		Bracket, Switch
10	703-3155-0716	1		Lever, Brake
11	703-3156A-0716	1	/P	Link, Brake Pedal
12	710-0106	1	/P	Screw, Hex Cap, 1/4-20 x 1.25 GR5
13	710-0599	5	/P	Screw, Hex Wash. Hd. Tapp 1/4-20 x .5
14	710-0623	2	/P	Screw, Hex Wash. Hd. Tapp 3/8-16 x .75
15	710-0642	6	/P	Screw, Hex Wash. Hd. Tapp 1/4-20 x .75
16	710-3005	2	/P	Screw, Hex Wash. Hd. 3/8-16 x 1.25 GR5
17	711-0679A	1	/P	Pin, Clevis, 3/8 x 2.015
18	711-1530	1		Ferrule, Adjust.
19	711-04035	1		Stud, Actuator
20	712-3004A	2	/P	Nut, Hex Flange Lock, 5/16-18
21	712-3027	1	S	Nut, Hex Flange Lock, 1/4-20
22	712-3058	3	S	Nut, Hex Insert Lock, 1/2-20
23	712-0429	1	S	Nut, Hex Insert Lock, 5/16-18
24	714-0104	8	S	Pin, Internal Cotter
25	714-0145	2	S	Pin, Internal Cotter
26	714-0147	5	/P	Pin, Internal Cotter
27	715-0114	1	S	Pin, Spiral Spring, .25 x 1.5
28	731-3247	1		Pedal, Forward
29	731-3248	1		Pedal, Reverse
30	731-3249A	1	/P	Pedal, Brake
31	732-0324	1		Spring, Compression
32	732-0859A	1	/P	Spring, No Cut Reverse
33	732-0871	1		Spring, Torsion
34	732-3118	2		Spring, Extension, .380 OD x 1.44
35	736-0275	2	S	Washer, Flat, .344 x .688 x .065
36	736-0287	1	S	Washer, Flat, .79 x 1.24 x .060
37	736-0463	1	S	Washer, Flat, .25 x .62
38	736-0621	1		Washer, Wave, .785 x 1.0 x .012
39	736-3019	3		Washer, Flat, .531 x 1.06 x .134
40	741-0598	4	S	Bearing, Hex Flange
41	741-3073	3	S	Bearing, Flange
42	741-3074	2		Bearing, Flange
43	741-3084	1		Bearing, Flange
44	747-3319	1		Rod, Rear Control
45	747-3320	1		Rod, Front Control
46	747-3324	1		Rod, Rear Connecting
47	747-3353	1		Rod, Front Connecting
48	747-3422	1		Rod, Brake
49	748-04001	1		Cruise Latch
50	748-3080A	1	/P	Plate, Cruise
51	603-0738	1	S	Link Assembly, Brake
52	736-0418A	1	/P	Washer, Flat, .341 x 2.25 x .10
53	736-0160	1	S	Washer, Flat, .53 x .93 x .050