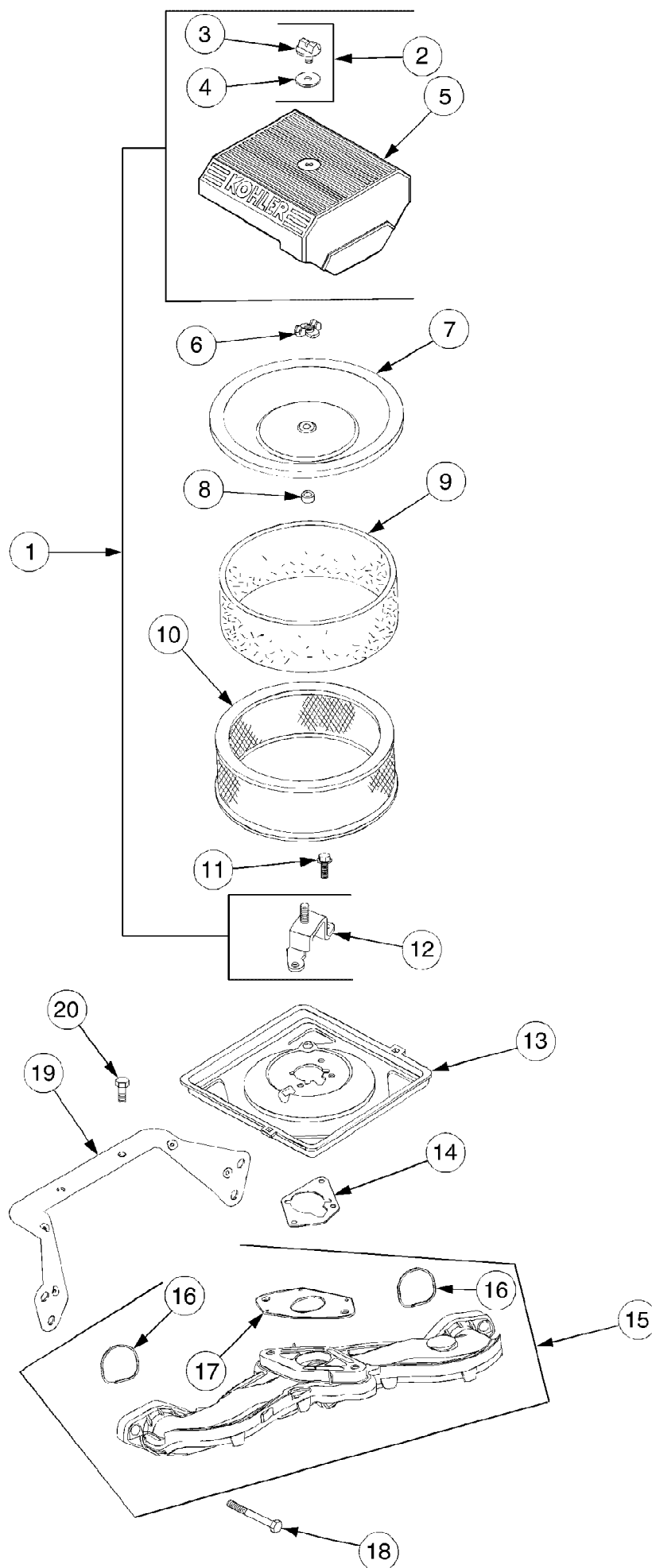
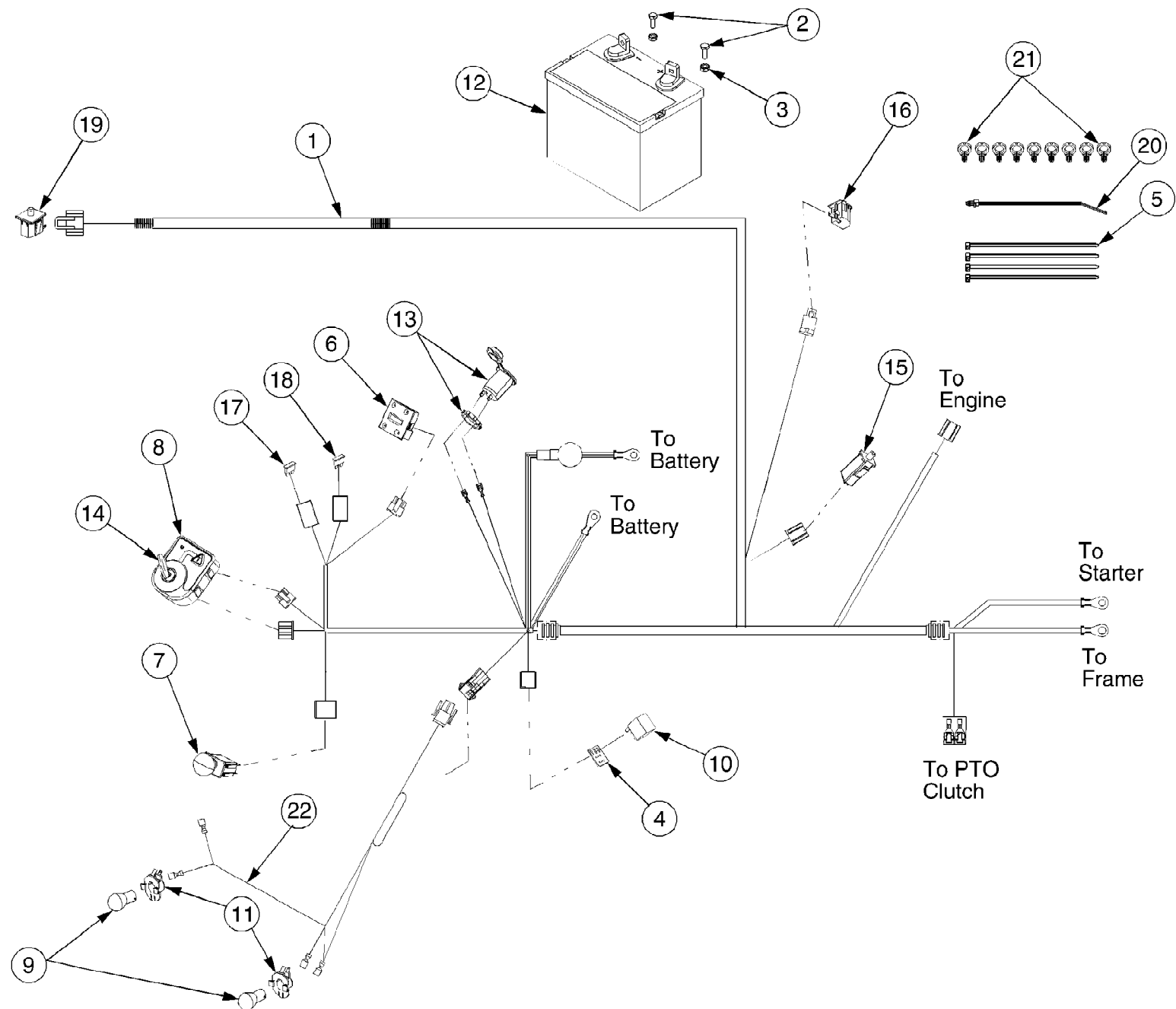


GT2550 Tractor Mfg Date K015 - K018
Air Intake and Filtration

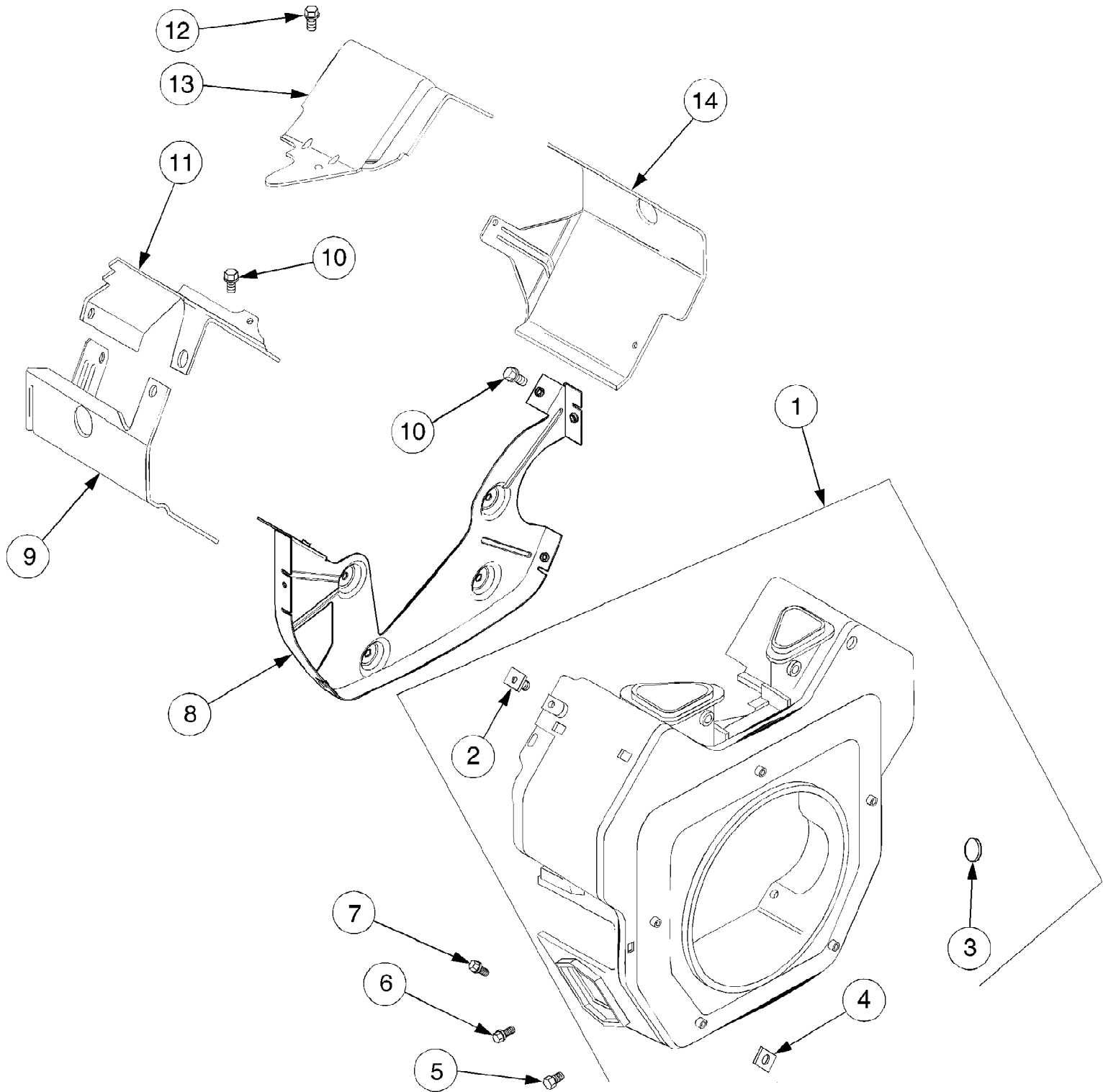


| Ref # | Part Number | Qty | S/P/F | Description |
|-------|-----------------|-----|-------|--|
| 1 | KH-24-743-08 | 1 | | Kit, Air Cleaner Cover (Incl. 2-5, 12) |
| 2 | KH-54-755-01-S | 1 | /P | Kit, Knob w/Seal (Incl. Ref #2,3) |
| 3 | KH-25-341-04-S | 1 | /P | Knob, Cover |
| 4 | KH-24-153-20-S | 1 | | Seal, Air Cleaner Cover Knob |
| 5 | KH-24-096-69-S | 1 | /P | Cover, Air Cleaner |
| 6 | KH-12-100-01 | 1 | /P | Wing Nut |
| 7 | KH-24-096-01 | 1 | /P | Cover, Inner Air Cleaner |
| 8 | KH-24-032-03 | 1 | /P | Seal, Inner Air Cleaner |
| 9 | KH-24-083-02 | 1 | S | Precleaner, Element |
| 10 | KH-47-883-03-S1 | 1 | /P | Element, Air Cleaner (Includes Ref. 9) |
| 11 | KH-24-086-53-S | 2 | | Screw, Hex Flng, M6 x 1.0 x 16 |
| 12 | KH-24-126-21 | 1 | | Bracket, Air Cleaner Base |
| 13 | KH-24-094-39-S | 1 | /P | Base, Air Cleaner |
| 14 | KH-24-041-06 | 1 | /P | Gasket, Air Cleaner Base |
| 15 | KH-24-164-54-S | 1 | S | Manifold, Intake (Includes 16,17) |
| 16 | KH-24-153-27-S | 2 | /P | O-Ring, Intake Manifold |
| 17 | KH-24-041-53-S | 1 | | Gasket, Carburetor |
| 18 | KH-M-651040-S | 4 | | Screw, Hex Flange, M6 x 1.0 x 40 |
| 19 | KH-24-126-130-S | 1 | | Bracket, Air Cleaner Base |
| 20 | KH-M-0545010 | 2 | /P | Screw, Hex Flange, M5 x .8 x10 |



| Ref # | Part Number | Qty | S/P/F | Description |
|-------|-------------|-----|-------|---------------------------------------|
| 1 | 629-04158 | 1 | S | Wire Harness, Main |
| 2 | 710-3015 | 2 | /P | Screw, Hex, 1/4-20 x .75 GR5 |
| 3 | 712-0271 | 2 | /P | Sems Nut |
| 4 | 721-0342 | 1 | S | Gasket, Silicone |
| 5 | 725-0157 | 4 | /P | Tie, Self-Clinch Cable |
| 6 | 725-04036A | 1 | S | Meter, Indicator / Hour K017 & Before |
| 6 | 725-04022B | 1 | S | Meter, Indicator / Hour K017 & After |
| 7 | 725-04175 | 1 | S | Switch, PTO |
| 8 | 725-04227A | 1 | S | Switch, Key/Module |
| 9 | 725-0963 | 2 | S | Lamp, Head Light |
| 10 | 725-1648 | 1 | S | Relay |
| 11 | 725-1649 | 2 | S | Socket, Light, 1/4 Turn |
| 12 | 925-1707D | 1 | /P | Battery |
| 13 | 725-2003 | 1 | | Receptacle, Power 12V |
| 14 | 725-2054 | 2 | S | Key, Ignition |
| 15 | 725-3164A | 1 | S | Switch, Interlock (Brake) |
| 16 | 725-3167 | 1 | S | Switch, Snap Mount (Reverse) |
| 17 | 725-3243 | 2 | | Fuse, 25 Amp |
| 18 | 725-04008 | 1 | | Fuse, 5 Amp |
| 19 | 725-04040 | 1 | S | Switch, Seat |
| 20 | 726-0154 | 9 | S | Tie, Pushmount |
| 21 | 726-3055 | 9 | | Clip, Cable |
| 22 | 629-04142A | 1 | /P | Harness, Head Light |

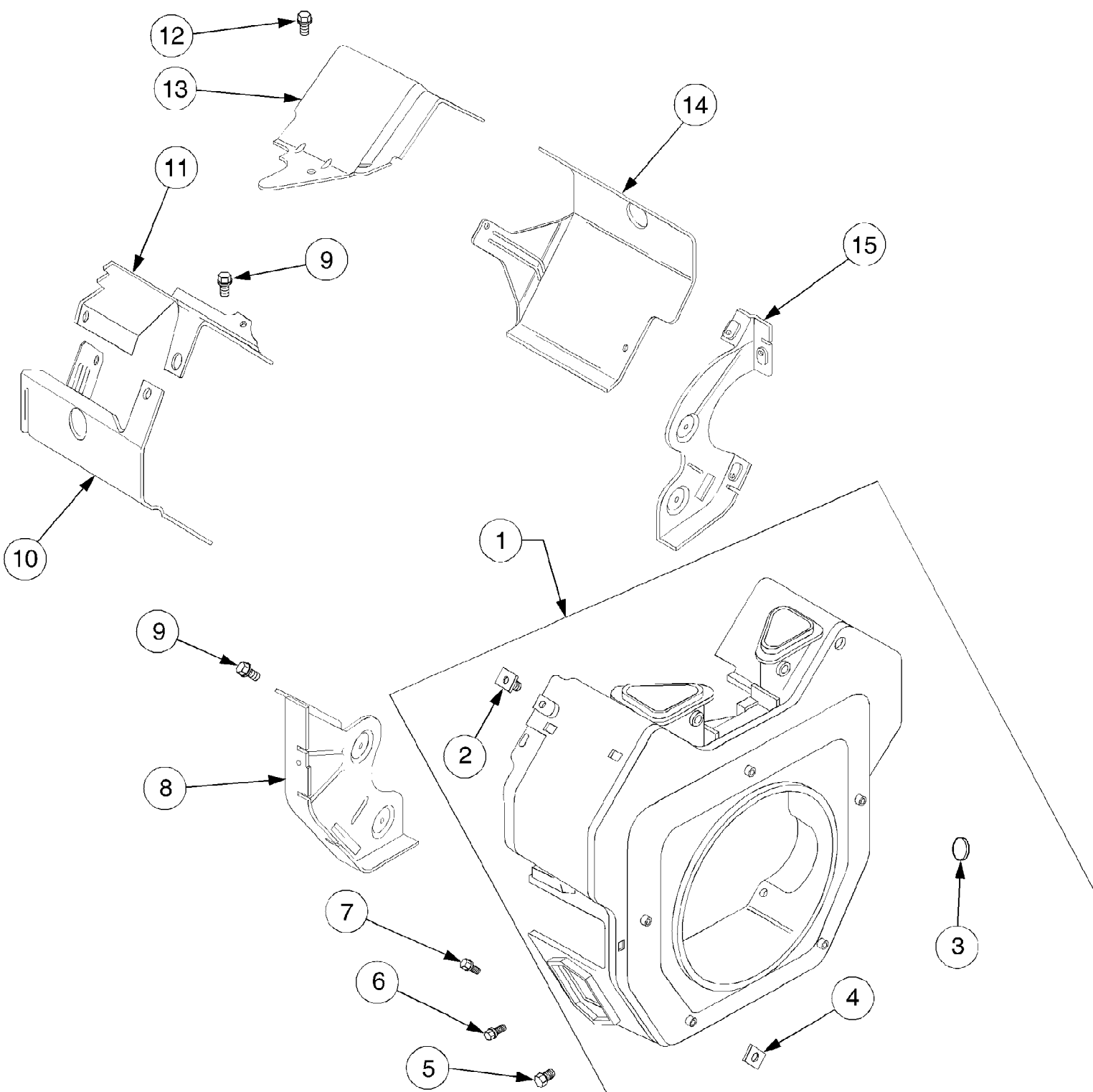
GT2550 Tractor Mfg Date K015 - K018
Blower Housing and Baffles Mfg Date K016 & After



GT2550 Tractor Mfg Date K015 - K018
 Blower Housing and Baffles Mfg Date K016 & After

| Ref # | Part Number | Qty | S/P/F | Description |
|-------|-----------------|-----|-------|------------------------------------|
| 1 | KH-24-027-175-S | 1 | /P | Housing, Blower (Incl. Ref #2-4) |
| 2 | KH-24-100-02 | 2 | | Nut, Plastic |
| 3 | KH-25-139-16 | 1 | | Plug, Button, 9/16 |
| 4 | KH-24-100-01 | 3 | | Nut, Plastic |
| 5 | KH-M-561016-S | 1 | | Screw, Hex Flange, M5 x 0.8 x 16 |
| 6 | KH-M-545016-S | 3 | /P | Screw, Hex Flange, M5 x 0.8 x 16 |
| 7 | KH-M-545020-S | 4 | | Screw, Hex Flange, M5 x 0.8 x 20 |
| 8 | KH-24-146-50-S | 1 | | Plate, Backing |
| 9 | KH-24-063-39-S | 1 | S | Baffle, Cylinder Barrel - #2 Side |
| 10 | KH-M-645016-S | 6 | /P | Screw, Hex Flange, M6 x 1.0 x 16 |
| 11 | KH-24-063-70-S | 1 | | Baffle, Valley - #2 Side |
| 12 | KH-M-0545010 | 2 | /P | Screw, Hex Flange, M5 x 0.8 x 10 |
| 13 | KH-24-063-59-S | 1 | | Baffle, Valley - #1 Side |
| 14 | KH-24-063-58-S | 1 | S | Baffle, Cylinder Barrel - #1 Side |
| | KH-25-154-11-S | 1 | | Clip, Speed Nut Not Illustrated |
| | KH-41-037-10-S | 1 | | Nameplate, Service Not Illustrated |

GT2550 Tractor Mfg Date K015 - K018
Blower Housing and Baffles Mfg Date K016 & Before



GT2550 Tractor Mfg Date K015 - K018
 Blower Housing and Baffles Mfg Date K016 & Before

| Ref # | Part Number | Qty | S/P/F | Description |
|-------|-----------------|-----|-------|-----------------------------------|
| 1 | KH-24-027-175-S | 1 | /P | Housing, Blower (Incl. Ref #2-4) |
| 2 | KH-24-100-02 | 2 | | Nut, Plastic |
| 3 | KH-25-139-16 | 1 | | Plug, Button, 9/16 |
| 4 | KH-24-100-01 | 3 | | Nut, Plastic |
| 5 | KH-M-0551016 | 1 | | Screw, Hex Flange, M5 x 0.8 x 16 |
| 6 | KH-M-545016-S | 3 | /P | Screw, Hex Flange, M5 x 0.8 x 16 |
| 7 | KH-M-0545020 | 4 | /P | Screw, Hex Flange, M5 x 0.8 x 20 |
| 8 | KH-24-146-16-S | 1 | /P | Plate, Backing - #2 Side |
| 9 | KH-M-0645016 | 1 | S | Screw, Hex Flange, M6 x 1.0 x 16 |
| 10 | KH-24-063-20 | 1 | /P | Baffle, Cylinder Barrel - #2 Side |
| 11 | KH-24-063-70-S | 1 | | Baffle, Valley - #2 Side |
| 12 | KH-M-550010-S | 2 | | Screw, Hex Flange, M5 x 0.8 x 10 |
| 13 | KH-24-063-59-S | 1 | | Baffle, Valley - #1 Side |
| 14 | KH-24-063-58-S | 1 | S | Baffle, Cylinder Barrel - #1 Side |
| 15 | KH-24-146-20-S | 1 | /P | Plate, Backing - #1 Side |

GT2550 Tractor Mfg Date K015 - K018

Brake and Control Pedals Mfg Date K016 & After

