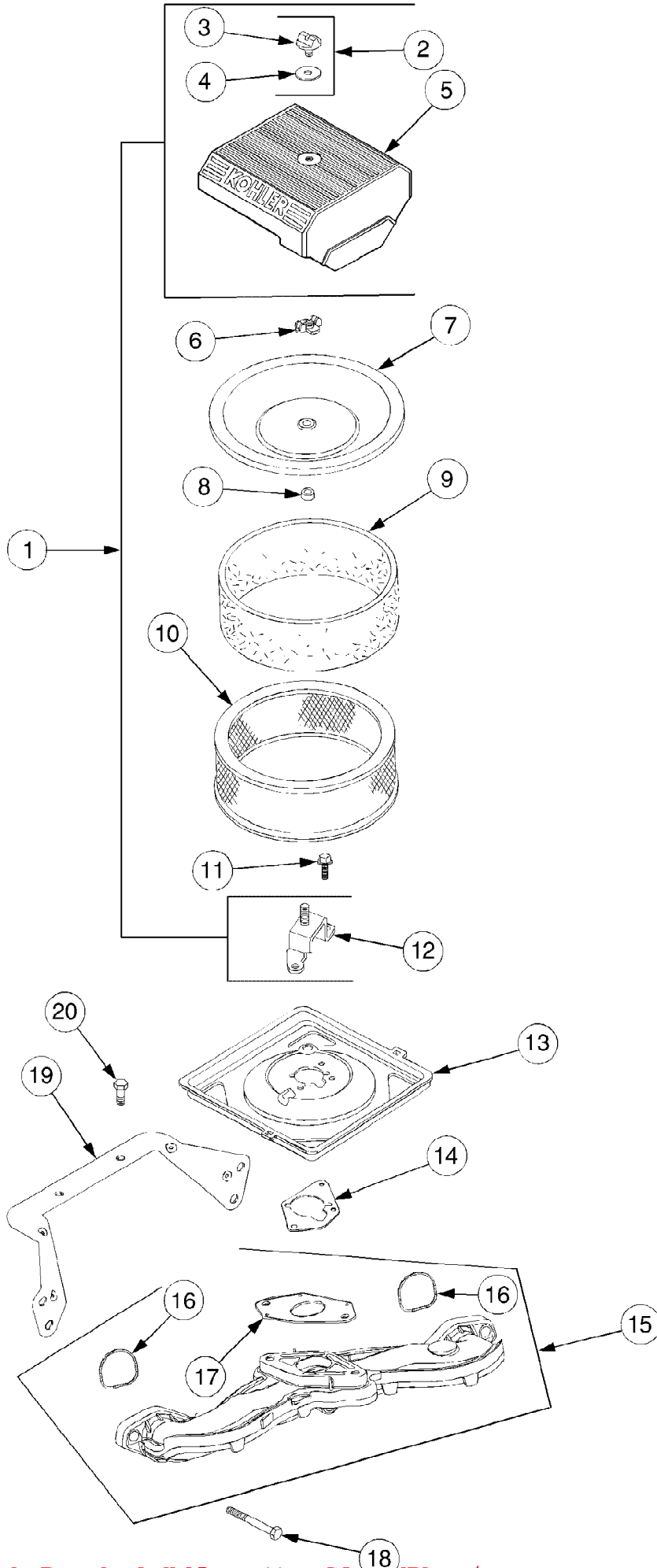
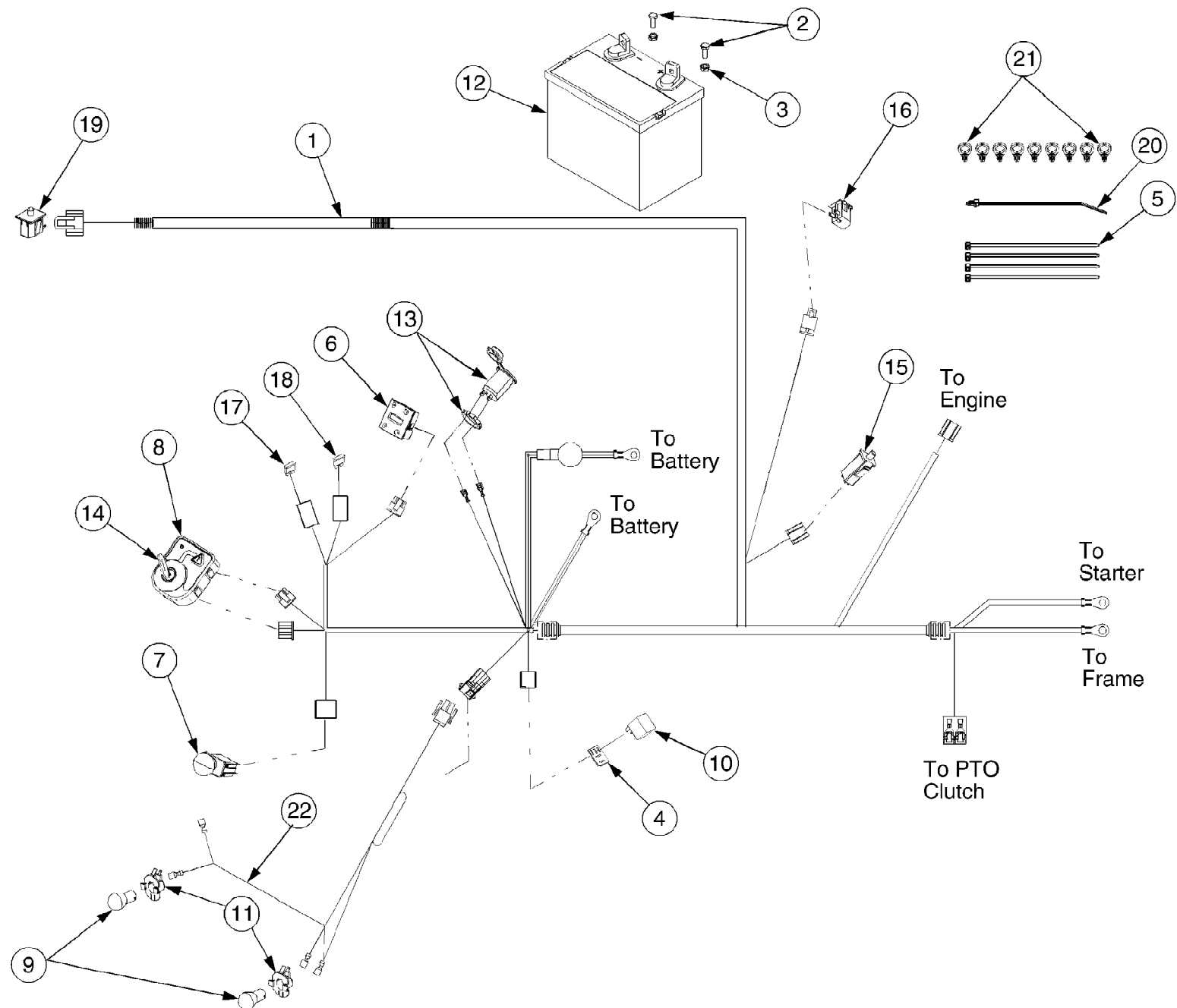


GT2544 Tractor Mfg Date K015 - K018  
Air Intake and Filtration



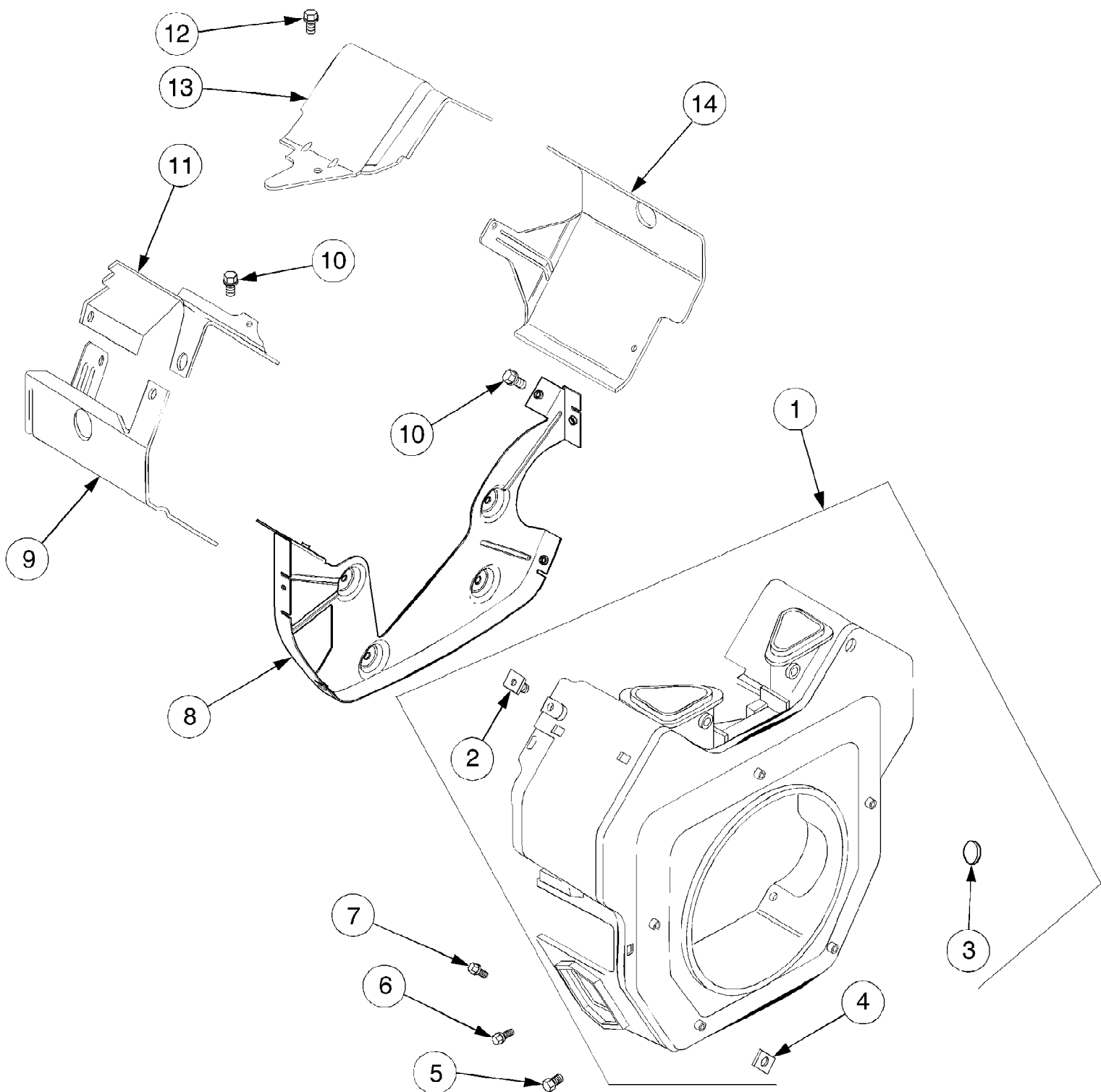
Ref #	Part Number	Qty	S/P/F	Description
1	KH-24-743-08	1		Kit, Air Cleaner Cover (Incl. 2-5, 12)
2	KH-54-755-01-S	1	/P	Kit, Knob w/Seal (Incl. Ref #2,3)
3	KH-25-341-04-S	1	/P	Knob, Cover
4	KH-24-153-20-S	1		Seal, Air Cleaner Cover Knob
5	KH-24-096-69-S	1	/P	Cover, Air Cleaner
6	KH-12-100-01	1	/P	Wing Nut
7	KH-24-096-01	1	/P	Cover, Inner Air Cleaner
8	KH-24-032-03	1	/P	Seal, Inner Air Cleaner
9	KH-24-083-02	1	S	Precleaner, Element
10	KH-47-883-03-S1	1	/P	Element, Air Cleaner (Includes Ref. 9)
11	KH-24-086-53-S	2		Screw, Hex Flng, M6 x 1.0 x 16
12	KH-24-126-21	1		Bracket, Air Cleaner Base
13	KH-24-094-39-S	1	/P	Base, Air Cleaner
14	KH-24-041-06	1	/P	Gasket, Air Cleaner Base
15	KH-24-164-54-S	1	S	Manifold, Intake (Includes 16,17)
16	KH-24-153-27-S	2	/P	O-Ring, Intake Manifold
17	KH-24-041-53-S	1		Gasket, Carburetor
18	KH-M-651040-S	4		Screw, Hex Flange, M6 x 1.0 x 40
19	KH-24-126-130-S	1		Bracket, Air Cleaner Base
20	KH-M-0545010	2	/P	Screw, Hex Flange, M5 x .8 x10



GT2544 Tractor Mfg Date K015 - K018  
 Battery, Electrical Components and Switches

Ref #	Part Number	Qty	S/P/F	Description
1	629-04158	1	S	Wire Harness, Main
2	710-3015	2	/P	Screw, Hex, 1/4-20 x .75 GR5
3	712-0271	2	/P	Sems Nut
4	721-0342	1	S	Gasket, Silicone
5	725-0157	4	/P	Tie, Self-Clinch Cable
6	725-04036A	1	S	Meter, Indicator / Hour K017 & Before
6	725-04022B	1	S	Meter, Indicator / Hour K017 & After
7	725-04175	1	S	Switch, PTO
8	725-04227A	1	S	Switch, Key/Module
9	725-0963	2	S	Lamp, Head Light
10	725-1648	1	S	Relay
11	725-1649	2	S	Socket, Light, 1/4 Turn
12	925-1707D	1	/P	Battery
13	725-2003	1		Receptacle, Power 12V
14	725-2054	2	S	Key, Ignition
15	725-3164A	1	S	Switch, Interlock (Brake)
16	725-3167	1	S	Switch, Snap Mount (Reverse)
17	725-3243	2		Fuse, 25 Amp
18	725-04008	1		Fuse, 5 Amp
19	725-04040	1	S	Switch, Seat
20	726-0154	9	S	Tie, Pushmount
21	726-3055	9		Clip, Cable
22	629-04142A	1	/P	Harness, Head Light

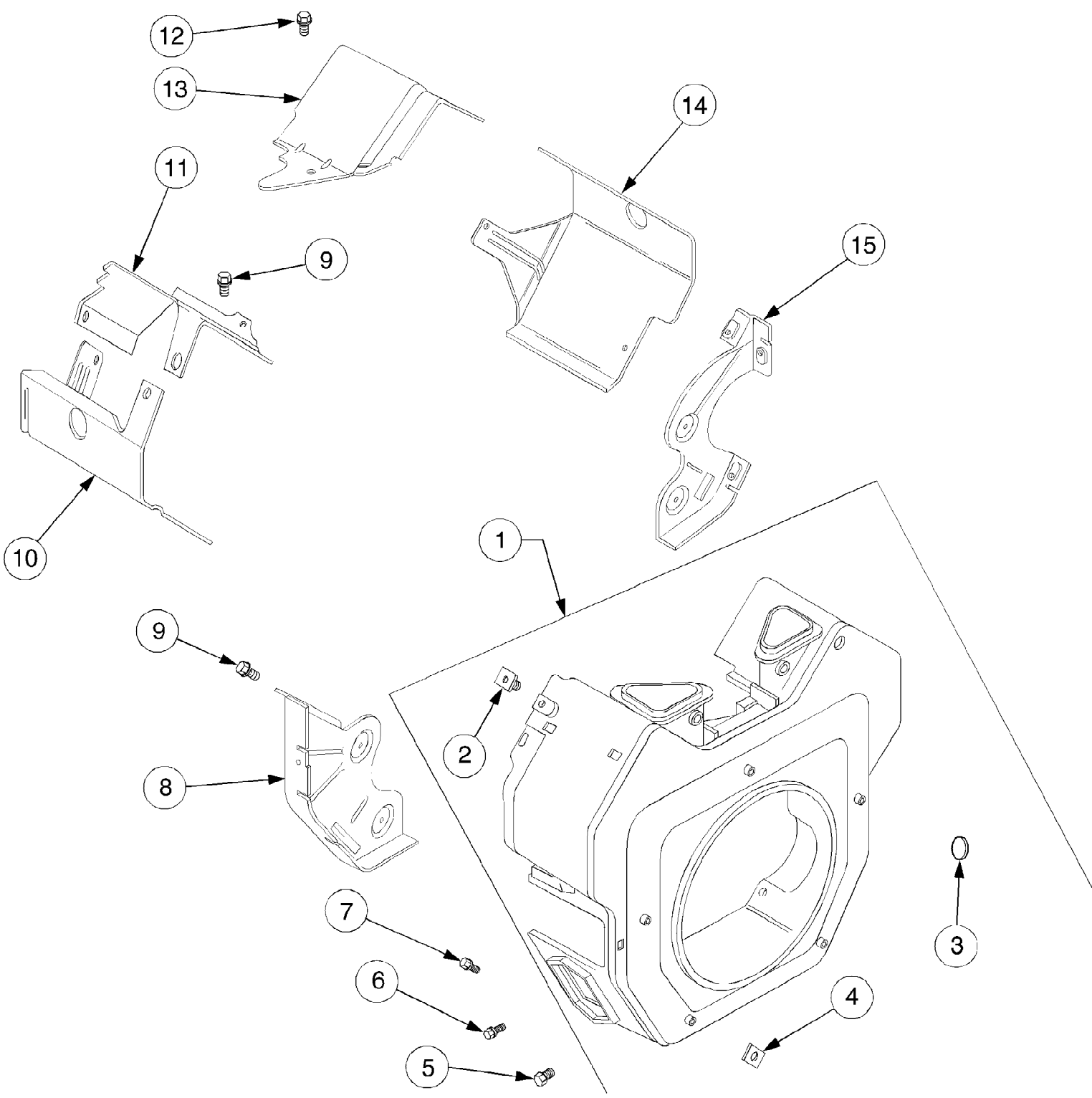
GT2544 Tractor Mfg Date K015 - K018  
Blower Housing and Baffles Mfg Date K016 & After



GT2544 Tractor Mfg Date K015 - K018  
Blower Housing and Baffles Mfg Date K016 & After

Ref #	Part Number	Qty	S/P/F	Description
1	KH-24-027-175-S	1	/P	Housing, Blower (Incl. Ref #2-4)
2	KH-24-100-02	2		Nut, Plastic
3	KH-25-139-16	1		Plug, Button, 9/16
4	KH-24-100-01	3		Nut, Plastic
5	KH-M-561016-S	1		Screw, Hex Flange, M5 x 0.8 x 16
6	KH-M-545016-S	3	/P	Screw, Hex Flange, M5 x 0.8 x 16
7	KH-M-545020-S	4		Screw, Hex Flange, M5 x 0.8 x 20
8	KH-24-146-50-S	1		Plate, Backing
9	KH-24-063-39-S	1	S	Baffle, Cylinder Barrel - #2 Side
10	KH-M-645016-S	6	/P	Screw, Hex Flange, M6 x 1.0 x 16
11	KH-24-063-70-S	1		Baffle, Valley - #2 Side
12	KH-M-0545010	2	/P	Screw, Hex Flange, M5 x 0.8 x 10
13	KH-24-063-59-S	1		Baffle, Valley - #1 Side
14	KH-24-063-58-S	1	S	Baffle, Cylinder Barrel - #1 Side
	KH-24-154-11-S	1		Clip, Speed Nut Not Illustrated
	KH-41-037-10-S	1		Nameplate, Service Not Illustrated

GT2544 Tractor Mfg Date K015 - K018  
Blower Housing and Baffles Mfg Date K016 & Before



GT2544 Tractor Mfg Date K015 - K018  
 Blower Housing and Baffles Mfg Date K016 & Before

Ref #	Part Number	Qty	S/P/F	Description
1	KH-24-027-175-S	1	/P	Housing, Blower (Incl. Ref #2-4)
2	KH-24-100-02	2		Nut, Plastic
3	KH-25-139-16	1		Plug, Button, 9/16
4	KH-24-100-01	3		Nut, Plastic
5	KH-M-0551016	1		Screw, Hex Flange, M5 x 0.8 x 16
6	KH-M-545016-S	3	/P	Screw, Hex Flange, M5 x 0.8 x 16
7	KH-M-0545020	4	/P	Screw, Hex Flange, M5 x 0.8 x 20
8	KH-24-146-16-S	1	/P	Plate, Backing - #2 Side
9	KH-M-0645016	1	S	Screw, Hex Flange, M6 x 1.0 x 16
10	KH-24-063-20	1	/P	Baffle, Cylinder Barrel - #2 Side
11	KH-24-063-70-S	1		Baffle, Valley - #2 Side
12	KH-M-550010-S	2		Screw, Hex Flange, M5 x 0.8 x 10
13	KH-24-063-59-S	1		Baffle, Valley - #1 Side
14	KH-24-063-58-S	1	S	Baffle, Cylinder Barrel - #1 Side
15	KH-24-146-20-S	1	/P	Plate, Backing - #1 Side



