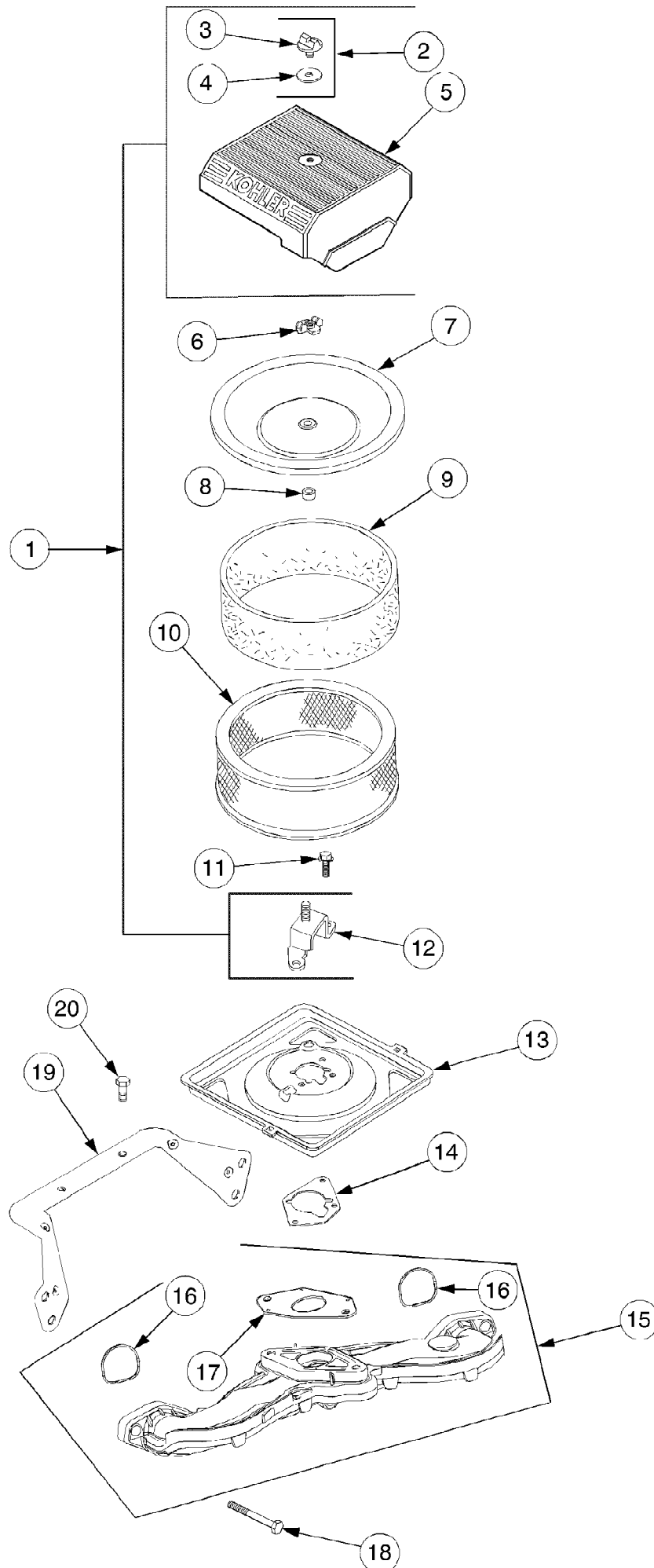
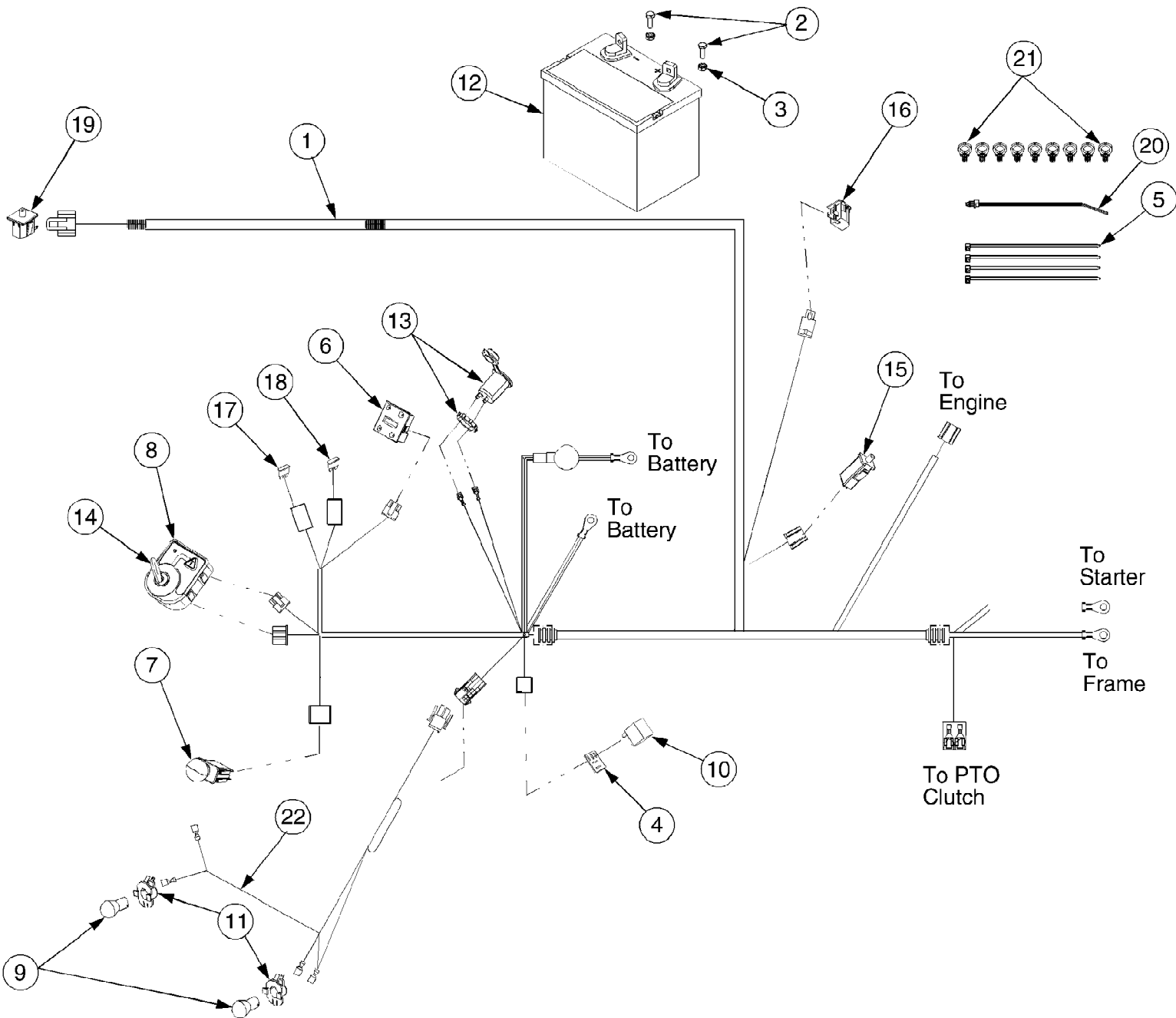


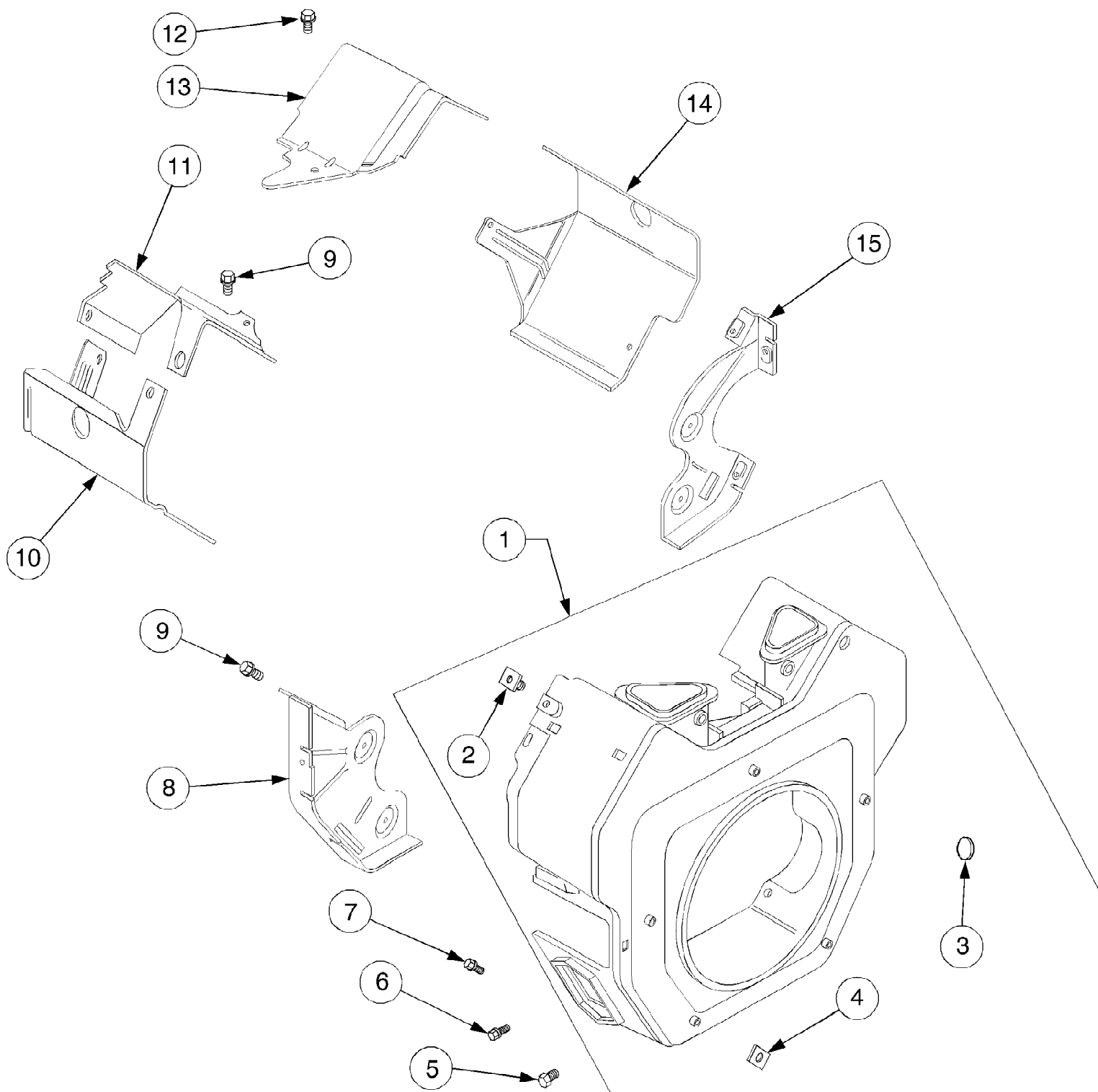
GT2542 Tractor 2008 & Before
Air Intake and Filtration



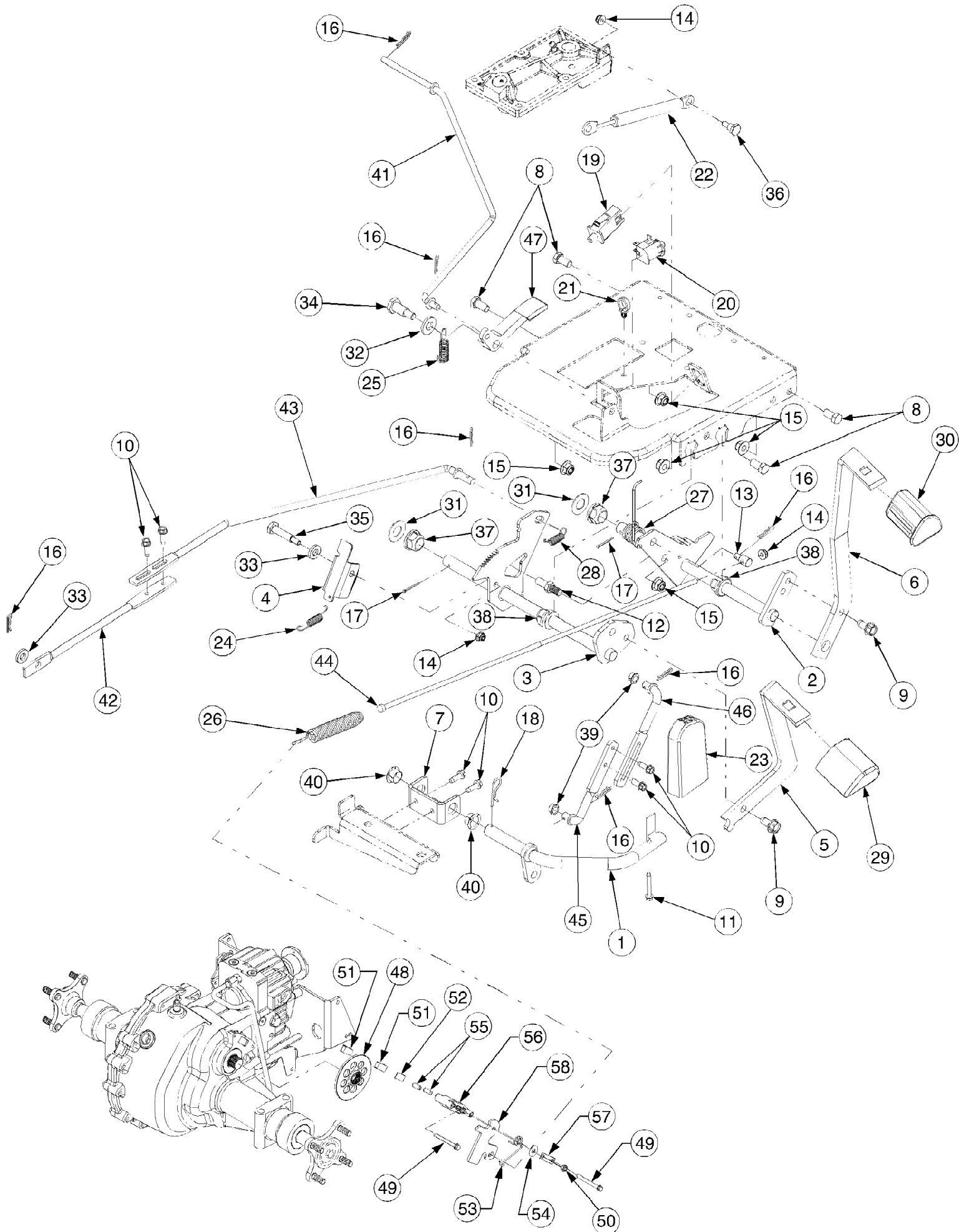
Ref #	Part Number	Qty	S/P/F	Description
1	KH-24-743-08	1		Kit, Air Cleaner Cover (Incl. 2-5, 12)
2	KH-54-755-01	1	S	Kit, Knob w/Seal (Incl. Ref #2, 3)
3	KH-25-341-04-S	1	/P	Knob, Cover
4	KH-24-153-20-S	1		Seal, Air Cleaner Cover Knob
5	KH-24-096-69-S	1	/P	Cover, Air Cleaner
6	KH-12-100-01	1	/P	Wing Nut
7	KH-24-096-01	1	/P	Cover, Inner Air Cleaner
8	KH-24-032-03	1	/P	Seal, Inner Air Cleaner
9	KH-47-883-03-S1	1	/P	Precleaner, Element Includes Ref 10
10	KH-47-883-03-S1	1	/P	Element, Air Cleaner Includes Ref 9
11	KH-24-086-53-S	3		Screw, Hex Flange, M6 x 1.0 x16
12	KH-24-126-21	1		Bracket, Air Cleaner Base
13	KH-24-094-03	1	S	Base, Air Cleaner CH20S-64742
13	KH-24-094-39-S	1	/P	Base, Air Cleaner CH20S-64748
14	KH-24-041-06	1	/P	Gasket, Air Cleaner Base
15	KH-24-164-54-S	1	S	Manifold, Intake (Includes 16, 17)
16	KH-24-153-27-S	2	/P	O-Ring, Intake Manifold
17	KH-24-041-53-S	1		Gasket, Carburetor
18	KH-M-651040-S	4		Screw, Hex Flange, M6 x 1.0 x 40
19	KH-24-126-130-S	1		Bracket, Air Cleaner Base
20	KH-M-0545010	2	/P	Screw, Hex Flng, M5 x 0.8 x 10



Ref #	Part Number	Qty	S/P/F	Description
1	629-04158	1	S	Wire Harness, Main
2	710-3015	2	/P	Screw, Hex, 1/4-20 x .75 GR5
3	712-0271	2	/P	Sems Nut
4	721-0342	1	S	Gasket, Silicone
5	725-0157	4	/P	Tie, Self-Clinch Cable
6	725-04036A	1	S	Meter, Indicator / Hour K017 & Before
6	725-04022B	1	S	Meter, Indicator / Hour K017 & After
7	725-04175	1	S	Switch, PTO
8	725-04227A	1	S	Switch, Key/Module
9	725-0963	2	S	Lamp, Head Light
10	725-1648	1	S	Relay
11	725-1649	2	S	Socket, Light, 1/4 Turn
12	925-1707D	1	/P	Battery
13	725-2003	1		Receptacle, Power 12V
14	725-2054	2	S	Key, Ignition
15	725-3164A	1	S	Switch, Interlock (Brake)
16	725-3167	1	S	Switch, Snap Mount (Reverse)
17	725-3243	2		Fuse, 25 Amp
18	725-04008	1		Fuse, 5 Amp
19	725-04040	1	S	Switch, Seat
20	726-0154	9	S	Tie, Pushmount
21	726-3055	9		Clip, Cable
22	629-04142A	1	/P	Harness, Head Light



Ref #	Part Number	Qty	S/P/F	Description
1	KH-24-027-175-S	1	/P	Housing, Blower (Incl. Ref #2-4)
2	KH-24-100-02	2		Nut, Plastic
3	KH-25-139-16	1		Plug, Button, 9/16
4	KH-24-100-01	3		Nut, Plastic
5	KH-M-0551016	1		Screw, Hex Flange, M5 x 0.8 x 16
6	KH-M-545016-S	3	/P	Screw, Hex Flange, M5 x 0.8 x 16
7	KH-M-0545020	4	/P	Screw, Hex Flange, M5 x 0.8 x 20
8	KH-24-146-16-S	1	/P	Plate, Backing - #2 Side CH20S-64742
8	KH-24-146-55-S	1		Plate, Backing - #2 Side CH20S-64748
9	KH-M-0645016	1	S	Screw, Hex Flange, M6 x 1.0 x 16
10	KH-24-063-20	1	/P	Baffle, Cylinder Barrel - #2 Side CH20S-64742
10	KH-24-063-88-S	1	/P	Baffle, Cylinder Barrel - #2 Side CH20S-64748
11	KH-24-063-70-S	1		Baffle, Valley - #2 Side
12	KH-M-550010-S	2		Screw, Hex Flange, M5 x 0.8 x 10
13	KH-24-063-59-S	1		Baffle, Valley - #1 Side
14	KH-24-063-58-S	1	S	Baffle, Cylinder Barrel - #1 Side
15	KH-24-146-20-S	1	/P	Plate, Backing - #1 Side



Ref #	Part Number	Qty	S/P/F	Description
1	603-0412	1		Pedal Assy, Reverse
2	603-04313A	1	/P	Shaft Assy, Brake
3	603-04314	1		Shaft Assy, Forward/Reverse
4	703-05873	1		Bracket, Reverse Switch
5	703-2570A	1		Pedal, Forward
6	703-2573A	1		Pedal, Brake
7	703-2938	1		Bracket, Reverse Pivot
8	710-0514	4	/P	Screw, Hex Cap, 3/8-16 x 1.0 GR5
9	710-0623	2	/P	Screw, Hex Wash Hd Tapp 3/8-16x .75
10	710-0642	6	/P	Screw, Hex Wash Hd Tapp 1/4-20x .75
11	710-0796	1	/P	Screw, Truss Mach, #12 x 1.5
12	711-04543	1		Pin, 3/8-16 x 1.0
13	711-0736	1	/P	Ferrule, Adjustment, 1/4-20 Thrd
14	712-04064	3	/P	Nut, Hex Flange Lock, 1/4-20
15	712-04065	4	/P	Nut, Hex Flange Lock, 3/8-16
16	714-0104	7	S	Pin, Internal Cotter, 5/16 Dia x 1.12
17	714-0111	2	S	Pin, Cotter, 3/32 x 1.0
18	714-0145	1	S	Pin, Internal Cotter, 3/8 Dia x 1.62
19	725-3164A	1	S	Switch, Interlock (Brake)
20	725-3167	1	S	Switch, Snap Mount (Reverse)
21	725-3055	1		Clip, Cable Retainer
22	727-04141	1		Cylinder, Damper, .59 OD x 7.84 Lg
23	731-3205	1	S	Pedal, Reverse
24	732-0418	1		Spring, Extension, .38 OD x 2.1
25	732-04354	1		Spring, Extension
26	732-0463A	1	/P	Spring, Extension
27	732-0756A	1	S	Spring, Torsion
28	732-3118	1		Spring, Extension, .375 OD x 1.44
29	735-3048	1		Pad, Forward Foot Control
30	735-3049A	1	/P	Pad, Brake Foot
31	736-0187	2	/P	Washer, Flat, .64 x 1.24 x .06 HT
32	736-0326	1	S	Washer, Flat, .51 x 1.0 x .125
33	736-3010	2	/P	Washer, Flat, .407 x .812 x .135 HT
34	738-0145	1	S	Shoulder Bolt, .50 OD x .840
35	738-0560	1	S	Screw, Shoulder, .374 x 1.375
36	738-0974	1	S	Screw, Shoulder, .375 x .380:1/4-20
37	741-0225	2	S	Bearing, Hex Flange
38	741-3065B	2	/P	Bearing, Hex Flange Split
39	741-3073	2	S	Bearing, Flange, .375 x .58 x .25
40	741-3074	2		Bearing, Flange, .625 x .938 x .344
41	747-04426	1		Rod, Cruise
42	747-04478	1		Rod, Rear F/R Control
43	747-04479	1		Rod, Front F/R Control
44	747-04516	1		Rod, Brake
45	747-3341A	1	/P	Rod, Rear Connecting
46	747-3383	1	/P	Rod, Front Connecting
47	748-04102	1		Latch, Cruise
48	761-0215	1		Disc, Brake
49	710-1206	2	/P	Screw, Hex Wash Hd, Tapp, 1/4-20 x 2.375
50	712-0273	1	S	Nut, Hex Nylon Lock, 5/16-24
51	717-0678	2	S	Pad, Brake
52	717-0682	1	S	Plate, Puck
53	732-0925	1		Spring, Torsion