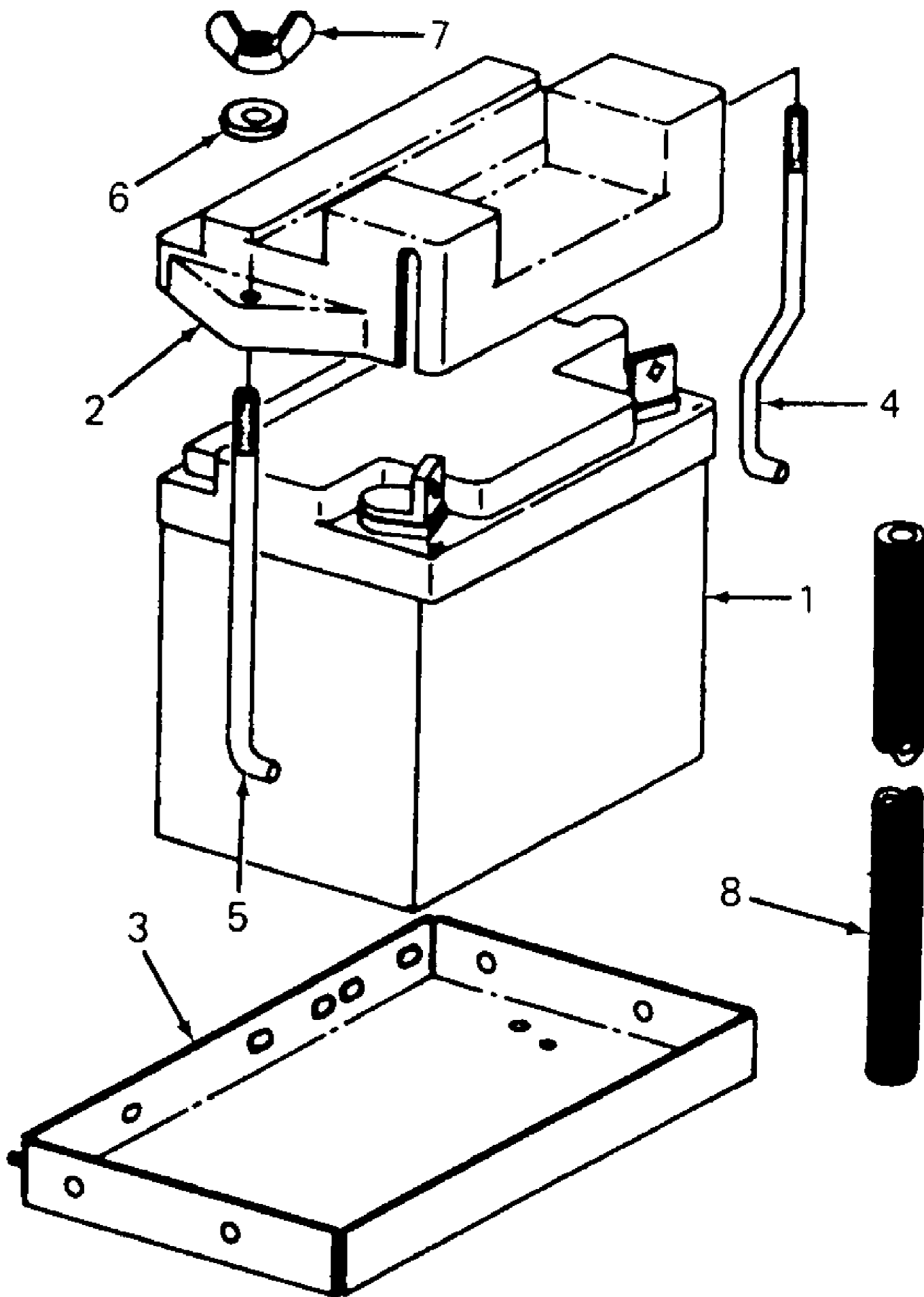


805
Air Cleaner

Page 2 of 66

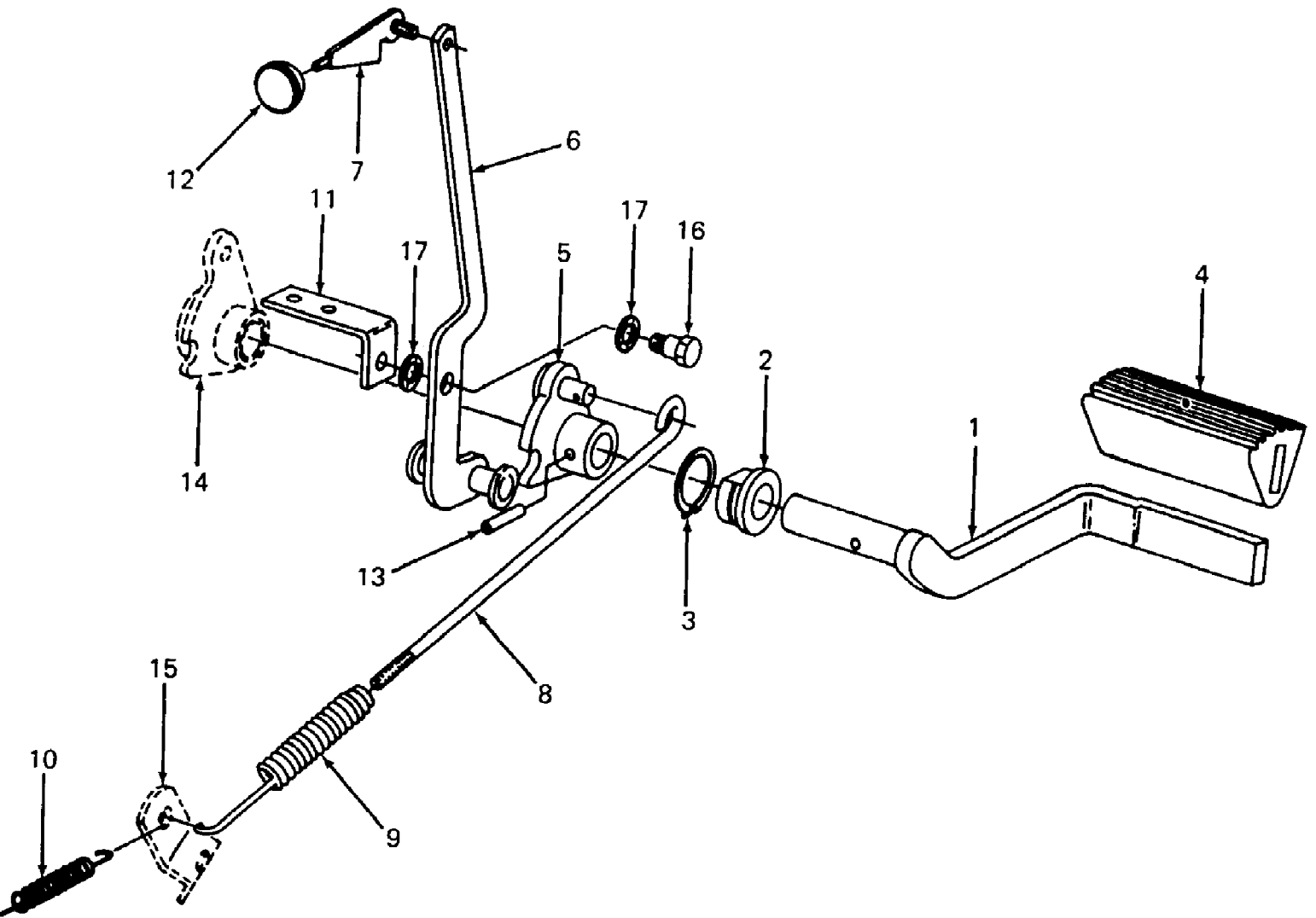
Ref #	Part Number	Qty	S/P/F	Description
1	BS-391399	1		Air Cleaner Assy, Air Ducted
	BS-280111	1		Support, Air Cleaner Element
2	BS-93622	1		Screw, Air Cleaner
3	BS-222149	1		Cup, Air Cleaner
4	BS-222022	1		Screen, Air Cleaner
5	BS-93323	1		Screw, Air Cleaner
6	BS-270528	1	S	Element, Air Cleaner
7	BS-222495	1		Spacer, Air Cleaner
8	BS-270539	1		Gasket, Air Cleaner



805
Battery & Mounting

Page 4 of 66

Ref #	Part Number	Qty	S/P/F	Description
1	725-3061	1	S	Battery, 12 Volt
	710-0451	2	/P	Bolt, Carr. 5/16-18 X .75 Long
	712-3010	2	S	Nut, 5/16-18
2	759-3193	1		Cover W/Graphic, Battery
	777-4491	1		Graphic
3	703-1144	1		Tray, Battery
	710-3008	4	/P	Bolt, 5/16 X 3/4 GR 5
	736-0119	4	S	Washer, 5/16 Lock
	736-3007	4		Washer, 5/16 Ext-Int Tooth Lock
	712-3010	4	S	Nut, 5/16 GR 5
4	711-3142	1		Rod, Battery Cover LH
5	711-0222	1	S	Rod, Battery Cover RH
6	736-0142	2	S	Washer, .281 X .500 X .056
7	712-3044	2		Nut, 1/4 Wing
8	735-3027	1		Hose, Battery Drain 48 in. Long



805

Page 6 of 66

Brake Pedal & Connections

Ref #	Part Number	Qty	S/P/F	Description
1	703-1249	1		Pedal, Brake
2	748-3009	1		Bearing, Flanged
3	716-0116	1	/P	Ring, Retainer
4	735-0189	1		Pad, Foot
5	703-1189	1		Cam, Brake
6	703-1226	1		Lever, Parking Brake
7	703-1224	1		Handle, Brake Parking
	712-0998	1	/P	Nut, No. 10 Cad P/T Lock GR 5
8	747-3102	1		Rod, Brake
	712-0107	1	S	Nut, 1/4-20 Hex Patch Lock
	736-0272	1	S	Washer .51 X 1.0 X .06 Flat
	714-0115	1	S	Pin, 1/8 X 1 Cot
9	732-3043	1		Spring, Extension
10	732-3046	1		Spring, Brake Return
11	703-1152	1		Support, Brake Lockout
	710-3008	2	/P	Bolt, 5/16 X 3/4 GR 5
	712-3009	2	S	Nut, 5/16 GR 5
12	720-3016	1		Knob, Brake Lock Handle
13	715-3028	1		Pin, 1/4 X 1-1/4 Pln Slit-Spr
14	703-1192	1		Cam, Clutch
15		1		Lever, Brake Part of Transaxle
16	738-0258	1	S	Screw, Shoulder
	712-3000	1	S	Nut, 3/8 Cad P/T Lock GR 5
17	736-0232	2	S	Washer, .530 X .780 X .013 Wave