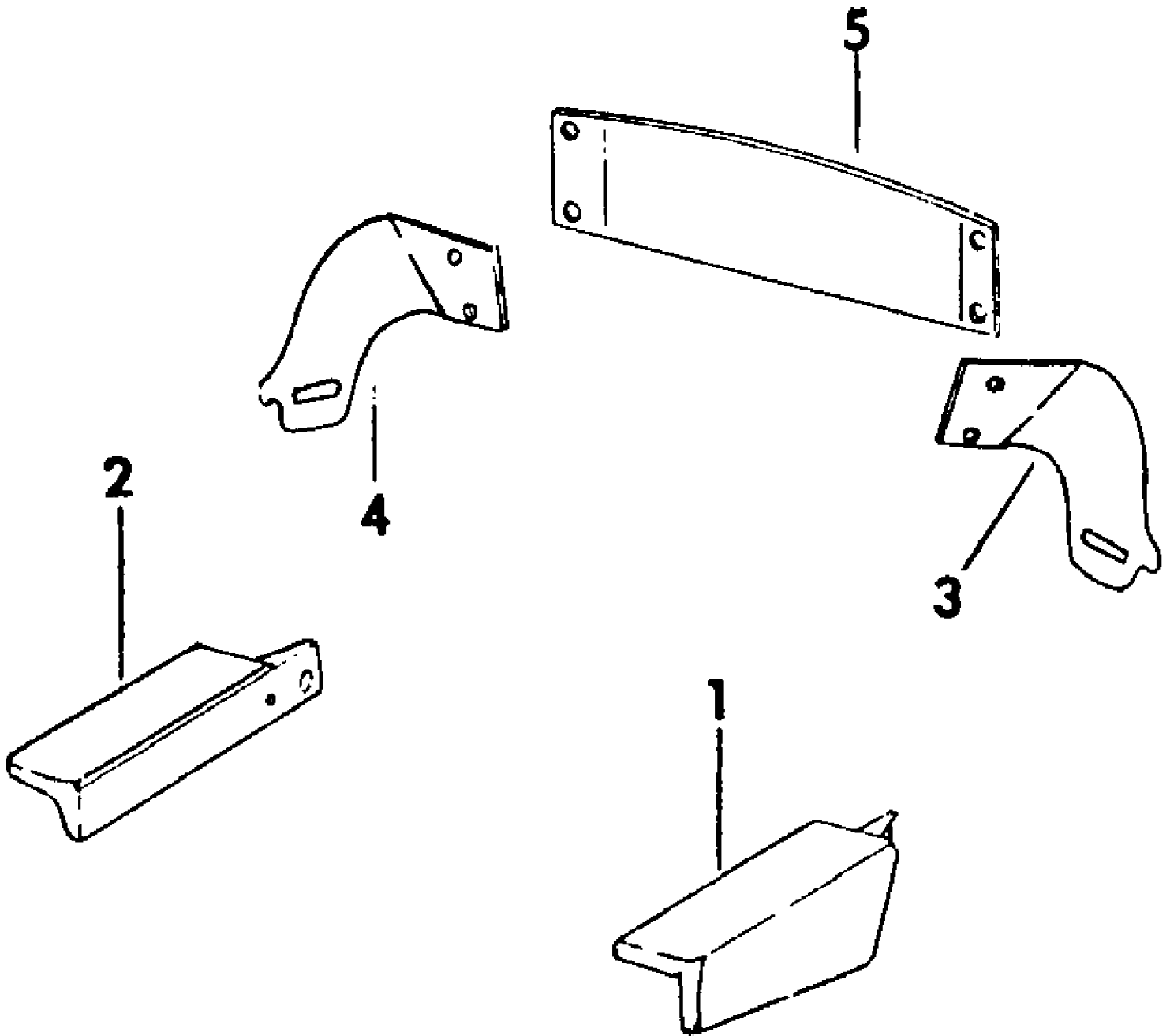


800
Armrest



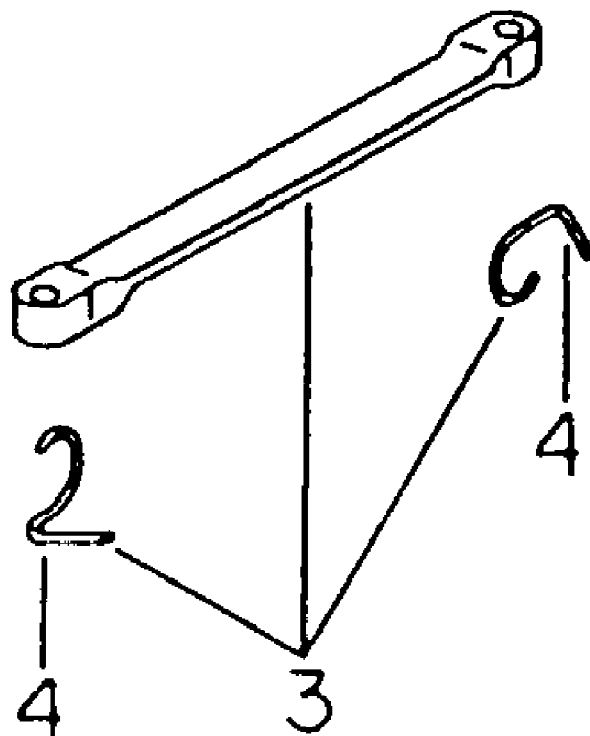
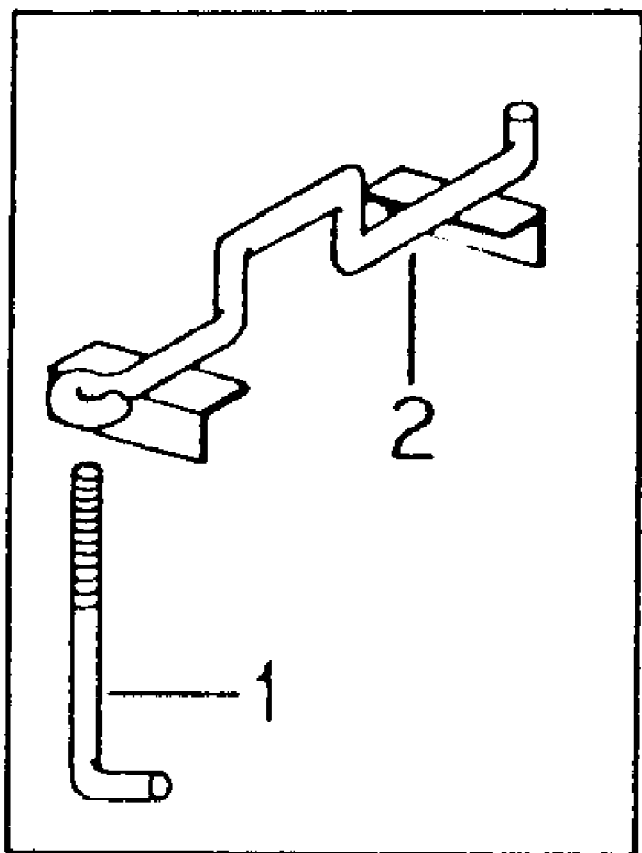
800
Armrest

Page 2 of 90

Ref #	Part Number	Qty	S/P/F	Description
1	IH-117265-C1	1		Rest, Arm, LH
2	IH-117266-C1	1		Rest, Arm, RH
3	IH-117267-C1	1		Bracket, Mounting, LH
4	IH-117268-C1	1		Bracket, Mounting, RH
5	IH-117269-C1	1		Bracket, Arm Brace
	IH-117331-C1	2		Nut, Pivot
	IH-117332-C1	2		Bolt, Slide Pivot
	IH-117333-C1	2		Washer, Belleville
	710-0323	4	/P	Screw, 5/16-18 X 3/16 Pan Hd Cr Rec Mach

800
Battery Holder

Page 3 of 90



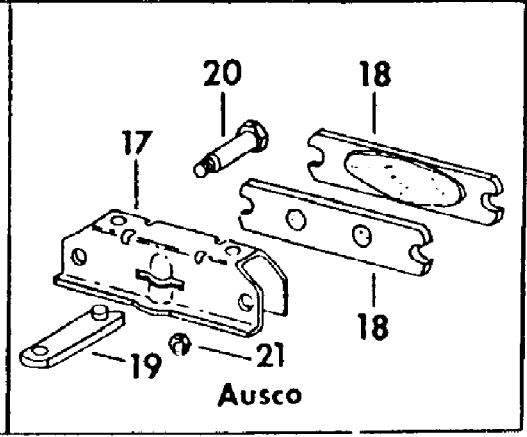
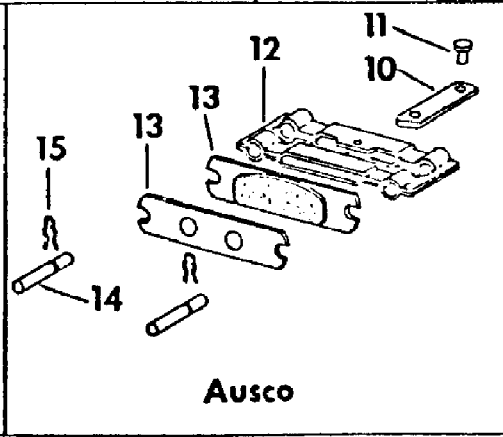
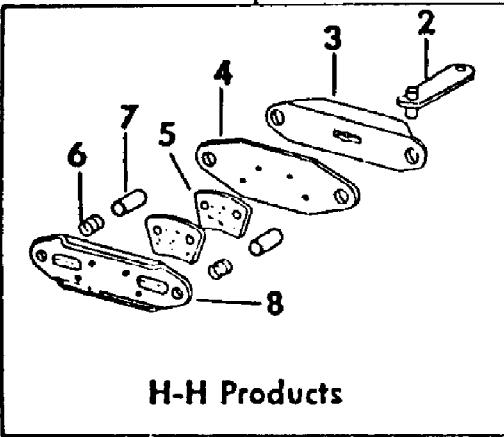
800
Battery Holder

Ref #	Part Number	Qty	S/P/F	Description
1	IH-544149-R1	1	S	Bolt, Battery Hold Down
	712-3044	1		Nut, 1/4-20 C-Z Type A Wing (Optional w/KH-X-276-7)
	KH-X-276-7	1	S	Nut, 1/4-20 Type A Wing (Optional w/712-3044)
2	~NLA	1		Clamp, Battery Hold Down (Order Ref No. 3)
3	703-0017	1	S	Strap Assy, Battery
4	747-3006	2		Hook, Battery

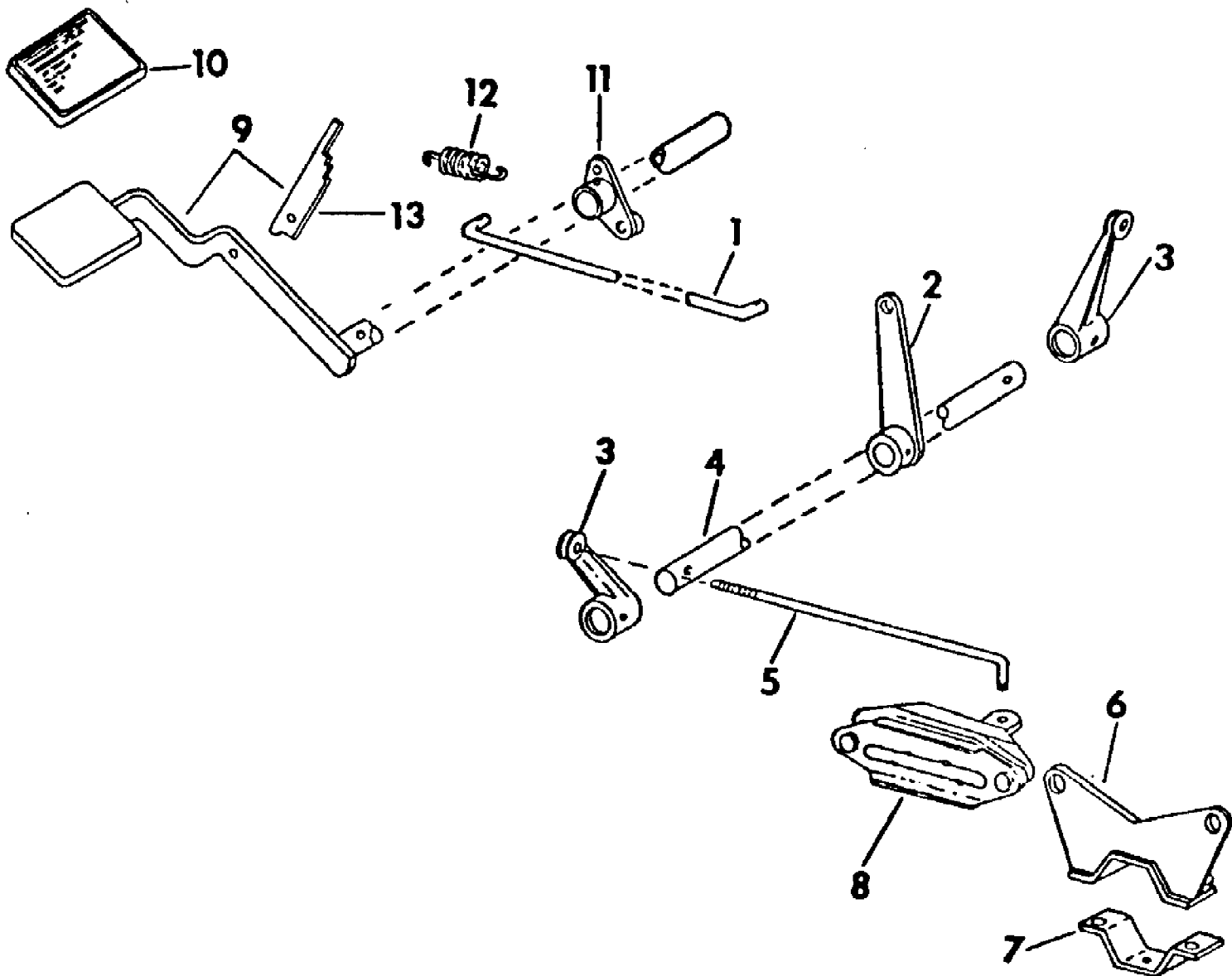
1

9

16



Ref #	Part Number	Qty	S/P/F	Description
1	IH-528822-R91	2	S	Caliper Assy, Brake (Order IH-57953-C91 LH or IH-60735-C91 RH)
2	IH-531636-R1	1		Lever Assy, Cam
3		1		Brake Assy, Actuator Cam (Order IH-57953-C91 or IH-60735-C91)
4		1		Carrier, Flat Plate (Order IH-57953-C91 or IH-60735-C91)
5		2		Liner, Brake (Order kit IH-544835-R91)
	IH-24699-R1	4		Rivet, 9/64 X 7/16 Fl Hd Tubular Brass
6	IH-530678-R1	2		Spring, Compression
7	IH-528823-R1	2		Spacer, Caliper
8	~NLA	1		Carrier, Rib Plate
		2		Screw, 3/8-24 X 2-1/4 Znd Hex Hd Cap (Common Hardware, Purchase Locally)
	712-0214	2	S	Nut, 3/8-24 Hex Lock
9	IH-57953-C91	1	S	Caliper Assy, Brake LH
	IH-60735-C91	1		Caliper Assy, Brake RH
10	~NLA	1		Lever, Actuator
11		1		Pin, 3/8 X 3/4 C-Z Rod End (Common Hardware, Purchase Locally)
		1		Pin, 3/32 X 5/8 C-Z Cot (Common Hardware, Purchase Locally)
12	~NLA	1		Bracket, Secondary
13	IH-548122-R1	2	S	Stator
14	IH-548121-R1	2		Pin, Straight
15	IH-148150	2		Retainer, 3/8 Spring
16	IH-57953-C91	1	S	Brake Assy, Spot LH
	IH-60735-C91	1		Brake Assy, Spot RH
17	IH-57954-C1	1		Bracket, Secondary
18	IH-548122-R1	2	S	Stator
19	IH-57957-C1	1		Lever, Actuating
20	IH-57955-C1	2		Bolt, Shoulder
21	IH-57956-C1	2		Nut, Lock
	IH-544835-R91	1		Kit, Brake Lining (For caliper assy IH-528822-R91) Liner Rivet Spring



Ref #	Part Number	Qty	S/P/F	Description
1	~NLA	1		Rod, Brake
	714-0474	2	S	Pin, 1/8 X 3/4 C-Z Cot
	736-0140	2	S	Washer, 13/32 X 3/4 X 16 Ga C-Z
2	~NLA	1		Lever Assy, Brake
3	IH-528630-R1	2		Arm, Brake
4	IH-528814-R2	1		Shaft, Brake Pivot
	715-3006	3	S	Pin, 1/4 X 1-3/4 Hv Coiled Spring
	IH-25708-R1	2	S	Washer, 11/32 X 3/4 X 16 Ga C-Z
5	IH-528817-R1	2		Rod, Brake
	714-0474	4	S	Pin, 1/8 X 3/4 C-Z Cot
	736-0275	2	S	Washer, 11/32 X 11/16 X .065 C-Z
	IH-124824	4		Nut, 5/16-18 C-Z Hex Jam
6	719-3014	2		Bracket Assy, Caliper
7	703-0222	2		Flange, Caliper Mounting
		4		Screw, 3/8-16 X 1-1/4 Cdp Hex Hd (Common Hardware, Purchase Locally)
	712-0798	4	/P	Nut, 3/8-16 Znd Hex (Used w/caliper IH-57953-C91)
8		2		Caliper Assy, Brake (For components see list of parts under details of brake caliper assembly)
9	759-3110	1		Pedal Assy, Clutch
	715-3018	2	S	Pin, 1/4 X 1-3/8 Med Coiled Spring
10	724-3000	1	S	Pad, Pedal
11	~NLA	1		Lever Assy, Clutch & Brake
12	732-3015	1	S	Spring, Brake Pedal Return
13	703-0006	1		Ratchet
	~NLA	1		Rivet, 1/4 X 11/16 F Hd Solid

