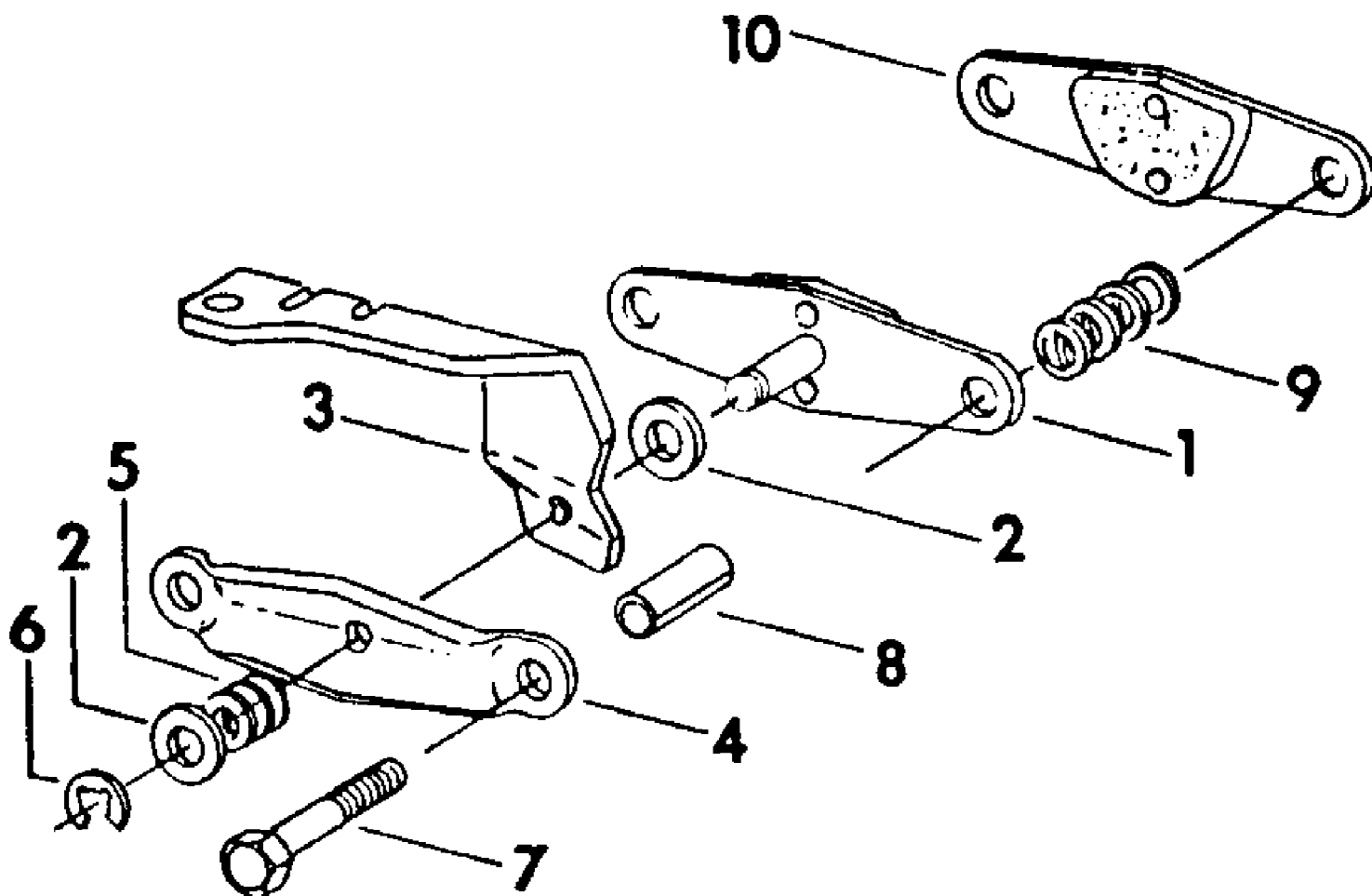


80  
Air Cleaner

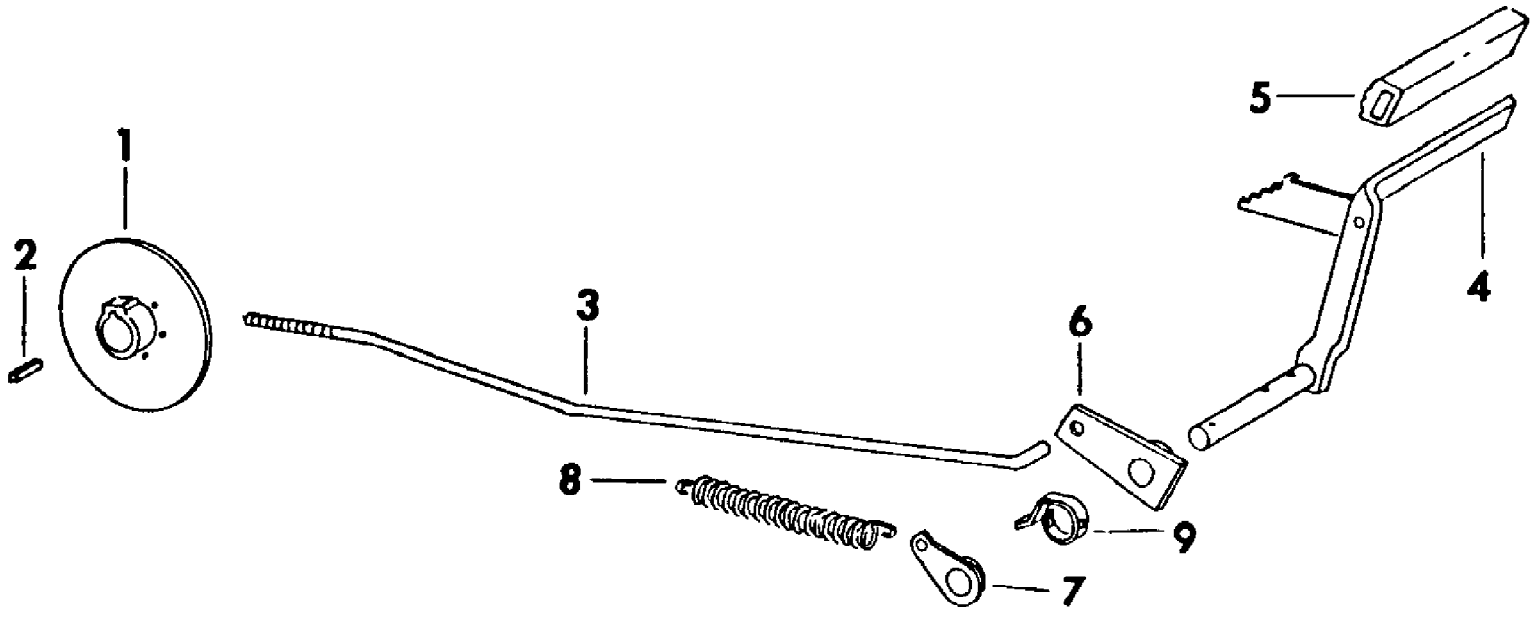
Ref #	Part Number	Qty	S/P/F	Description
1	BS-391399	1		Cleaner Assy, Air
	BS-280111	1		Support, Air Cleaner
2	BS-270539	1		Gasket, Air Cleaner
3	BS-270528	1	S	Element
4	BS-93622	1		Screw, Air Cleaner
5	BS-93323	1		Screw, Air Cleaner



80  
Brake Assy

Page 4 of 62

Ref #	Part Number	Qty	S/P/F	Description
	761-3000	1		Brake Assy
1		1		Plate Assy, Stud (Order brake pad kit 759-3393)
2	HH-03-03017	2		Washer, Thrust
3	HH-C-18-02434	1		Cam
4	HH-C-14-03286	1		Plate, Actuator
5	HH-A-06-03031	2		Spring, Compression
6	716-0108	1	S	Ring, Retaining
7	HH-01-03443	2	S	Bolt, 1/4 X 2 Type 5
8		1		Bushing, Split (Order brake pad kit 759-3393)
9	HH-A-06-03314	2		Spring, Return
10		1		Plate Assy, Rib (Order brake pad kit 759-3393)
	759-3393	1	/P	Pad Kit, Brake [Includes Ref No. 1, 8 (Qty 2) & 10]



## Brakes &amp; Connections

Ref #	Part Number	Qty	S/P/F	Description
1	761-3001	1		Disc & Hub Assy
	750-3008	2		Washer, .281 X .750 X .105
	712-0375	1	/P	Nut, 3/8-16 Hex Cad Lock
	712-0107	1	S	Nut, 1/4-20 Znd Hex Lock
2	714-0868	1	S	Key, 3/16 X 3/4 Woodruff No. 9
3	747-3027	1		Rod, Brake
	714-0507	1	S	Pin, 3/32 X 3/4 C-Z Cot
	736-0140	1	S	Washer, 13/32 X 1 X 16 Ga C-Z Flat
4	IH-538866-R1	1		Pedal Assy, Clutch & Brake
		1		Washer, .781 X 1.125 X .054 (Common Hardware, Purchase Locally)
5	724-3001	1		Pedal, Foot
6	703-0278	1		Lever Assy, Foot Pedal Brake
	715-0134	1	S	Pin, 3/16 X 1-1/2 Hv Coiled Spring
7	703-0280	1		Brake Assy
	715-0134	1	S	Pin, 3/16 X 1-1/2 Hv Coiled Spring
8	732-3019	1	/P	Spring, Extension
9	~NLA	1		Spring, Clutch (Serial no. 36820 & below)