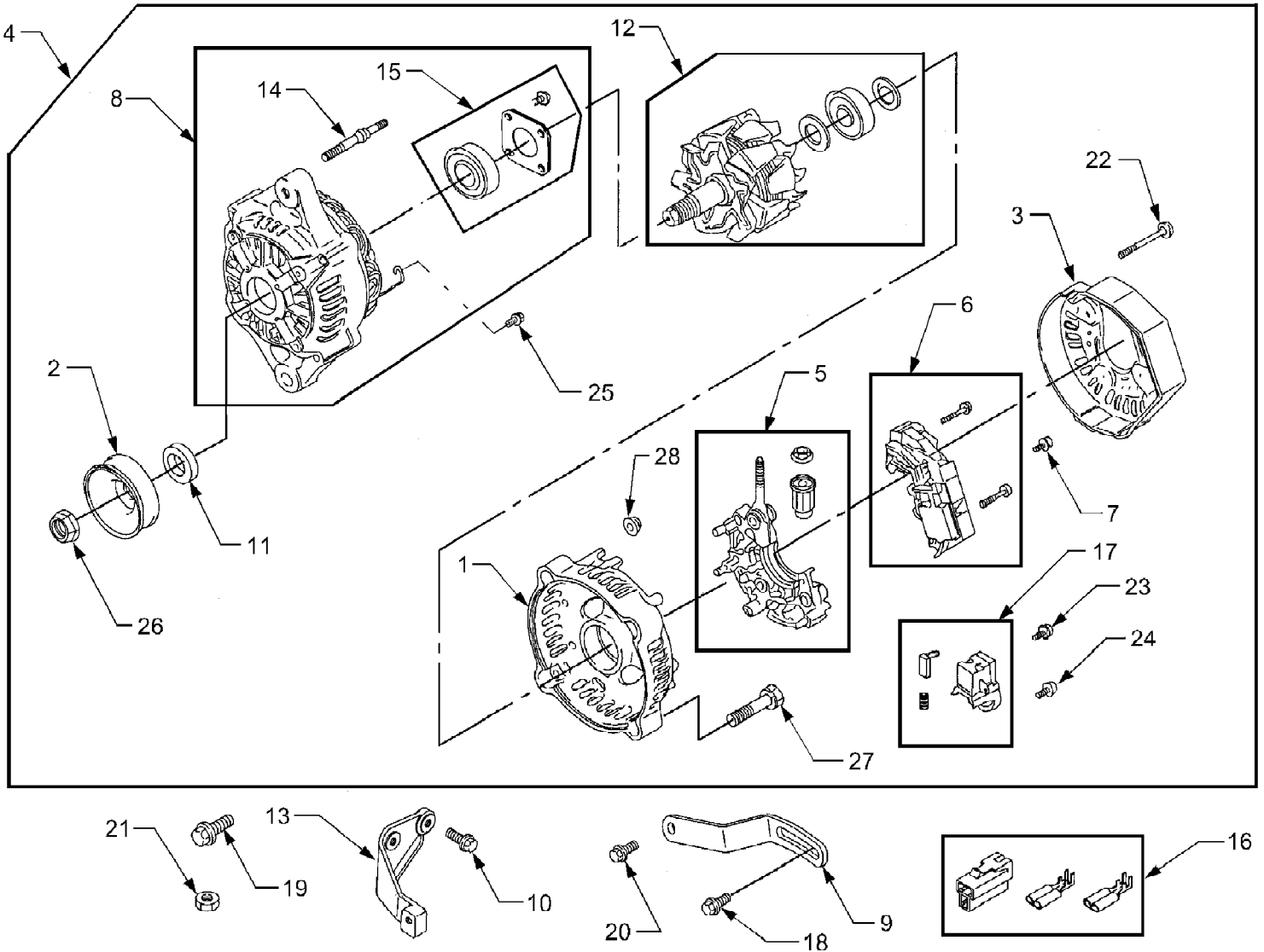


7304 Tractor
Alternator

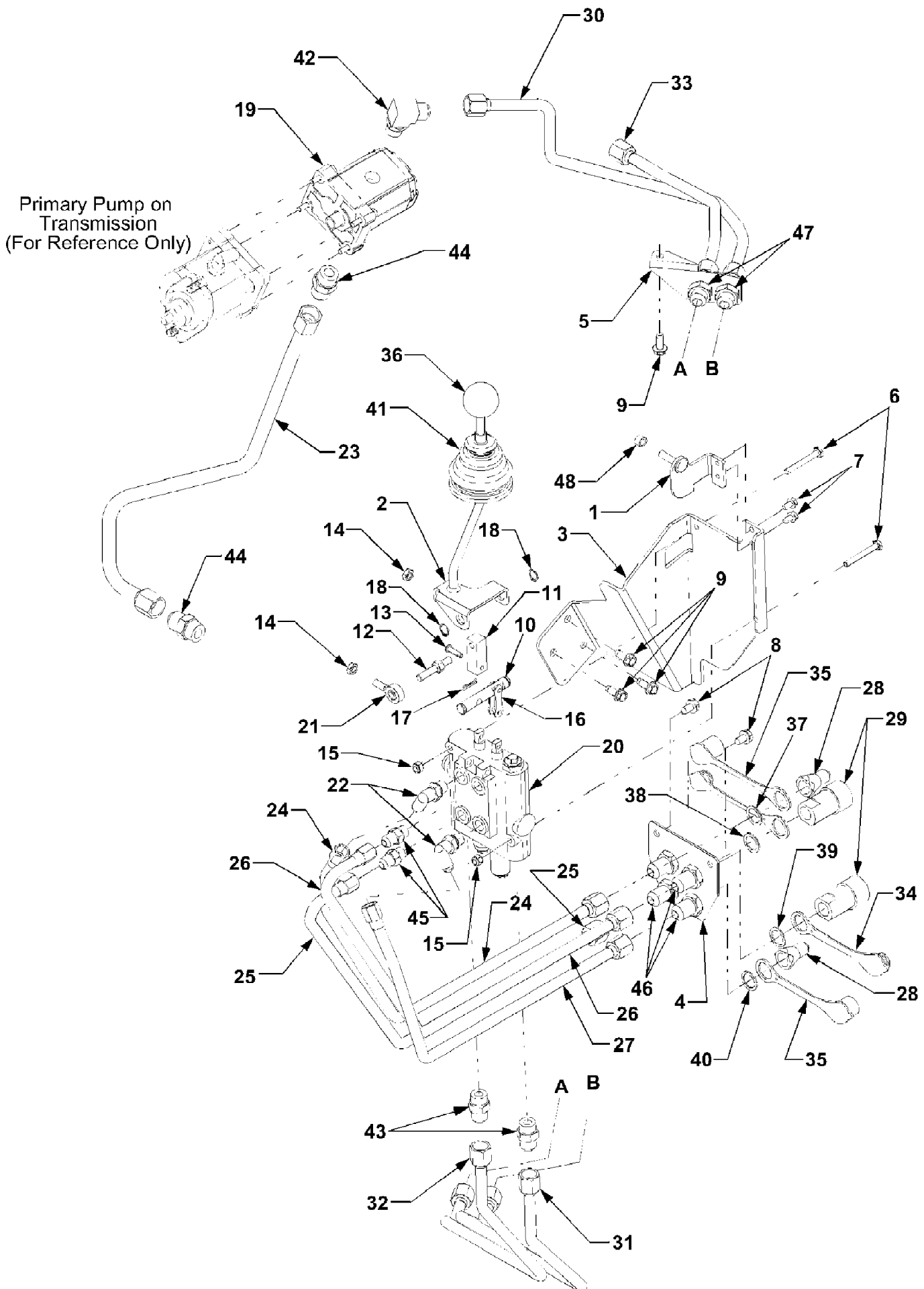


7304 Tractor
Alternator

Page 2 of 81

Ref #	Part Number	Qty	S/P/F	Description
1	BS-820938	1		Housing, Brush End
2	BS-820711	1		Pulley, Alternator
3	BS-820703	1		Cover, Brush
4	BS-825524	1		Alternator
5	BS-825385	1		Rectifier
6	BS-825388	1		Regulator
7	BS-820702	1		Screw, Rectifier
8	BS-825526	1		Housing, Drive End
9	BS-820819	1		Strap, Adjusting
10	BS-820275	1		Screw, Support Bracket
11	BS-820713	1		Spacer, Support Bracket
12	BS-825390	1		Rotor
13	BS-820213	1		Bracket, Support
14	BS-820690	1		Stud, Alternator
15	BS-825384	1		Retainer, Bearing
16	BS-825157	1		Connector, Terminal
17	BS-825387	1		Retainer, Brush
18	BS-820343	1	S	Screw, Alternator
19	BS-820270	1		Screw, Alternator
20	BS-820023	1		Screw, Adjusting Strap
21	BS-820069	1		Nut, Alternator
22	BS-820715	1		Screw, Brush Cover
23	BS-820701	1		Screw, Brush Retainer
24	BS-820702	1		Screw, Brush Retainer
25	BS-820702	1		Screw, Ground Terminal
26	BS-820705	1		Nut, Alternator Pulley
27	BS-820707	1		Screw, Brush End Housing
28	BS-820709	1		Nut, Brush End Housing

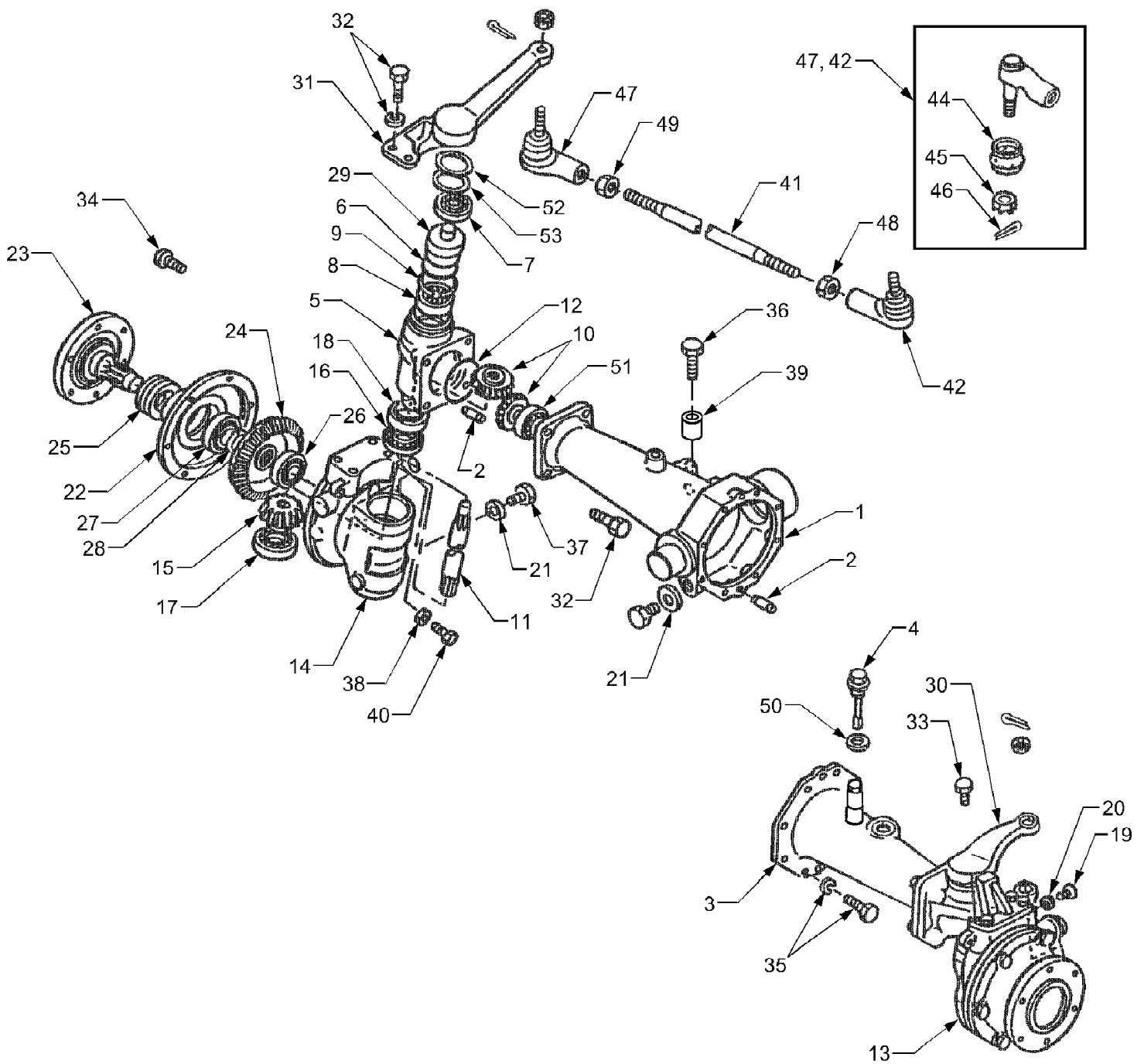
7304 Tractor
Auxiliary Hydraulic Loader Valve



7304 Tractor
Auxiliary Hydraulic Loader Valve

Ref #	Part Number	Qty	S/P/F	Description
1	603-0813	1	S	Pivot Bracket Assembly
2	603-0862	1		Valve Handle Assembly
3	703-3598-0637	1	/P	Loader Valve Mount Bracket
4	703-3972-0637	1	/P	Fitting Mount Plate
5	703-3973-0637	1	/P	Rear Fitting Mount Plate
6	710-0501	2	/P	Hex Screw, 1/4-20, 2.00, Gr5
7	710-0599	2	/P	Hex Wash. Hd. Tapp Screw 1/4-20 x .50
8	710-0604A	2	/P	Hex Wash. Hd. Tapp Screw 5/16-18 x .625
9	710-1260A	4	/P	Hex Wash. Hd. Tapp Screw 5/16-18 x .75
10	711-1611	1		Valve Pivot Shaft
11	711-1624	1		Valve Spool Link
12	711-1637	1		Ball Joint Pivot Stud
13	711-1642	1		Clevis Pin, .199 x .8125
14	712-0256	2	/P	Jam Nut, 5/16-24, Gr2
15	712-0324	2	/P	Hex Lock Nut, 1/4-20, Gr8, Nylon
16	713-3000	1	S	Chain Link
17	714-0104	1	S	Internal Cotter Pin
18	716-0865	2	/P	Snap Ring, .5
19	718-3138	1	S	Auxiliary Hydraulic Pump
	759-3964	2		Pin, Dowel
	759-3965	4	S	Bolt, Mounting
	759-3966	1		Coupler, Splined
20	718-3140	1		Loader Control Valve
21	723-0488	1	S	Ball Joint, .3125 Id x 5/16-24
22	727-3012	2	/P	Fitting, 90° 6-6 Orb
23	727-3206	1		Tube, Tandem Pump Suction
24	727-3210	1		Tube, Hydraulic - Bucket Rollback
25	727-3211	1		Tube, Hydraulic - Bucket Dump
26	727-3212	1		Tube, Hydraulic - Boom Lift
27	727-3213	1		Tube, Hydraulic - Boom Lower
28	727-3224	2		Coupling, Male Hydraulic, 3/8-18
29	727-3225	2		Coupling, Female Hydr. 3/8-18
30	727-3226	1		Tube, Auxiliary Pump Pressure
31	727-3227	1		Tube, Valve Pressure
32	727-3228	1		Tube, Valve Return
33	727-3229	1		Tube, Valve Return
34	727-3261	2		Plug, Hydraulic Coupler - Male
35	727-3262	2	/P	Plug, Hydraulic Coupler - Female
36	731-3353	1		Knob, 1.625 Dia x 3/8-16 Thd
37	731-3374	1	/P	Washer, Indicator - Red
38	731-3375	1	/P	Washer, Indicator - Yellow
39	731-3376	1	/P	Washer, Indicator - Green
40	731-3377	1	/P	Washer, Indicator - Blue
41	735-0696	1		Joystick Boot
42	737-3111	1		Fitting, 90° -8 Orb
43	737-3112	2		Fitting, Straight -8 Orb
44	737-3113	2		Fitting, Straight
45	737-3125	2		Fitting, Straight - 6 Orb
46	737-3129	4		Fitting, Bulkhead 3/4-16 x 3/8-18
47	737-3130	2		Fitting, Bulkhead 3/4-16 x 3/4-16
48	750-0845	1	S	Spacer, .34 ID x .5 OD x .31

7304 Tractor
Axle Assembly - 4WD (Part 1)



7304 Tractor
Axle Assembly - 4WD (Part 1)

Page 6 of 81

Ref #	Part Number	Qty	S/P/F	Description
1	IM-326021860	1		Housing Assembly, Axle Includes Ref. No. 2
2	IM-030500820	4		Pin, Dowel
3	IM-326345040	1		Housing, Axle LH
4	IM-398400440	1		Gauge, Oil Level
5	IM-322013110	2		Housing Assembly, Pinion Gear Includes Ref. No. 2
6	IM-052300400	2		O-Ring
7	IM-040136204	2		Bearing, Ball
8	IM-040106303	2		Bearing, Ball
9	IM-036500047	2		Ring, Snap
10	IM-326240290	4		Gear, Final Pinion Idler
11	IM-322511091	2		Shaft, Idler Drive
12	IM-052300650	2		O-Ring
13	IM-322117840	1	S	Housing, Final Drive LH
14	IM-322117850	1	S	Housing, Final Drive RH
15	IM-326240280	2		Gear, Final Drive Pinion
16	IM-042532006	2		Bearing, Tapered
17	IM-040106006	2		Bearing, Ball
18	IM-050600038	2		Seal, Oil
19	IM-064600016	2		Plug
20	IM-025100016	2		Washer, Seal
21	IM-025100012	3		Washer, Seal
22	IM-322212311	2	S	Housing, Final Drive
23	IM-326312330	2	S	Wheel Hub/Shaft
24	IM-326370450	2		Gear, Final Drive
25	IM-050609043	2		Seal, Oil, 35mm x 55mm x 15mm
26	IM-040106205	2		Bearing, Ball
27	IM-040106206	2		Bearing, Ball
28	IM-036100030	2		Ring, Snap
29	IM-330310712	2		Kingpin
30	IM-334525190	1		Arm, Steering LH
31	IM-334525200	1		Arm, Steering RH
32	IM-011511025	12		Bolt, M10 x 25
33	IM-011511030	4		Bolt, M10 x 30
34	IM-011510820	12		Bolt, M8 x 20
35	IM-011510825	8		Bolt, M8 x 25
36	IM-010311035	2		Bolt, M10 x 35
37	IM-010301212	3		Bolt, M12 x 12
38	IM-020900008	2		Nut, M8
39	IM-399234470	2		Collar
40	IM-010310825	2		Bolt, M8 x 25
41	IM-334712010	1		Rod, Tie
42	IM-334801170	1		Tie Rod End, LH Includes Ref. Nos. 44 thru 46
44	IM-334810207	2		Cover, Dust
45	IM-334810209	2		Nut, Castle, M12 x 1.25
46	IM-030103025	2	S	Pin, Cotter
47	IM-334801150	1		Tie Rod End, RH Includes Ref. Nos. 44 thru 46
48	IM-020109029	1		Nut, Jam, LH Thrd
49	IM-020800014	1		Nut, Jam, M14 RH Thrd
50	IM-025100020	1		Washer, Seal
51	IM-040106304	2		Bearing, Ball

7304 Tractor
Axle Assembly - 4WD (Part 1)

Page 7 of 81

Ref #	Part Number	Qty	S/P/F	Description
52	IM-199280540	AR		Shim, 0.2T
53	IM-199280550	AR		Shim, 0.5T

7304 Tractor
Axle Assembly - 4WD (Part 2)

