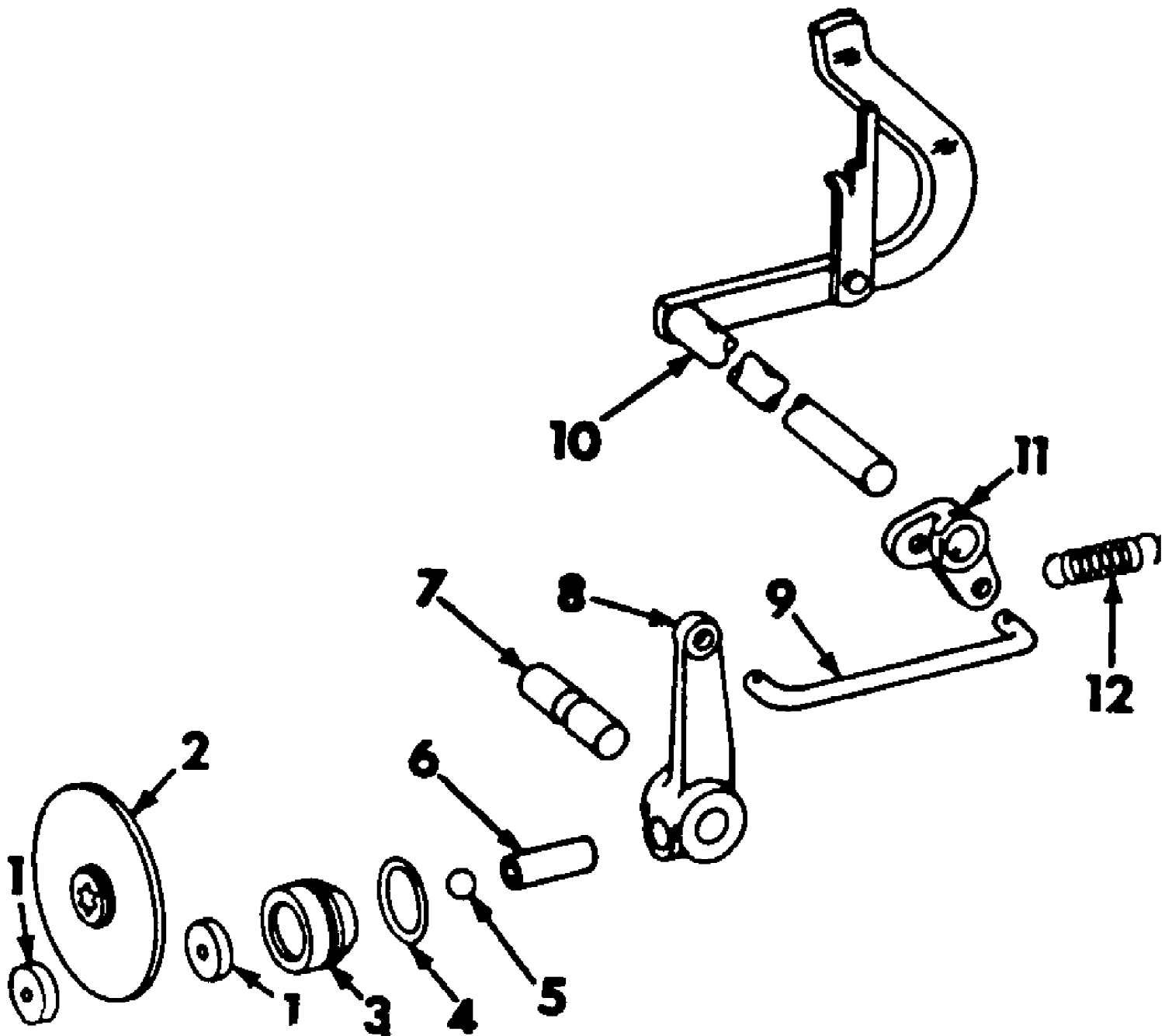
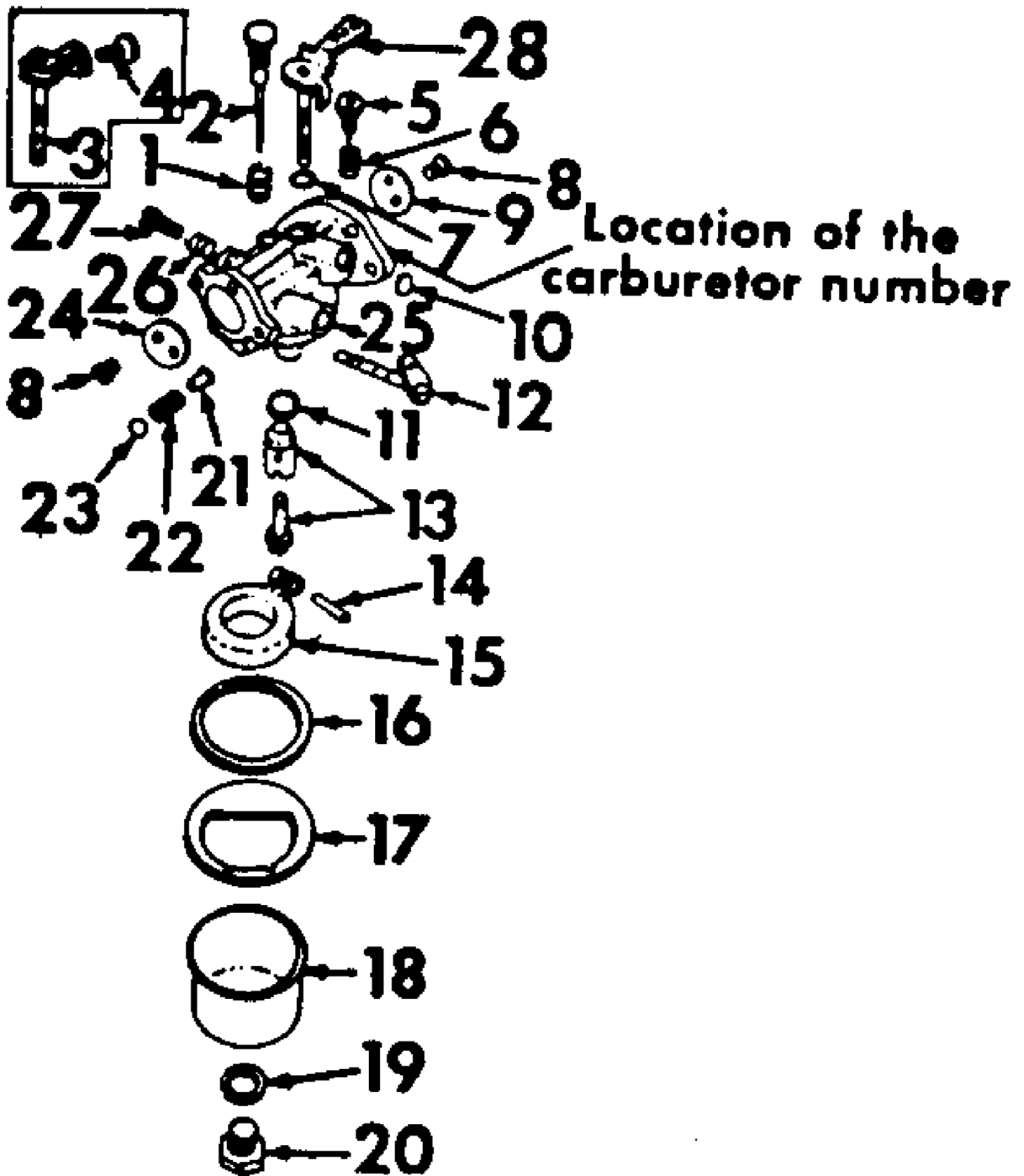


73
Battery Holder

Ref #	Part Number	Qty	S/P/F	Description
1	IH-376294-R2	2		Bolt, Battery Hold Down
	KH-X-276-7	2	S	Nut, 1/4-20 Type A Wing
2	IH-376293-R2	1	S	Clamp, Battery Hold Down



Ref #	Part Number	Qty	S/P/F	Description
1	IH-384719-R1	2	S	Disc, Brake Lining
2	IH-384717-R11	1		Disc Assy, Brake
3	IH-384720-R2	1		Retainer, Brake Lining
4	IH-378031-R1	1	/P	O-Ring, 1-3/16 X 1-3/8 X 3/32
5	IH-17018-R1	1		Ball, 9/16 Cr-Stl
6	IH-384721-R1	1		Rod, Brake Push
7	IH-384722-R1	1		Pin, Brake Lever Pivot
8	IH-384723-R1	1		Lever, Brake
		1		Nut, 3/8-16 Hex Common Hardware Purchase Locally
		1		Screw, 3/8-16 X 1-3/4 Sq Hd Ov Pt Set Common Hardware Purchase Locally
9	IH-384724-R1	1		Rod, Brake
	714-0507	2	S	Pin, 3/32 X 3/4 Cot
10	~NLA	1		Pedal Assy, Clutch & Brake
	~NLA	1		Rivet, 1/4 X 11/16 Small B-Hd Solid
	736-3001	1	/P	Washer, Spring
11	~NLA	1		Arm, Clutch & Brake Pedal
	IH-19689-R1	2	S	Pin, 1/4 X 1-1/4 Hv Coiled Spring
12	IH-370278-R1	1	S	Spring, Clutch Pedal Return



Carburetor

Ref #	Part Number	Qty	S/P/F	Description
	KH-41-853-11	1	/P	Carburetor Assy
1	KH-200383	1	/P	Spring, High Speed Needle
2	KH-200410	1	/P	Needle Assy, High Speed
3		1		Not used in this application
4		1		Not used in this application
5	KH-200438	1		Screw, Idle Adjusting
6	KH-200380	1		Spring, Idle Adjusting Screw
7		1		Seal, Throttle Shaft Dust (Furnish complete Carburetor Assy)
8		4		Screw, Choke & Throttle Valve Common Hardware Purchase Locally(Furnish complete Carburetor Assy)
9		1		Valve Assy, Throttle (Furnish complete Carburetor Assy)
10		1		Plug, 3/8 Aluminum Expansion (Furnish complete Carburetor Assy)
11		1		Gasket, Needle Seat (Furnish Repair Kit KH-25-757-01)
12		1		Shaft & Lever Assy, Choke (Furnish complete Carburetor Assy)
13		1		Needle & Seat Assy w/Spring (Furnish Repair Kit KH-25-757-01)
14	KH-200376	1	/P	Pin, Float & Lever
15	KH-25-757-03	1	S	Float & Lever Assy
16	KH-200375	1	/P	Gasket, Fuel Bowl Ring
17	KH-25-041-02	1	/P	Gasket, Fuel Bowl
18	KH-200418	1	/P	Bowl, Fuel
19		1		Gasket, Fuel Bowl Screw (Furnish Repair Kit KH-25-757-01)
20	KH-41-100-01	1	S	Screw, Fuel Bowl
21		1		Plug, Idle Passage Rivet (Furnish complete Carburetor Assy)
22		1		Spring, Choke Shaft (Furnish complete Carburetor Assy)
23		1		Ball, Choke Shaft (Furnish complete Carburetor Assy)
24		1		Valve Assy, Choke (Furnish complete Carburetor Assy)
25		1		Body, Carburetor (Order Carburetor Assy)
26	KH-232555	1		Spring, Throttle
27	KH-232556	1		Screw, Throttle Lever Adjusting
28	IH-391078-R1	1		Shaft & Lever Assy, Throttle (Furnish complete Carburetor Assy)
	KH-25-757-01	1	/P	Kit, Carburetor Repair (Consists of Ref No. 13, 14, 16, 17 & 19)