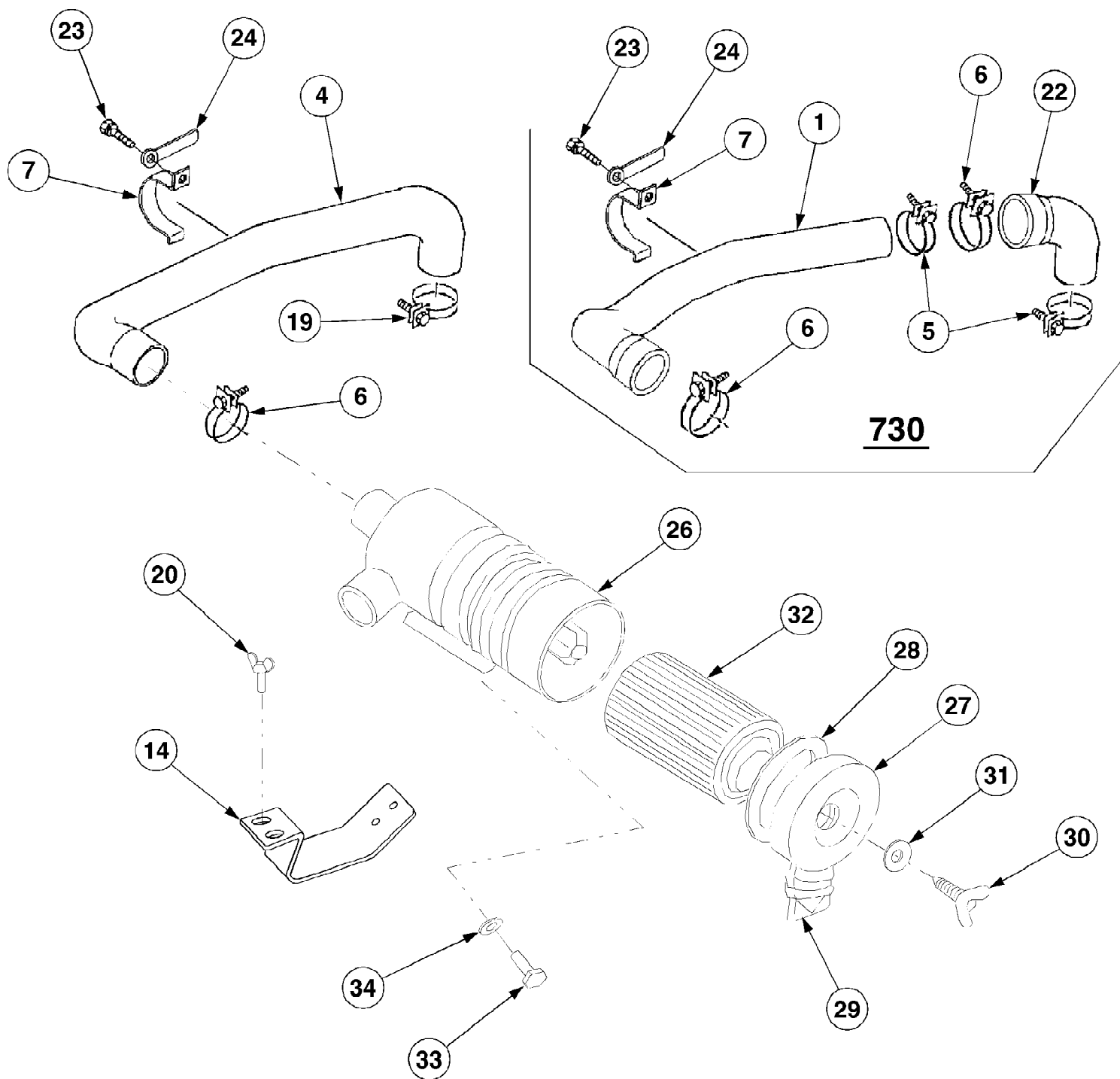


7265 Tractor
3 Point Linkage

Page 2 of 229

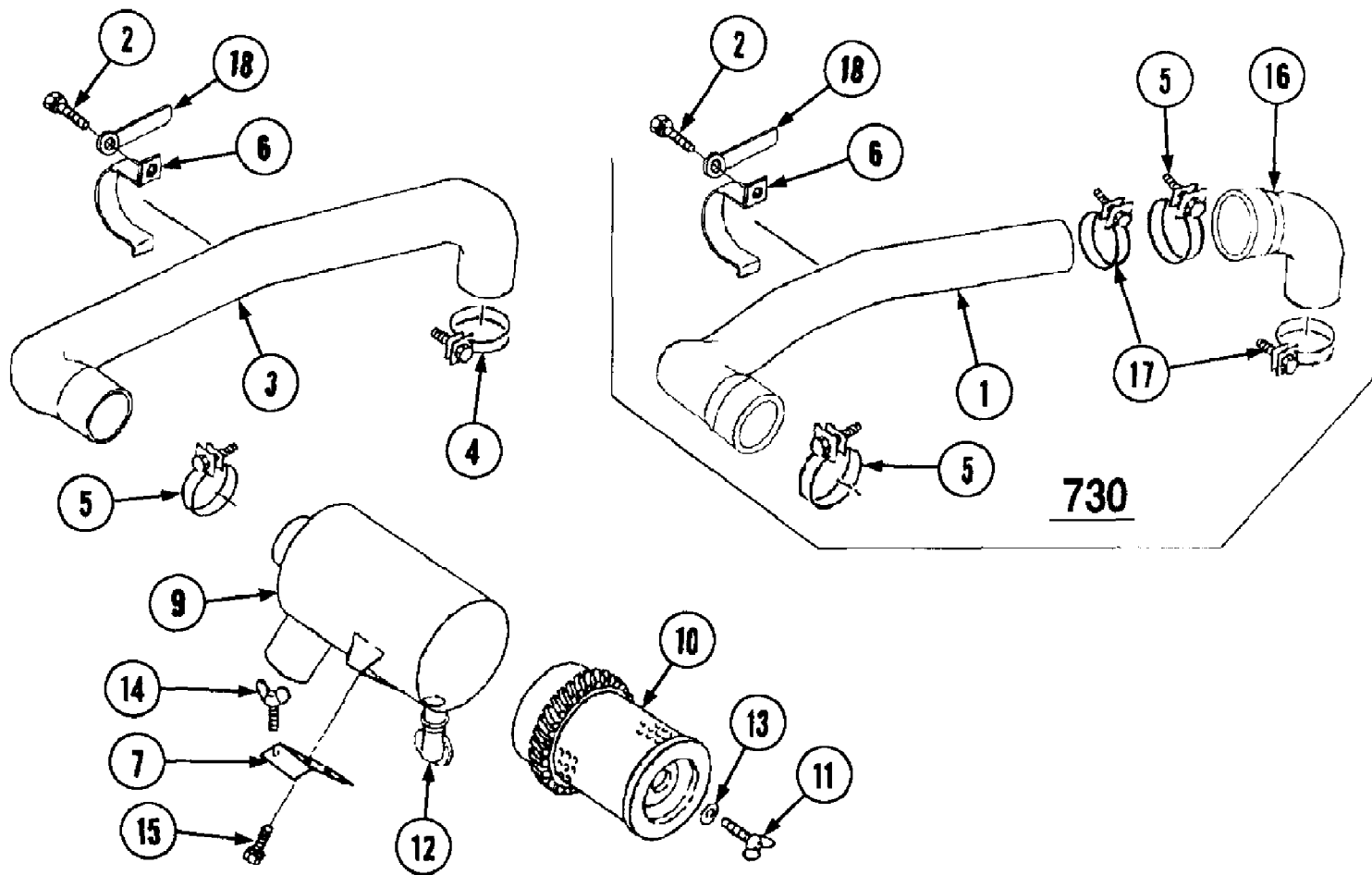
Ref #	Part Number	Qty	S/P/F	Description
1	MA-19643013AG0	1	/P	Bracket L.H.
2	MA-19643015AG0	1	/P	Bracket R.H.
3	MA-19643001AG0	1		Bracket L.H.
3A	MA-19643002AG0	1		Bracket R.H.
4	MA-A0400114035	12		Bolt
5	MA-A3600101402	12		Washer
6	MA-19643006AG0	2		Link, Lower
	MA-19643005AG0	1		3P Sub Ass'y. Includes Items 6 - 42
7	MA-19643007AG0	1	/P	Rod, Lift L.H.
	MA-19643011AG0	1	/P	Rod, Lift R.H.Ass'y. Includes Items 9 - 12
9	MA-19633012AG0	1	/P	Rod A
10	MA-10323025AG0	1	/P	Lift Rod Middle
11	MA-19643014AG0	1	/P	Rod B
12	MA-10323024000	1	S	Nut, Lock
	MA-19643016001	2		Check Chain Ass'y. Includes Items 14 - 17
14	MA-19643017000	2		Chain A
15	MA-19643018000	2		Chain B
16	MA-10323027001	2		Turn Buckle
17	MA-A3000114002	2		Nut
20	MA-19643019AG0	2		Washer, Check Chain
21	MA-A3600101802	2	/P	Washer
22	MA-A3030118001	2		Nut
23	MA-19633021000	2		Pin, Clevis
24	MA-05200130020	2		Pin, Split
26	MA-10323018001	2	/P	Pin
27	MA-10323019000	2		Pin Snap
28	MA-19633024000	1		Band
29	MA-10323012000	6		Pin, Linch
30	MA-10323016000	2		Washer
	MA-19643036AG0	1		Top Link Ass'y. Includes Items 32 - 35
32	MA-19643037AG0	1	/P	Turn Buckle
33	MA-19643038AG0	1	/P	Adjuster
34	MA-19643039000	1		Nut-Lock
35	MA-19643041AG0	1	/P	Adjuster
38	MA-19633037000	1		Pin, Upper Link
39	MA-10323012000	1		Linch Pin
41	MA-19633038000	1		Pin
42	MA-19633041000	1		Pin, Snap
44	MA-19633031000	1		Hook, Top Link
45	MA-19633034AG0	1	S	Cover, PTO
46	MA-F1540112025	2		Bolt



7265 Tractor
Air Cleaner SN 23006 & above

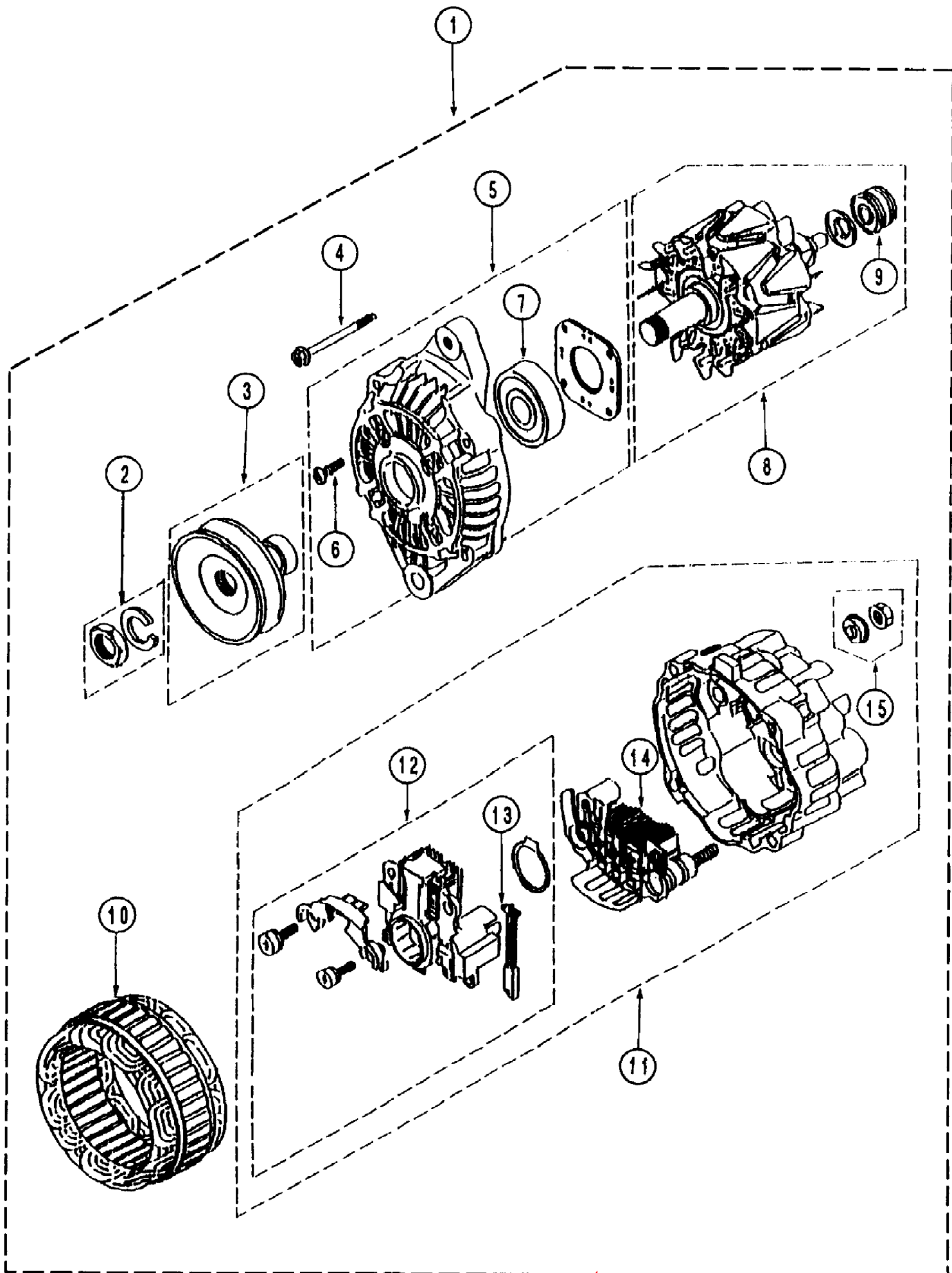
Ref #	Part Number	Qty	S/P/F	Description
	MA-19680511000	1		Air Cleaner Assembly. (items 26-32) Refer to Service Advisory CCT-020.
1	MA-19680517000	1		Hose, Air A
4	MA-19640513000	1		Hose, Air
5	MA-00501100530	1		Clamp, Hose
6	MA-00501100630	1		Clamp, Hose
7	MA-19630513000	1		Clamp
14	MA-19680513AG0	1		Plate
19	MA-00501100560	1		Clamp, Hose
20	MA-14141454000	1		Bolt, Wing
22	MA-19680518000	1		Hose, Air B
23	MA-H1540108020	1		Bolt
24	MA-00502108083	1		Clamp
26		1		Case Ass'y. (order assembly)
27	MA-35530501300	1		Cap
28	MA-35530501400	1		Gasket
29	MA-35460501400	1		Valve, Unloader
30	MA-35530501600	1		Bolt, Wing
31	MA-35460501600	1		Washer, Seal
32	MA-35530501800	1		Element use with MA-19680511000
33	MA-F1540108012	2		Bolt
34	MA-03500150822	2		Washer

7265 Tractor
Air Cleaner SN 23006 & below



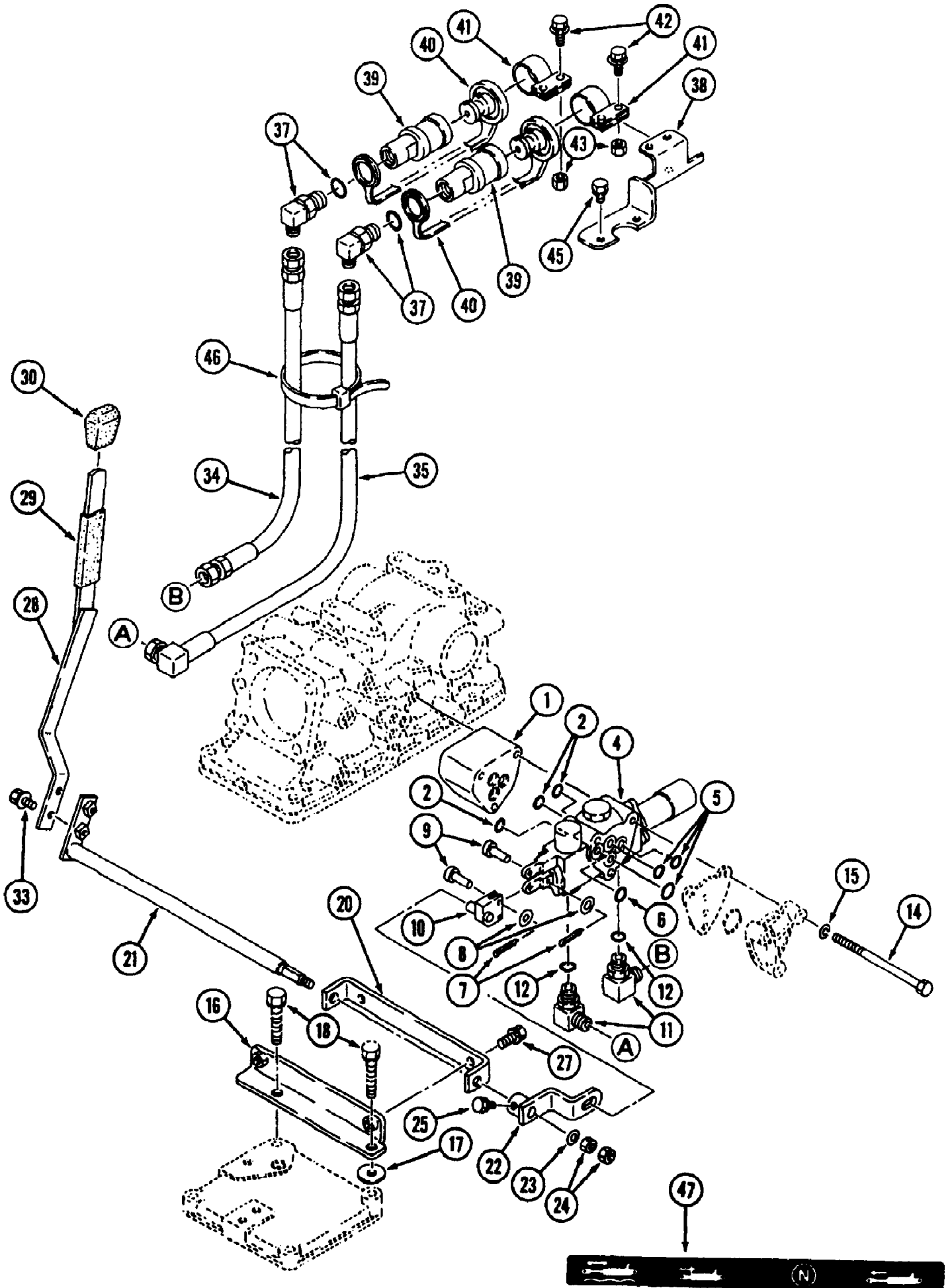
7265 Tractor
Air Cleaner SN 23006 & below

Ref #	Part Number	Qty	S/P/F	Description
1		1		Hose, Air A Not used on this product; 7300 S/N 21933 & Higher, 7305 S/N 23070 & Higher. Hoses MA-19680517000 and MA-19680518000 replace hose MA-19640513000 on lower Serial No. 730 Series tractors. Also order Hose Clamps MA-00501100530 (Qty. 2) and MA-05001100630 (Qty. 1).
2	MA-F1540108020	1	F	Bolt
	MA-H1540108020	1	F	Bolt
3	MA-19640513000	1		Hose, Air
4	MA-00501100560	1		Clamp, Hose
5	MA-00501100630	1		Clamp, Hose
6	MA-19630513000	1		Clamp
7	MA-19640514AG0	1		Plate
	MA-19640511000	1		Air Cleaner Ass'y. Includes items 9-13
9	MA-19640511100	1		Case Ass'y.
10	MA-10310511200	1		Element
11	MA-37000306000	1		Bolt Ass'y. Wing
12	MA-10300511300	1		Valve
13	MA-37000308000	1		Washer, Seal
14	MA-14141454000	1		Bolt, Wing
15	MA-F1540108016	2		Bolt
16		1		Hose, Air B Not used on this product; 7300 S/N 21933 & Higher, 7305 S/N 23070 & Higher. Hoses MA-19680517000 and MA-19680518000 replace hose MA-19640513000 on lower Serial No. 730 Series tractors. Also order Hose Clamps MA-00501100530 (Qty. 2) and MA-05001100630 (Qty. 1).
17		1		Clamp, Hose Not used on this product; 7300 S/N 21933 & Higher, 7305 S/N 23070 & Higher. Hoses MA-19680517000 and MA-19680518000 replace hose MA-19640513000 on lower Serial No. 730 Series tractors. Also order Hose Clamps MA-00501100530 (Qty. 2) and MA-05001100630 (Qty. 1).
18	MA-00502108083	1	F	Clamp



7265 Tractor
 Alternator 26 HP Engine

Ref #	Part Number	Qty	S/P/F	Description
1	MA-31A68-00401	1	S	Alternator Ass'y
2	MA-A981X20771	1		Nut Set
3	MA-A628T62170	1		Puller Ass'y
4	MA-A414X19271	1		Bolt Set
5	MA-A640T52770	1		Bracket Ass'y, Front
6	MA-A414X21271	1		Screw Set
7	MA-S930P18870	1		Bearing, Front
8	MA-A880T65470	1		Rotor Ass'y
9	MA-S930P63670	1		Bearing, Rear
10	MA-A383T46370	1		Stator Ass'y
11	MA-A642X25570	1		Bracket Ass'y, Rear
12	MA-A866X28472	1		Regulator Set
13	MA-A647X50170	2	/P	Brush Set
14	MA-A860T40670	1		Rectifier Ass'y
15	MA-A529X07871	1		Nut Set



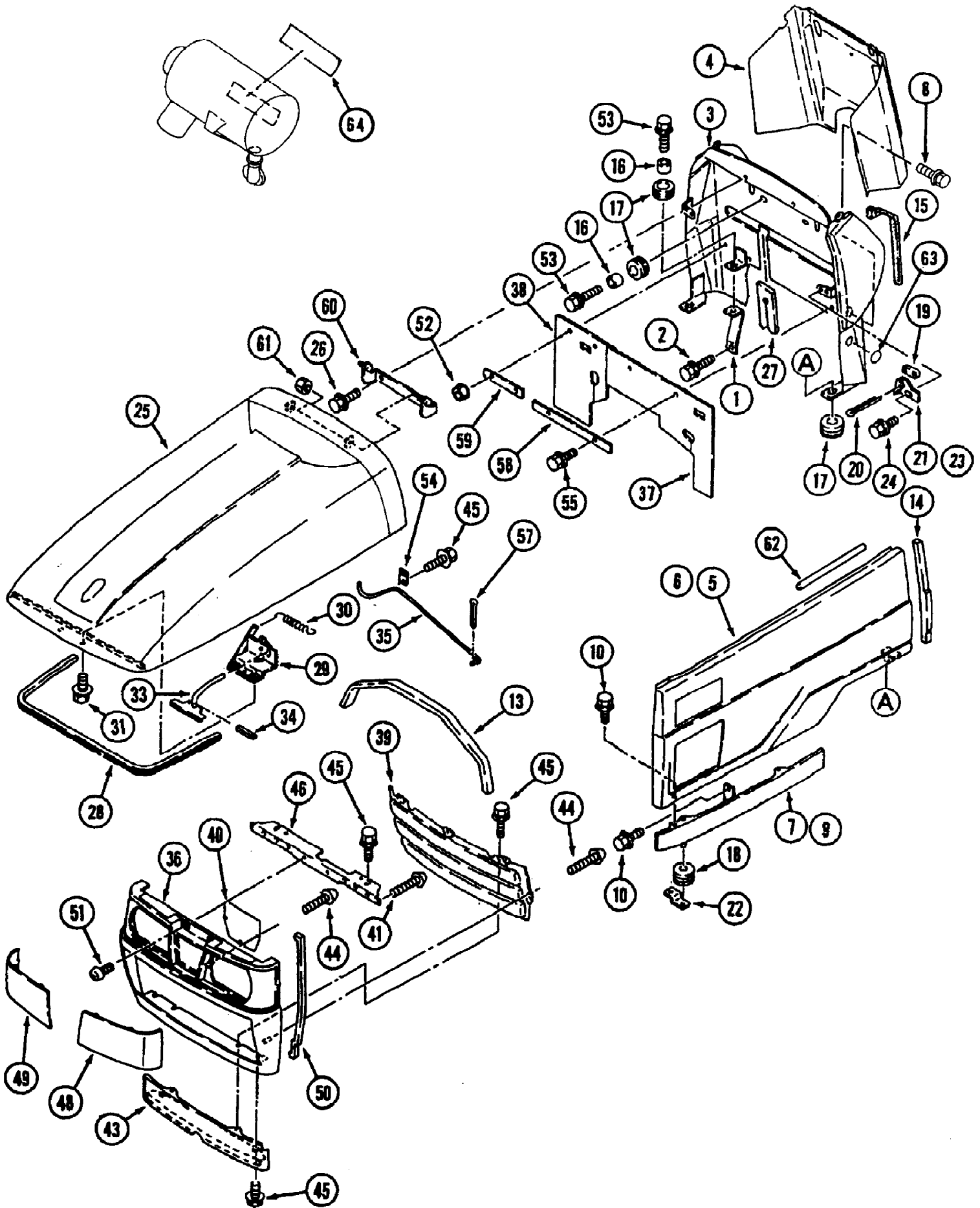
7265 Tractor
Auxiliary Valve Kit

Page 10 of 229

Ref #	Part Number	Qty	S/P/F	Description
1	MA-19642481000	1		Spacer
2	MA-08301100120	3	/P	O-Ring
	MA-19632482AG0	1		Aux.Valve Ass'y. Includes Items 4 - 9
4		1		Body
5	MA-08300100120	3	S	O-Ring
6	MA-08300100160	1	/P	O-Ring
7	MA-05200125016	3	S	Pin,Split
8	MA-03500130815	3		Washer
9	MA-11556501270	3		Pin,Clevis
10	MA-19642483000	1		Arm
11	MA-06313117170	2		Elbow 90
12	MA-08300100140	2		O-Ring
14	MA-A0540108140	3		Bolt
15	MA-A3600100802	3		Washer
16	MA-19642484AG0	1		Bracket
17	MA-03500161032	1		Washer
18	MA-F1550110055	2		Bolt
20	MA-19642485AG0	1		Bracket
21	MA-19642486000	1		Shaft
22	MA-19642487000	1		Arm
23	MA-03500140818	1		Washer
24	MA-A3010108002	2		Nut
25	MA-A0500108012	1		Bolt
27	MA-F1540108020	2		Bolt
	MA-19642488AG0	1		Lever Ass'y. Includes Items 28 & 29
28		1		Lever
29	MA-19632439000	1		Tube
30	MA-11742449000	1		Grip
33	MA-H1540108016	2		Bolt
34	MA-19642492000	1		Hose Ass'y.
35	MA-19642493000	1		Hose Ass'y.
37	MA-19632494000	2		Fitting
38	MA-19632496AG0	1		Bracket
39	727-3093	2	S	Coupling
40	731-3177	2		Plug/A
41	MA-12185264000	2		Clamp, Coupler
42	MA-H1540108020	4		Bolt
43	MA-F3010108001	4		Nut
45	MA-F1540108012	2		Bolt
46	MA-00511070070	1		Band, Wire
47	MA-19632753000	1		Label, Aux. Valve

7265 Tractor
Block Heater (Optional)

Ref #	Part Number	Qty	S/P/F	Description
1		1		Heater, Water (NSS)
2	MA-31A90-03200	1		Cable Ass'y.
3	MA-31A90-03300	1		Connector
4	MA-F3150-01600	1	S	O-Ring
5	MA-MF241252	1		Bolt
6	MA-00511070070	1		Band Wire
7		1		Installation Chart (NSS)
	MA-19670050000	1		Block Heater Kit



7265 Tractor
Bonnet (Hood)

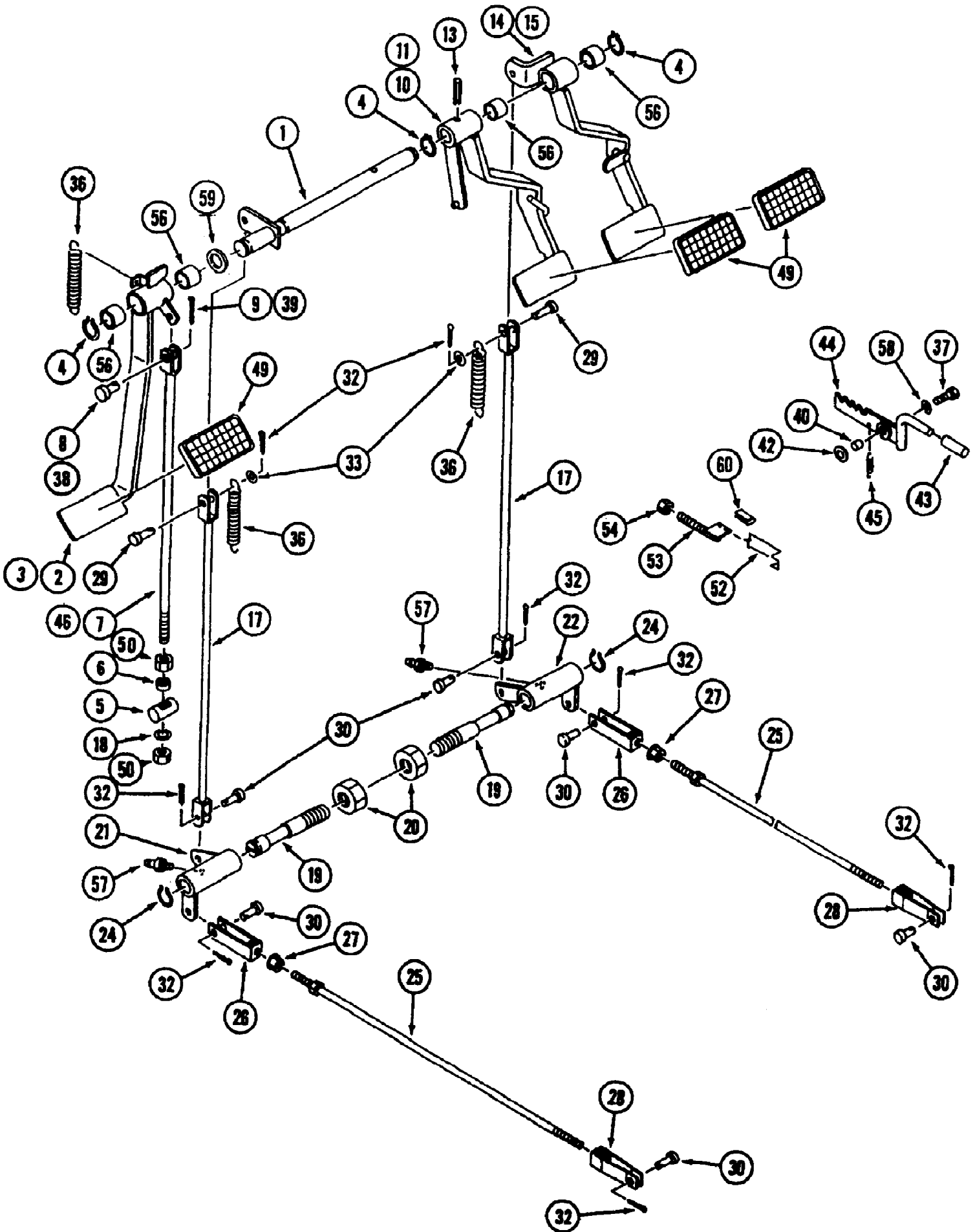
Page 14 of 229

Ref #	Part Number	Qty	S/P/F	Description
1	MA-19642613000	2		Bracket
2	MA-H1540108020	2		Bolt
3	MA-19682615BC0	1	F	Body, Panel
	MA-19682615BC1	1	F	Body, Panel Replaces MA-19682615BC0 when inventory is depleted.
4	MA-19682616001	1		Cover, Panel Rear
5	MA-19682618BC0	1		Cover, Side L.H.
6	MA-19682619BC0	1		Cover, Side R.H.
7	MA-19642621AG0	1		Cover, Side L.H.
8	MA-H1640406016	3		Bolt
9	MA-19642622AG0	1		Cover, Side R.H.
10	MA-H1540108016	6		Bolt
13	MA-10382631000	1		Cushion
14	MA-19632623000	2		Cushion
15	MA-10192598300	2	S	Cushion
16	MA-67700-26000	4		Collar
17	MA-11930439000	6		Grommet
18	MA-11740217001	2		Grommet
19	MA-10322629001	4	/P	Hook
20	MA-05200130032	4		Pin, Split
21	MA-10322631000	2		Bracket A
22	MA-19632621AG0	2		Bracket
23	MA-10322632000	2		Bracket B
24	MA-H1540108016	2		Bolt
25	MA-19682632BC0	1		Hood, Bonnet
26	MA-H1840108020	2		Bolt
27	MA-19632615000	1		Cushion
28	MA-19632634000	1		Cushion
29	MA-19632636000	1		Bracket, Lever
30	MA-19740722000	1		Spring
31	MA-H1540108016	2		Bolt
33	MA-19632637BC0	1		Lever
34	MA-05500003032	1		Pin, Spring
35	MA-19632642000	1		Rod, Stopper
36	MA-19672645000	1		Grille
37	MA-19642612000	1		Cover
38	MA-19642612100	1		Cover
39	MA-19672646AG0	1	/P	Screen
40	MA-19672647AG0	1	/P	Screen
41	MA-10212626000	2		Screw, Tapping
43	MA-19642646AG0	1		Cover, Front
44	MA-04322105010	8		Screw
45	MA-H1440106016	9	/P	Bolt
46	MA-19632651BC0	1	S	Support, Grille
48	MA-19632655000	1		Cover, Lamp L.H.
49	MA-19632656000	1		Cover, Lamp R.H.
50	MA-37357619700	2		Seal, Dust
51	MA-A2520706012	2		Screw
52	MA-F3010108001	2		Nut
53	MA-H1540108025	4		Bolt
54	MA-11910414000	1		Clip
55	MA-H1440106012	2		Bolt

7265 Tractor
Bonnet (Hood)

Page 15 of 229

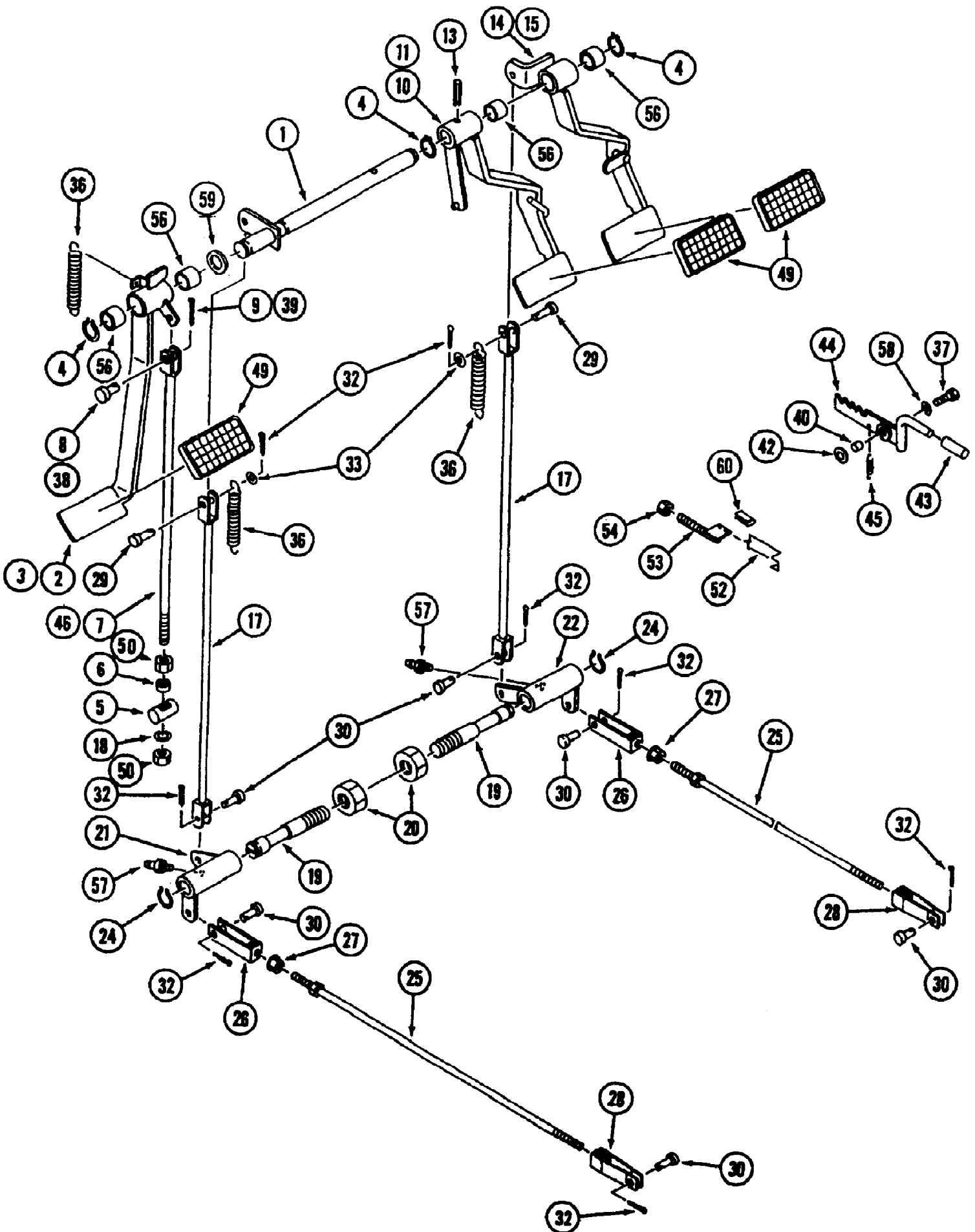
Ref #	Part Number	Qty	S/P/F	Description
57	MA-05200125016	1	S	Pin, Split
58	MA-19632616000	1		Plate
59	MA-19632617000	1		Plate
60	MA-19632641000	1		Bracket, Hood
61	MA-A3810108000	1		Nut
62	MA-MA911822000	2	S	Rubber, Cushion
63	MA-19672621000	2		Mark
64	MA-37364709500	1		Plate



7265 Tractor
C/B Control Gear Drive

Page 17 of 229

Ref #	Part Number	Qty	S/P/F	Description
1	MA-19631805AG0	1		Shaft, Brake
2		1		Pedal, Clutch Not used on this application
3	MA-19631845AG0	1		Pedal, Clutch
4	MA-07400002500	3	/P	Ring
5	MA-19631811000	1		Pin
6	MA-35155086100	1		Collar
7	MA-19641806000	1		Rod, Clutch
8	MA-05621114035	1		Pin, Clevis
9	MA-05200140025	1		Pin, Split
10		1		Pedal, Brake L.H. Not used on this application
11	MA-19641809AG1	1		Pedal, Brake L.H.
13	MA-19631816000	1		Pin, Spring
14		1		Pedal, Brake R.H. Not used on this application
15	MA-19641817AG0	1		Pedal, Brake R.H.
17	MA-19641819000	2		Rod, Brake A
18	MA-A3600101202	1		Washer
19	MA-19631821000	2		Shaft, Link
20	MA-A0730124001	2		Nut
21	MA-19641823AG0	1		Link, Brake L.H.
22	MA-19641824AG0	1		Link, Brake R.H.
24	MA-07400102200	2		Ring
25	MA-19641826000	2		Rod, Brake B
26	MA-10072222000	2		Joint
27	MA-A3030110002	2		Nut
28	MA-10251711000	2		Joint
29	MA-05620108030	2		Pin, Clevis
30	MA-05620108025	6		Pin, Clevis
32	MA-05200125020	8		Pin, Split
33	MA-03500130815	2		Washer
36	MA-27141917000	3		Spring
37	MA-F1540108025	1		Bolt
38		1		Pin, Clevis Not used on this application
39		1		Pin, Split Not used on this application
40	MA-67700-26000	1		Collar
42	MA-07310101204	AR		Liner t=0.4
43	MA-14212284000	1		Grip
44	MA-19631839AG1	1		Lever, Parking
45	MA-11352230000	1		Spring
46		1		Rod, Clutch Not used on this application
49	MA-11931812000	3		Cover, Pedal
50	MA-A3030112002	2		Nut
52	MA-19631843001	1		Hook, Clutch Pedal
53	MA-19641842001	1		Bolt, Stopper
54	MA-A3030110002	1		Nut
56	MA-07961025200	4		Bushing
57	MA-A6513100300	2	S	Nipple, Grease
58	MA-03500160826	1		Washer
59	MA-07310102510	AR	/P	Liner
60	MA-35011788000	1		Rubber, Edge



7265 Tractor
C/B Control HST

Page 19 of 229

Ref #	Part Number	Qty	S/P/F	Description
1	MA-19631805AG0	1		Shaft, Brake
2	MA-19631807AG1	1		Pedal, Clutch
3		1		Pedal, Clutch Not used on this application
4	MA-07400002500	3	/P	Ring
5	MA-19631811000	1		Pin
6	MA-35155086100	1		Collar
7		1		Rod, Clutch Not used on this application
8		1		Pin, Clevis Not used on this application
9		1		Pin, Split Not used on this application
10	MA-19631815AG1	1		Pedal, Brake L.H.
11		1		Pedal, Brake L.H. Not used on this application
13	MA-19631816000	1		Pin, Spring
14	MA-19631817AG0	1		Pedal, Brake R.H.
15		1		Pedal, Brake R.H. Not used on this application
17	MA-19641819000	2		Rod, Brake A
18	MA-A3600101202	1		Washer
19	MA-19631821000	2		Shaft, Link
20	MA-A0730124001	2		Nut
21	MA-19641823AG0	1		Link, Brake L.H.
22	MA-19641824AG0	1		Link, Brake R.H.
24	MA-07400102200	2		Ring
25	MA-19641826000	2		Rod, Brake B
26	MA-10072222000	2		Joint
27	MA-A3030110002	2		Nut
28	MA-10251711000	2		Joint
29	MA-05620108030	2		Pin, Clevis
30	MA-05620108025	6		Pin, Clevis
32	MA-05200125020	8		Pin, Split
33	MA-03500130815	2		Washer
36	MA-27141917000	3		Spring
37	MA-F1540108025	1		Bolt
38	MA-05621110030	1		Pin,Clevis
39	MA-05200130020	1		Pin,Split
40	MA-67700-26000	1		Collar
42	MA-07310101204	AR		Liner t=0.4
43	MA-14212284000	1		Grip
44	MA-19631839AG1	1		Lever, Parking
45	MA-11352230000	1		Spring
46	MA-19641845000	1		Rod, Clutch
49	MA-11931812000	3		Cover, Pedal
50	MA-A3030112002	2		Nut
52	MA-19631843001	1		Hook, Clutch Pedal
53	MA-19641842001	1		Bolt, Stopper
54	MA-A3030110002	1		Nut
56	MA-07961025200	4		Bushing
57	MA-A6513100300	2	S	Nipple, Grease
58	MA-03500160826	1		Washer
59	MA-07310102510	AR	/P	Liner
60	MA-35011788000	1		Rubber, Edge

