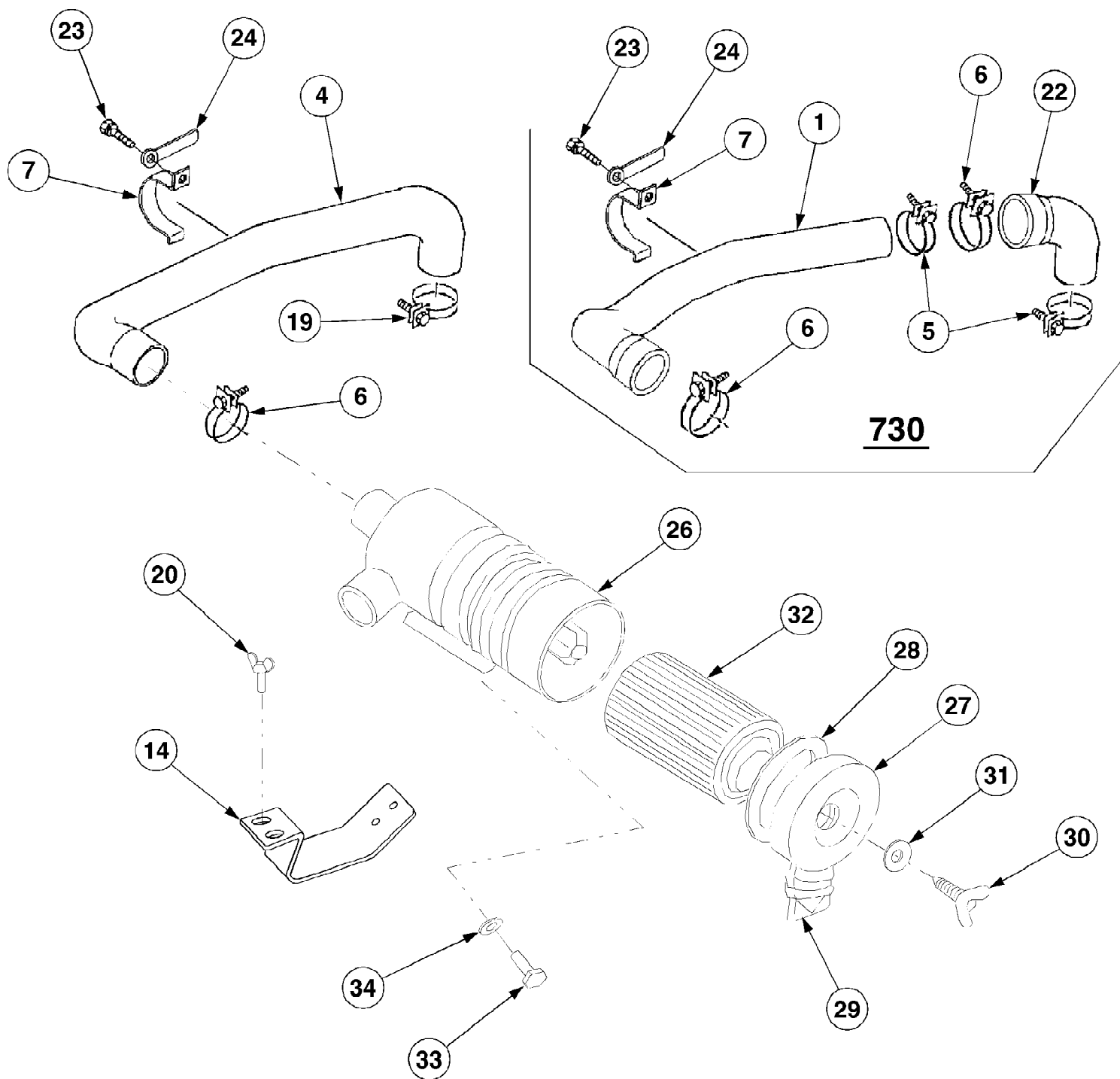


7260 Tractor  
3 Point Linkage

Page 2 of 229

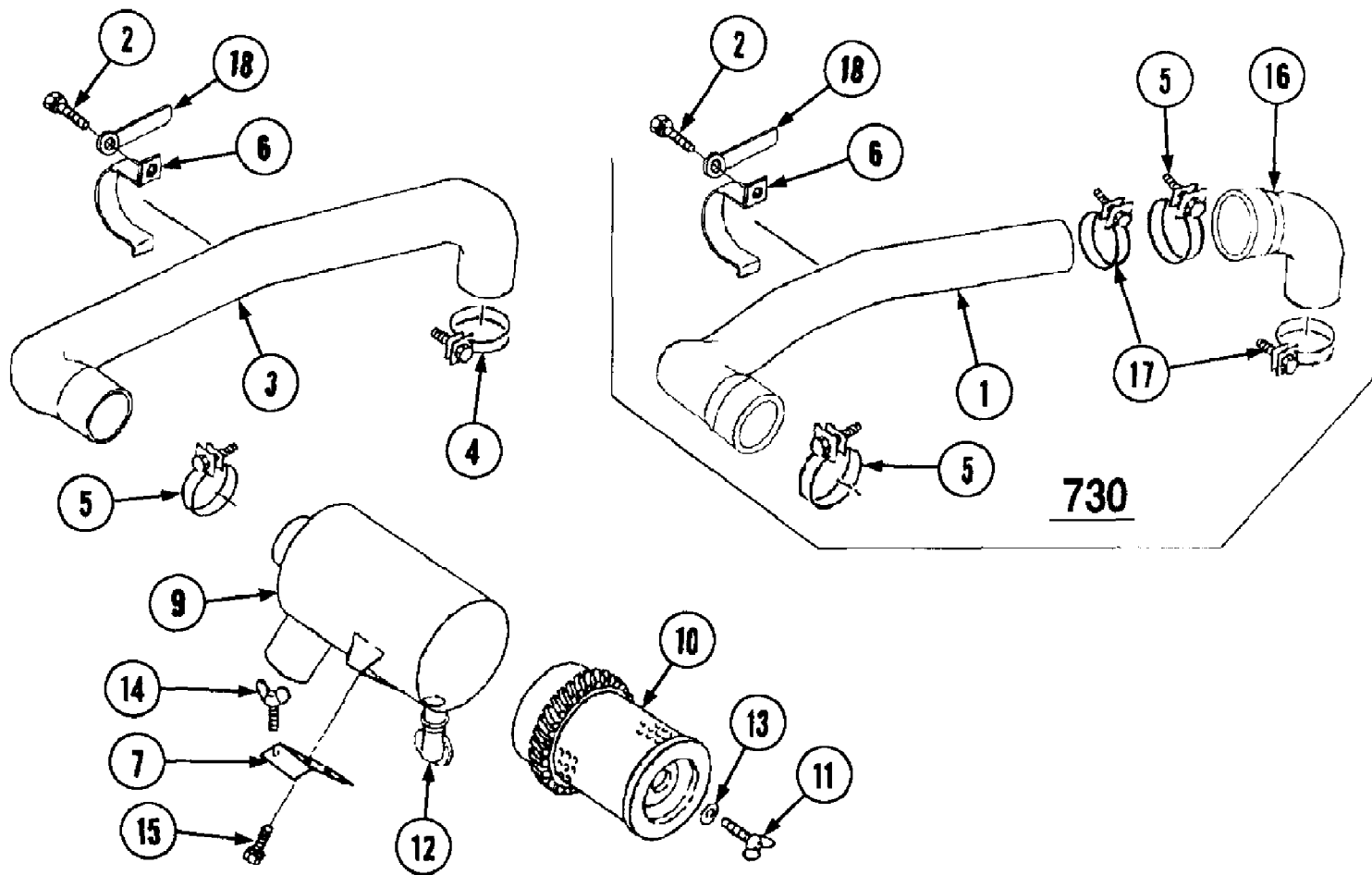
Ref #	Part Number	Qty	S/P/F	Description
1	MA-19643013AG0	1	/P	Bracket L.H.
2	MA-19643015AG0	1	/P	Bracket R.H.
3	MA-19643001AG0	1		Bracket L.H.
3A	MA-19643002AG0	1		Bracket R.H.
4	MA-A0400114035	12		Bolt
5	MA-A3600101402	12		Washer
6	MA-19643006AG0	2		Link, Lower
	MA-19643005AG0	1		3P Sub Ass'y. Includes Items 6 - 42
7	MA-19643007AG0	1	/P	Rod, Lift L.H.
	MA-19643011AG0	1	/P	Rod, Lift R.H.Ass'y. Includes Items 9 - 12
9	MA-19633012AG0	1	/P	Rod A
10	MA-10323025AG0	1	/P	Lift Rod Middle
11	MA-19643014AG0	1	/P	Rod B
12	MA-10323024000	1	S	Nut, Lock
	MA-19643016001	2		Check Chain Ass'y. Includes Items 14 - 17
14	MA-19643017000	2		Chain A
15	MA-19643018000	2		Chain B
16	MA-10323027001	2		Turn Buckle
17	MA-A3000114002	2		Nut
20	MA-19643019AG0	2		Washer, Check Chain
21	MA-A3600101802	2	/P	Washer
22	MA-A3030118001	2		Nut
23	MA-19633021000	2		Pin, Clevis
24	MA-05200130020	2		Pin, Split
26	MA-10323018001	2	/P	Pin
27	MA-10323019000	2		Pin Snap
28	MA-19633024000	1		Band
29	MA-10323012000	6		Pin, Linch
30	MA-10323016000	2		Washer
	MA-19643036AG0	1		Top Link Ass'y. Includes Items 32 - 35
32	MA-19643037AG0	1	/P	Turn Buckle
33	MA-19643038AG0	1	/P	Adjuster
34	MA-19643039000	1		Nut-Lock
35	MA-19643041AG0	1	/P	Adjuster
38	MA-19633037000	1		Pin, Upper Link
39	MA-10323012000	1		Linch Pin
41	MA-19633038000	1		Pin
42	MA-19633041000	1		Pin, Snap
44	MA-19633031000	1		Hook, Top Link
45	MA-19633034AG0	1	S	Cover, PTO
46	MA-F1540112025	2		Bolt



7260 Tractor  
Air Cleaner SN 22869 & above

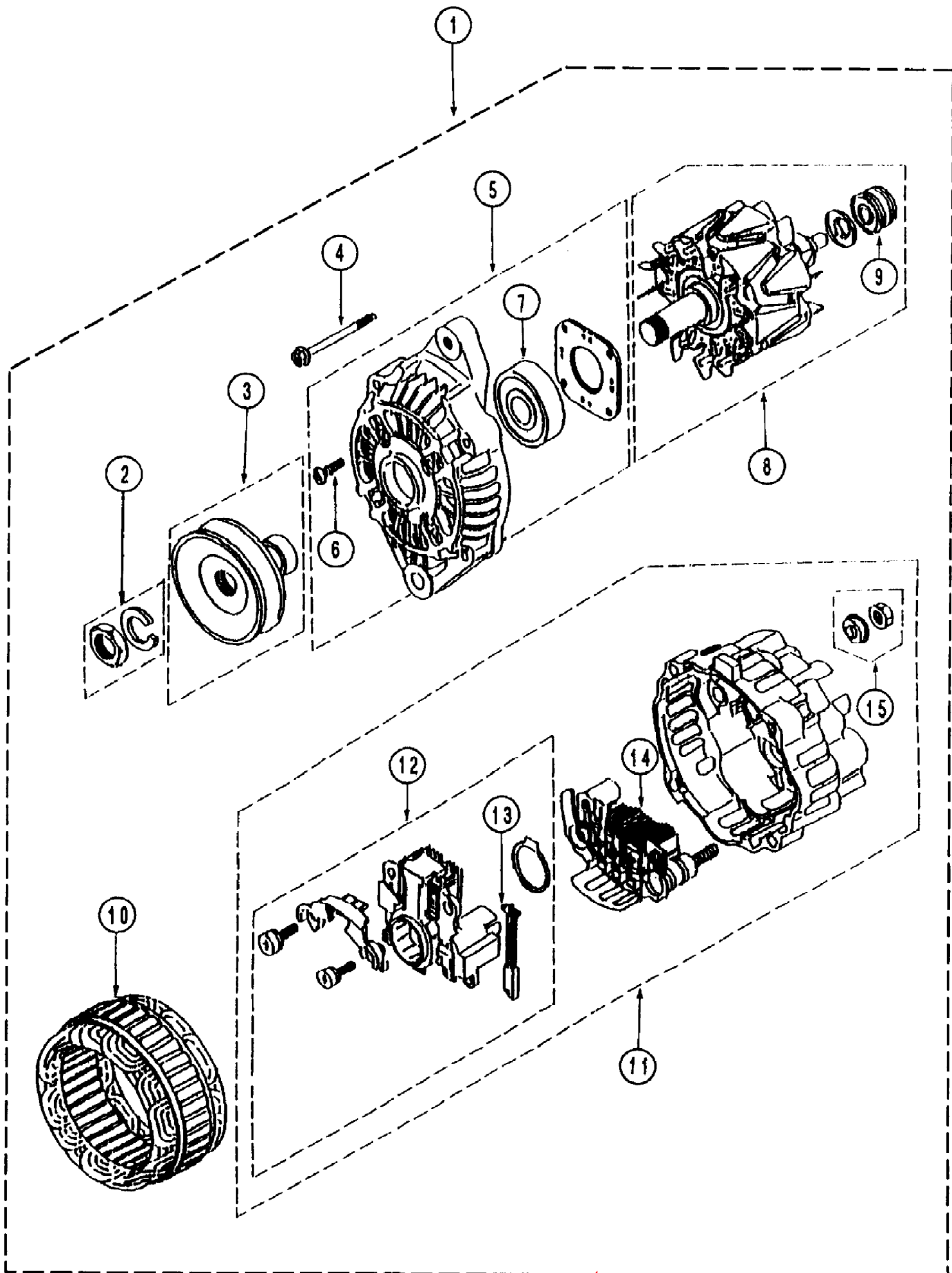
Ref #	Part Number	Qty	S/P/F	Description
	MA-19680511000	1		Air Cleaner Assembly. (items 26-32) Refer to Service Advisory CCT-020.
1	MA-19680517000	1		Hose, Air A
4	MA-19640513000	1		Hose, Air
5	MA-00501100530	1		Clamp, Hose
6	MA-00501100630	1		Clamp, Hose
7	MA-19630513000	1		Clamp
14	MA-19680513AG0	1		Plate
19	MA-00501100560	1		Clamp, Hose
20	MA-14141454000	1		Bolt, Wing
22	MA-19680518000	1		Hose, Air B
23	MA-H1540108020	1		Bolt
24	MA-00502108083	1		Clamp
26		1		Case Ass'y. (order assembly)
27	MA-35530501300	1		Cap
28	MA-35530501400	1		Gasket
29	MA-35460501400	1		Valve, Unloader
30	MA-35530501600	1		Bolt, Wing
31	MA-35460501600	1		Washer, Seal
32	MA-35530501800	1		Element use with MA-19680511000
33	MA-F1540108012	2		Bolt
34	MA-03500150822	2		Washer

7260 Tractor  
Air Cleaner SN 22869 & below



7260 Tractor  
Air Cleaner SN 22869 & below

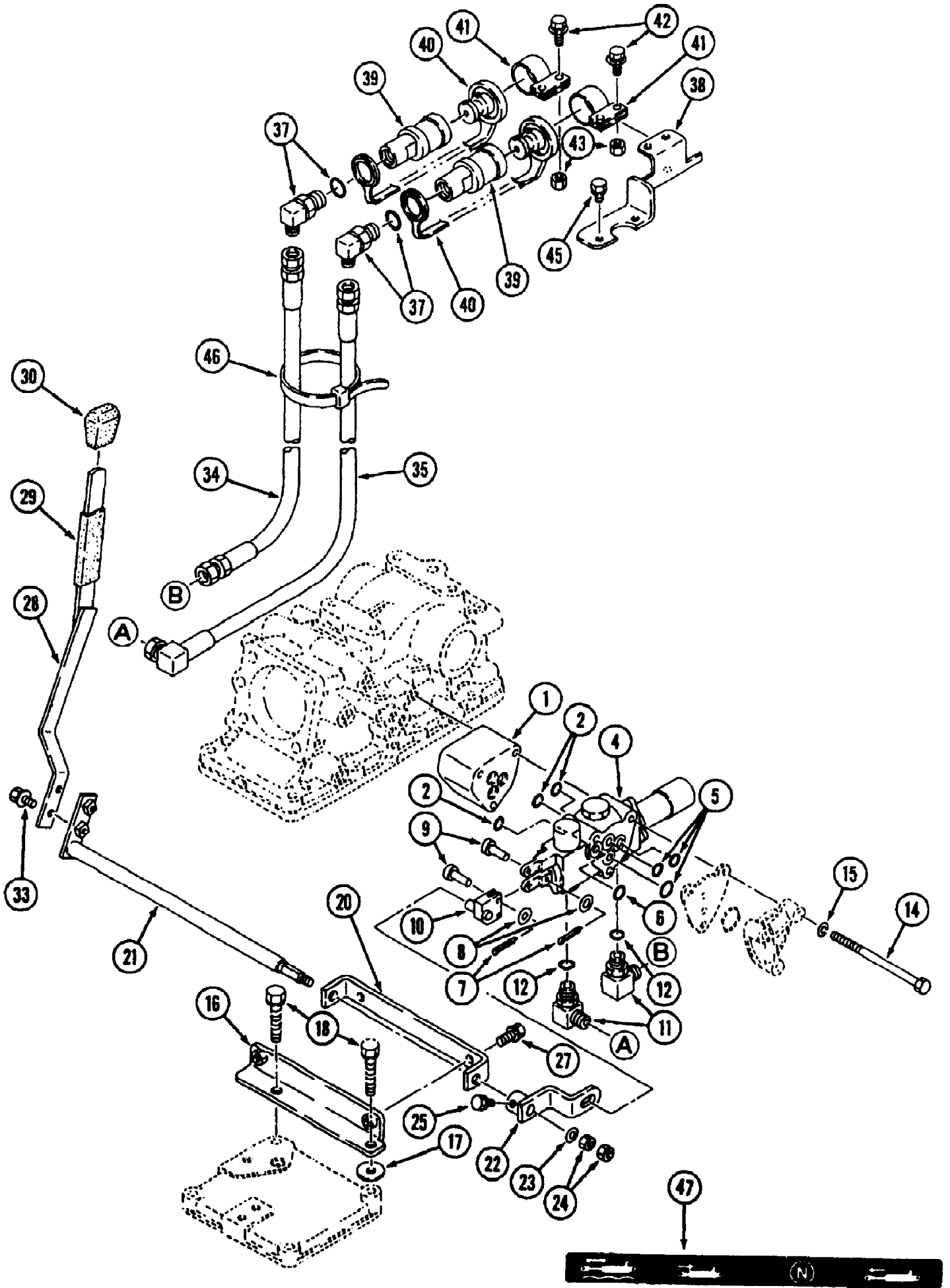
Ref #	Part Number	Qty	S/P/F	Description
1		1		Hose, Air A Not used on this product; 7300 S/N 21933 & Higher, 7305 S/N 23070 & Higher. Hoses MA-19680517000 and MA-19680518000 replace hose MA-19640513000 on lower Serial No. 730 Series tractors. Also order Hose Clamps MA-00501100530 (Qty. 2) and MA-05001100630 (Qty. 1).
2	MA-F1540108020	1	F	Bolt
	MA-H1540108020	1	F	Bolt
3	MA-19640513000	1		Hose, Air
4	MA-00501100560	1		Clamp, Hose
5	MA-00501100630	1		Clamp, Hose
6	MA-19630513000	1		Clamp
7	MA-19640514AG0	1		Plate
	MA-19640511000	1		Air Cleaner Ass'y. Includes items 9-13
9	MA-19640511100	1		Case Ass'y.
10	MA-10310511200	1		Element
11	MA-37000306000	1		Bolt Ass'y. Wing
12	MA-10300511300	1		Valve
13	MA-37000308000	1		Washer, Seal
14	MA-14141454000	1		Bolt, Wing
15	MA-F1540108016	2		Bolt
16		1		Hose, Air B Not used on this product; 7300 S/N 21933 & Higher, 7305 S/N 23070 & Higher. Hoses MA-19680517000 and MA-19680518000 replace hose MA-19640513000 on lower Serial No. 730 Series tractors. Also order Hose Clamps MA-00501100530 (Qty. 2) and MA-05001100630 (Qty. 1).
17		1		Clamp, Hose Not used on this product; 7300 S/N 21933 & Higher, 7305 S/N 23070 & Higher. Hoses MA-19680517000 and MA-19680518000 replace hose MA-19640513000 on lower Serial No. 730 Series tractors. Also order Hose Clamps MA-00501100530 (Qty. 2) and MA-05001100630 (Qty. 1).
18	MA-00502108083	1	F	Clamp



7260 Tractor  
 Alternator 26 HP Engine

Ref #	Part Number	Qty	S/P/F	Description
1	MA-31A68-00401	1	S	Alternator Ass'y
2	MA-A981X20771	1		Nut Set
3	MA-A628T62170	1		Puller Ass'y
4	MA-A414X19271	1		Bolt Set
5	MA-A640T52770	1		Bracket Ass'y, Front
6	MA-A414X21271	1		Screw Set
7	MA-S930P18870	1		Bearing, Front
8	MA-A880T65470	1		Rotor Ass'y
9	MA-S930P63670	1		Bearing, Rear
10	MA-A383T46370	1		Stator Ass'y
11	MA-A642X25570	1		Bracket Ass'y, Rear
12	MA-A866X28472	1		Regulator Set
13	MA-A647X50170	2	/P	Brush Set
14	MA-A860T40670	1		Rectifier Ass'y
15	MA-A529X07871	1		Nut Set

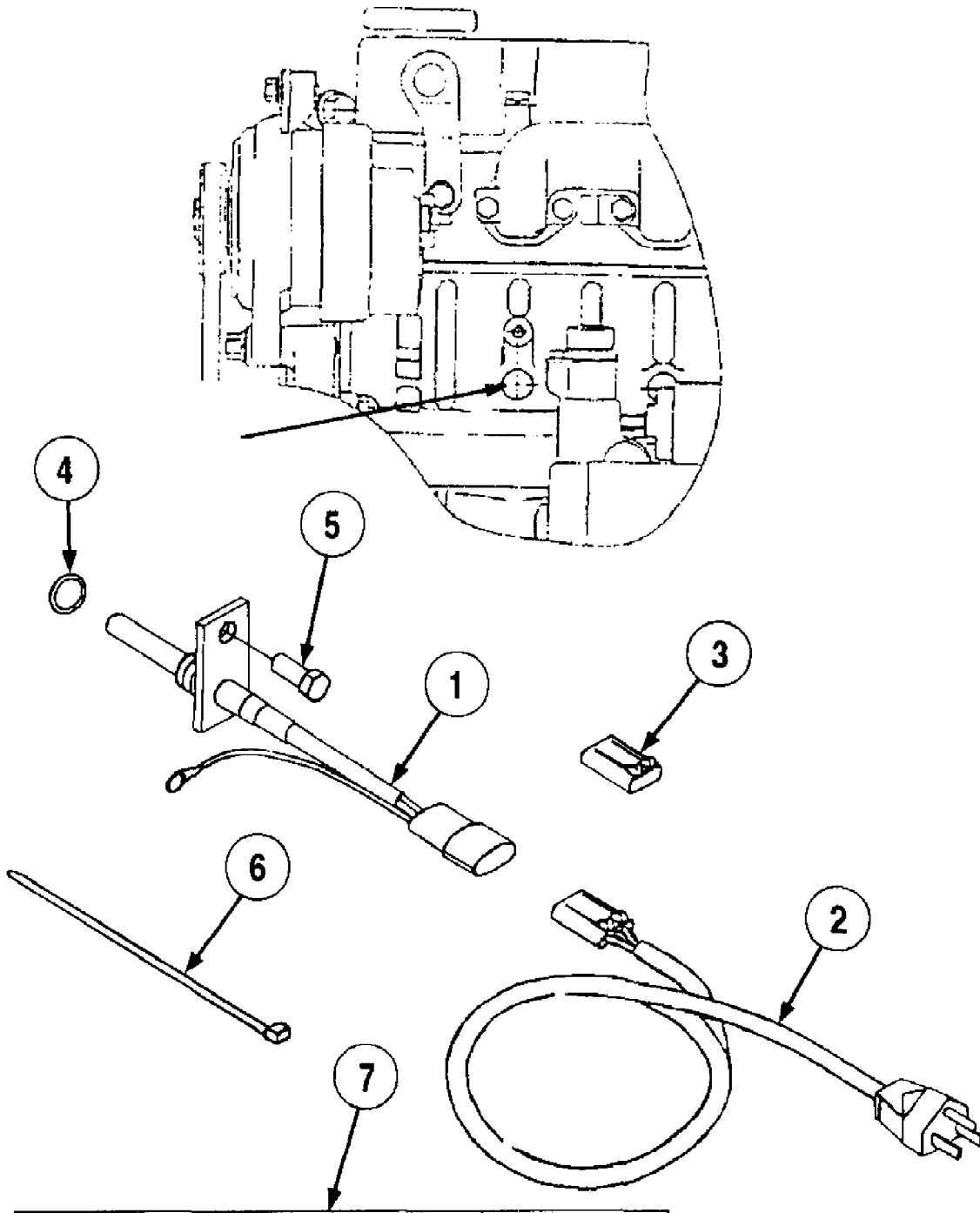




7260 Tractor  
Auxiliary Valve Kit

Page 10 of 229

Ref #	Part Number	Qty	S/P/F	Description
1	MA-19642481000	1		Spacer
2	MA-08301100120	3	/P	O-Ring
	MA-19632482AG0	1		Aux.Valve Ass'y. Includes Items 4 - 9
4		1		Body
5	MA-08300100120	3	S	O-Ring
6	MA-08300100160	1	/P	O-Ring
7	MA-05200125016	3	S	Pin,Split
8	MA-03500130815	3		Washer
9	MA-11556501270	3		Pin,Clevis
10	MA-19642483000	1		Arm
11	MA-06313117170	2		Elbow 90
12	MA-08300100140	2		O-Ring
14	MA-A0540108140	3		Bolt
15	MA-A3600100802	3		Washer
16	MA-19642484AG0	1		Bracket
17	MA-03500161032	1		Washer
18	MA-F1550110055	2		Bolt
20	MA-19642485AG0	1		Bracket
21	MA-19642486000	1		Shaft
22	MA-19642487000	1		Arm
23	MA-03500140818	1		Washer
24	MA-A3010108002	2		Nut
25	MA-A0500108012	1		Bolt
27	MA-F1540108020	2		Bolt
	MA-19642488AG0	1		Lever Ass'y. Includes Items 28 & 29
28		1		Lever
29	MA-19632439000	1		Tube
30	MA-11742449000	1		Grip
33	MA-H1540108016	2		Bolt
34	MA-19642492000	1		Hose Ass'y.
35	MA-19642493000	1		Hose Ass'y.
37	MA-19632494000	2		Fitting
38	MA-19632496AG0	1		Bracket
39	727-3093	2	S	Coupling
40	731-3177	2		Plug/A
41	MA-12185264000	2		Clamp, Coupler
42	MA-H1540108020	4		Bolt
43	MA-F3010108001	4		Nut
45	MA-F1540108012	2		Bolt
46	MA-00511070070	1		Band, Wire
47	MA-19632753000	1		Label, Aux. Valve



**BLOCK HEATER INSTALLATION**

**WARNING:** This is a hot surface. Do not touch. Do not use a cloth or paper to touch. Do not use a cloth or paper to touch. Do not use a cloth or paper to touch.

**INSTALLATION:**

1. Remove the cover of the block heater.
2. Connect the power cord to the engine block.
3. Connect the power cord to the engine block.
4. Connect the power cord to the engine block.
5. Connect the power cord to the engine block.
6. Connect the power cord to the engine block.
7. Connect the power cord to the engine block.

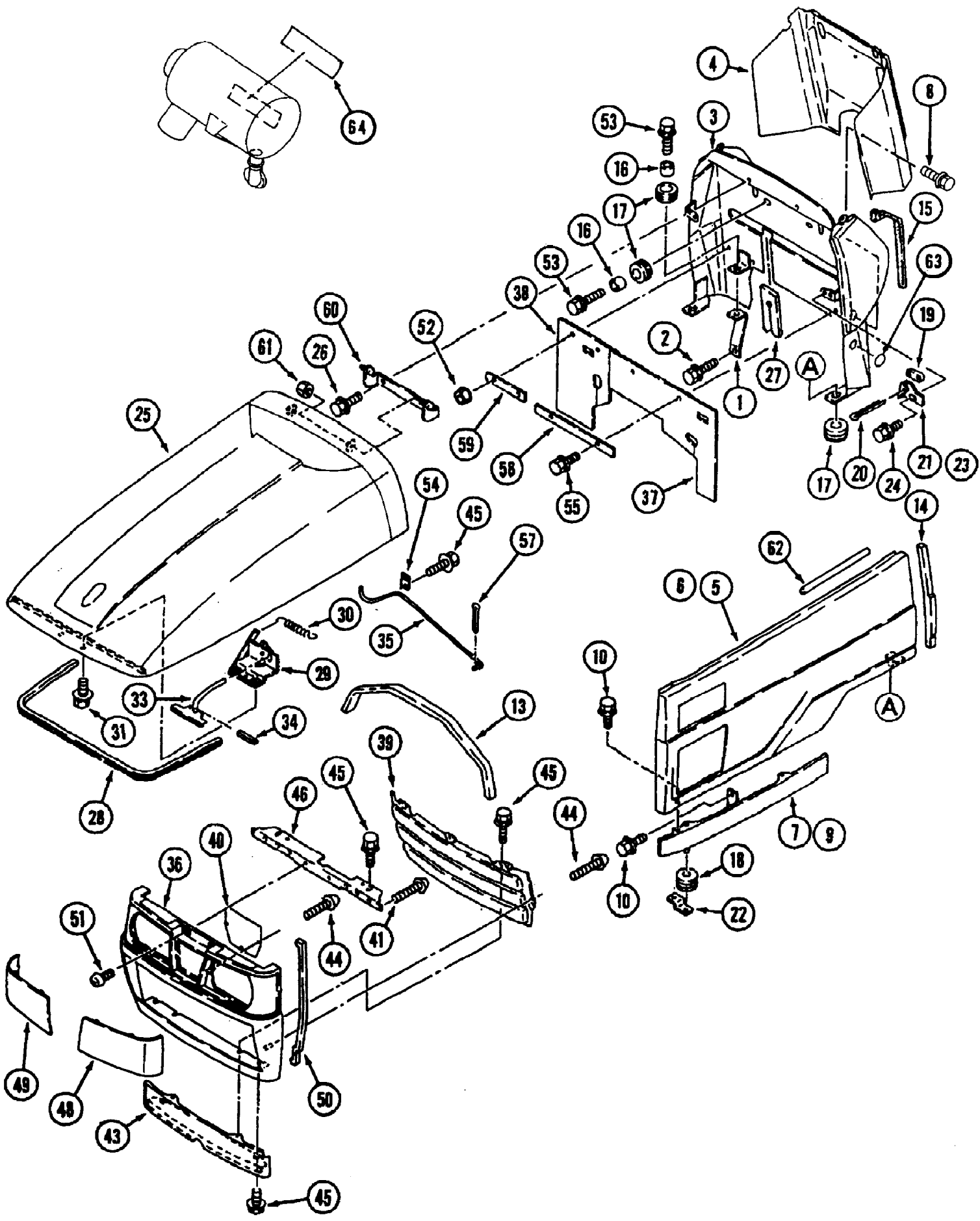
**NOTES:**

1. The block heater is designed for use on engines with a cooling system.
2. The block heater is not intended for use on engines without a cooling system.
3. The block heater is not intended for use on engines with a cooling system that is not properly maintained.
4. The block heater is not intended for use on engines with a cooling system that is not properly maintained.
5. The block heater is not intended for use on engines with a cooling system that is not properly maintained.
6. The block heater is not intended for use on engines with a cooling system that is not properly maintained.
7. The block heater is not intended for use on engines with a cooling system that is not properly maintained.

Part No.	Description	Quantity
1	Block Heater Assembly	1
2	Power Cord	1
3	Fuse	1
4	Washer	1
5	Bolt	1
6	Screw	1
7	Gasket	1

7260 Tractor  
Block Heater (Optional)

Ref #	Part Number	Qty	S/P/F	Description
1		1		Heater, Water (NSS)
2	MA-31A90-03200	1		Cable Ass'y.
3	MA-31A90-03300	1		Connector
4	MA-F3150-01600	1	S	O-Ring
5	MA-MF241252	1		Bolt
6	MA-00511070070	1		Band Wire
7		1		Installation Chart (NSS)
	MA-19670050000	1		Block Heater Kit



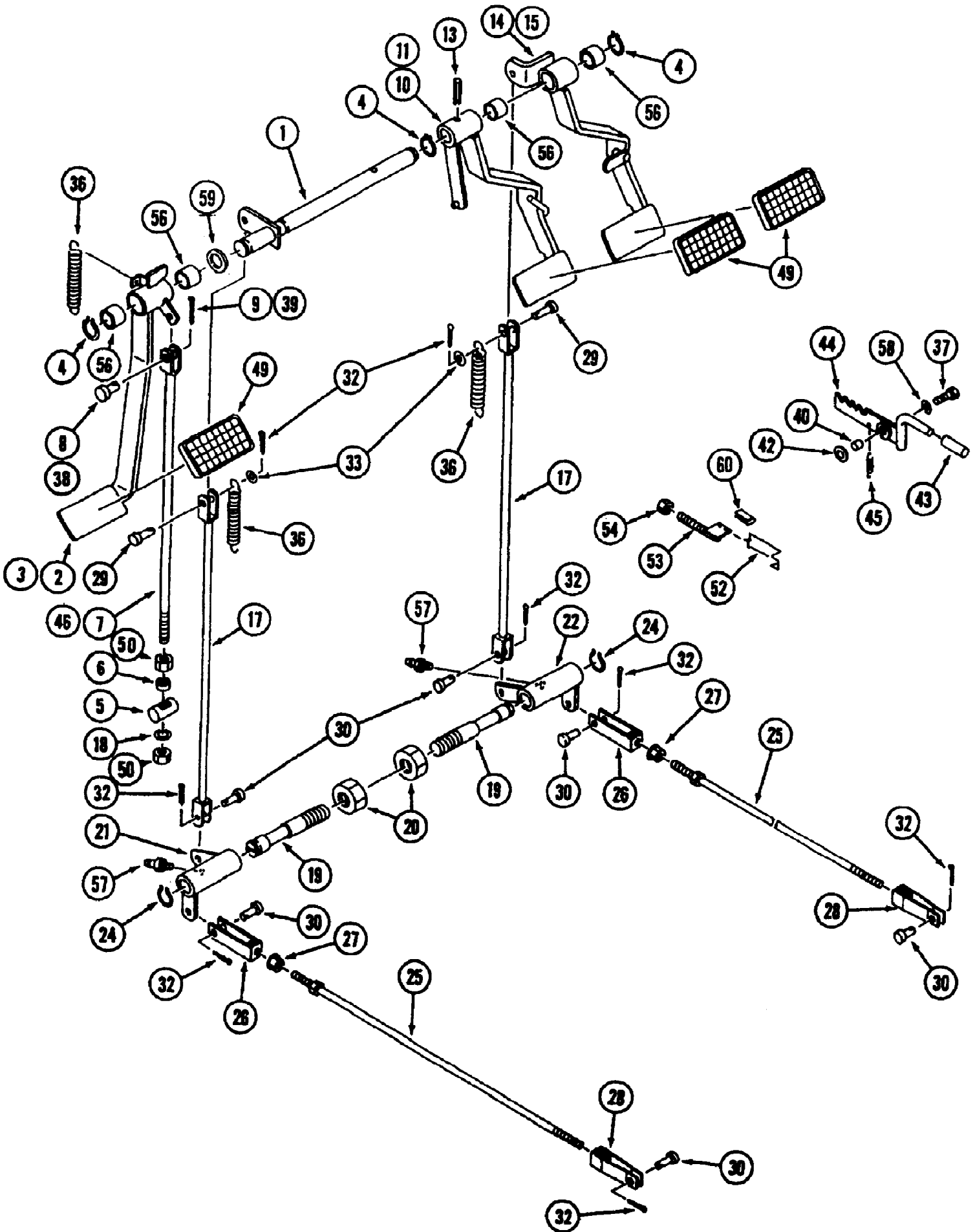
7260 Tractor  
Bonnet (Hood)

Page 14 of 229

Ref #	Part Number	Qty	S/P/F	Description
1	MA-19642613000	2		Bracket
2	MA-H1540108020	2		Bolt
3	MA-19682615BC0	1	F	Body, Panel
	MA-19682615BC1	1	F	Body, Panel Replaces MA-19682615BC0 when inventory is depleted.
4	MA-19682616001	1		Cover, Panel Rear
5	MA-19682618BC0	1		Cover, Side L.H.
6	MA-19682619BC0	1		Cover, Side R.H.
7	MA-19642621AG0	1		Cover, Side L.H.
8	MA-H1640406016	3		Bolt
9	MA-19642622AG0	1		Cover, Side R.H.
10	MA-H1540108016	6		Bolt
13	MA-10382631000	1		Cushion
14	MA-19632623000	2		Cushion
15	MA-10192598300	2	S	Cushion
16	MA-67700-26000	4		Collar
17	MA-11930439000	6		Grommet
18	MA-11740217001	2		Grommet
19	MA-10322629001	4	/P	Hook
20	MA-05200130032	4		Pin, Split
21	MA-10322631000	2		Bracket A
22	MA-19632621AG0	2		Bracket
23	MA-10322632000	2		Bracket B
24	MA-H1540108016	2		Bolt
25	MA-19682632BC0	1		Hood, Bonnet
26	MA-H1840108020	2		Bolt
27	MA-19632615000	1		Cushion
28	MA-19632634000	1		Cushion
29	MA-19632636000	1		Bracket, Lever
30	MA-19740722000	1		Spring
31	MA-H1540108016	2		Bolt
33	MA-19632637BC0	1		Lever
34	MA-05500003032	1		Pin, Spring
35	MA-19632642000	1		Rod, Stopper
36	MA-19672645000	1		Grille
37	MA-19642612000	1		Cover
38	MA-19642612100	1		Cover
39	MA-19672646AG0	1	/P	Screen
40	MA-19672647AG0	1	/P	Screen
41	MA-10212626000	2		Screw, Tapping
43	MA-19642646AG0	1		Cover, Front
44	MA-04322105010	8		Screw
45	MA-H1440106016	9	/P	Bolt
46	MA-19632651BC0	1	S	Support, Grille
48	MA-19632655000	1		Cover, Lamp L.H.
49	MA-19632656000	1		Cover, Lamp R.H.
50	MA-37357619700	2		Seal, Dust
51	MA-A2520706012	2		Screw
52	MA-F3010108001	2		Nut
53	MA-H1540108025	4		Bolt
54	MA-11910414000	1		Clip
55	MA-H1440106012	2		Bolt

7260 Tractor  
Bonnet (Hood)

Ref #	Part Number	Qty	S/P/F	Description
57	MA-05200125016	1	S	Pin, Split
58	MA-19632616000	1		Plate
59	MA-19632617000	1		Plate
60	MA-19632641000	1		Bracket, Hood
61	MA-A3810108000	1		Nut
62	MA-MA911822000	2	S	Rubber, Cushion
63	MA-19672621000	2		Mark
64	MA-37364709500	1		Plate

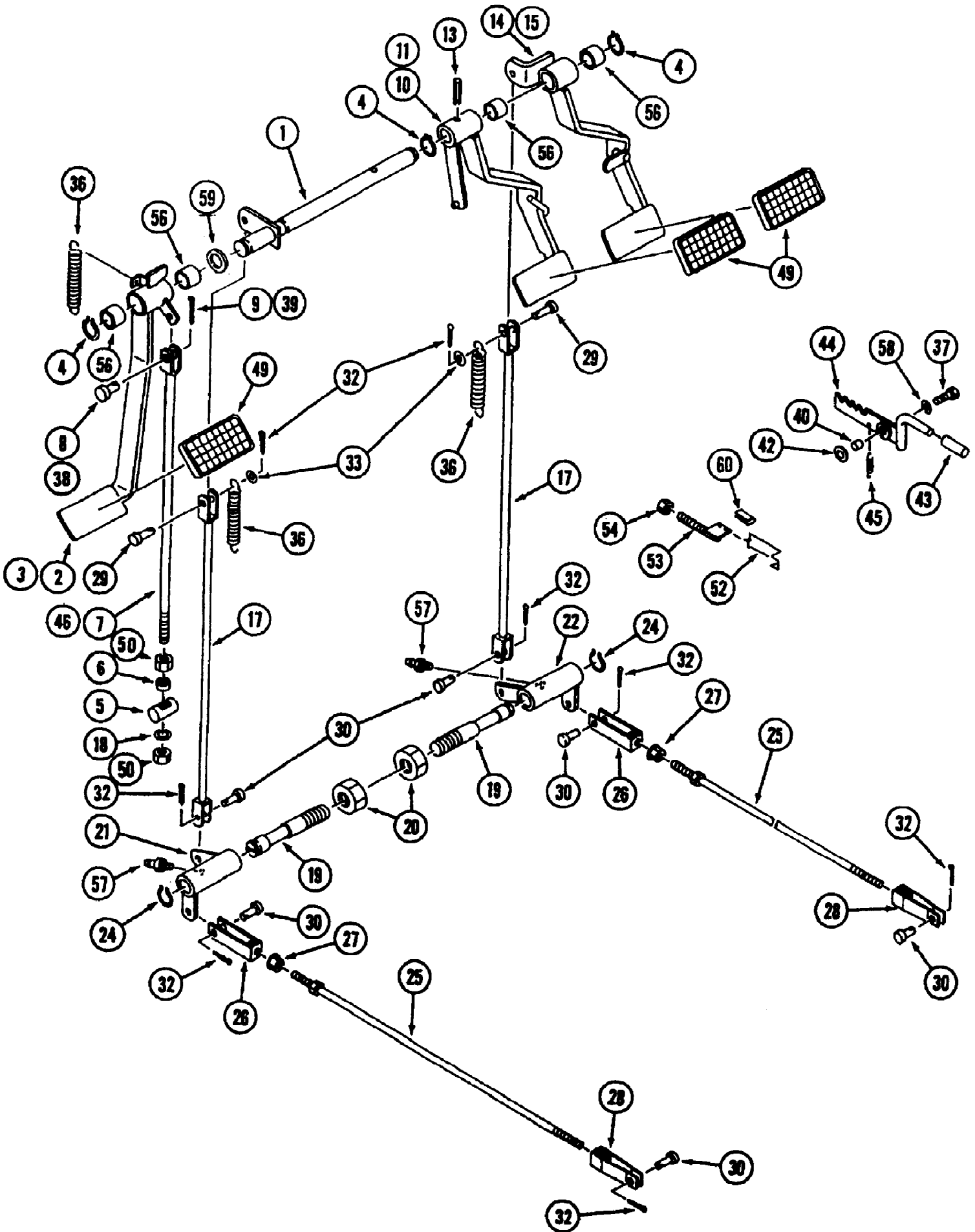




7260 Tractor  
C/B Control Gear Drive

Page 17 of 229

Ref #	Part Number	Qty	S/P/F	Description
1	MA-19631805AG0	1		Shaft, Brake
2		1		Pedal, Clutch Not used on this application
3	MA-19631845AG0	1		Pedal, Clutch
4	MA-07400002500	3	/P	Ring
5	MA-19631811000	1		Pin
6	MA-35155086100	1		Collar
7	MA-19641806000	1		Rod, Clutch
8	MA-05621114035	1		Pin, Clevis
9	MA-05200140025	1		Pin, Split
10		1		Pedal, Brake L.H. Not used on this application
11	MA-19641809AG1	1		Pedal, Brake L.H.
13	MA-19631816000	1		Pin, Spring
14		1		Pedal, Brake R.H. Not used on this application
15	MA-19641817AG0	1		Pedal, Brake R.H.
17	MA-19641819000	2		Rod, Brake A
18	MA-A3600101202	1		Washer
19	MA-19631821000	2		Shaft, Link
20	MA-A0730124001	2		Nut
21	MA-19641823AG0	1		Link, Brake L.H.
22	MA-19641824AG0	1		Link, Brake R.H.
24	MA-07400102200	2		Ring
25	MA-19641826000	2		Rod, Brake B
26	MA-10072222000	2		Joint
27	MA-A3030110002	2		Nut
28	MA-10251711000	2		Joint
29	MA-05620108030	2		Pin, Clevis
30	MA-05620108025	6		Pin, Clevis
32	MA-05200125020	8		Pin, Split
33	MA-03500130815	2		Washer
36	MA-27141917000	3		Spring
37	MA-F1540108025	1		Bolt
38		1		Pin, Clevis Not used on this application
39		1		Pin, Split Not used on this application
40	MA-67700-26000	1		Collar
42	MA-07310101204	AR		Liner t=0.4
43	MA-14212284000	1		Grip
44	MA-19631839AG1	1		Lever, Parking
45	MA-11352230000	1		Spring
46		1		Rod, Clutch Not used on this application
49	MA-11931812000	3		Cover, Pedal
50	MA-A3030112002	2		Nut
52	MA-19631843001	1		Hook, Clutch Pedal
53	MA-19641842001	1		Bolt, Stopper
54	MA-A3030110002	1		Nut
56	MA-07961025200	4		Bushing
57	MA-A6513100300	2	S	Nipple, Grease
58	MA-03500160826	1		Washer
59	MA-07310102510	AR	/P	Liner
60	MA-35011788000	1		Rubber, Edge



7260 Tractor  
C/B Control HST

Page 19 of 229

Ref #	Part Number	Qty	S/P/F	Description
1	MA-19631805AG0	1		Shaft, Brake
2	MA-19631807AG1	1		Pedal, Clutch
3		1		Pedal, Clutch Not used on this application
4	MA-07400002500	3	/P	Ring
5	MA-19631811000	1		Pin
6	MA-35155086100	1		Collar
7		1		Rod, Clutch Not used on this application
8		1		Pin, Clevis Not used on this application
9		1		Pin, Split Not used on this application
10	MA-19631815AG1	1		Pedal, Brake L.H.
11		1		Pedal, Brake L.H. Not used on this application
13	MA-19631816000	1		Pin, Spring
14	MA-19631817AG0	1		Pedal, Brake R.H.
15		1		Pedal, Brake R.H. Not used on this application
17	MA-19641819000	2		Rod, Brake A
18	MA-A3600101202	1		Washer
19	MA-19631821000	2		Shaft, Link
20	MA-A0730124001	2		Nut
21	MA-19641823AG0	1		Link, Brake L.H.
22	MA-19641824AG0	1		Link, Brake R.H.
24	MA-07400102200	2		Ring
25	MA-19641826000	2		Rod, Brake B
26	MA-10072222000	2		Joint
27	MA-A3030110002	2		Nut
28	MA-10251711000	2		Joint
29	MA-05620108030	2		Pin, Clevis
30	MA-05620108025	6		Pin, Clevis
32	MA-05200125020	8		Pin, Split
33	MA-03500130815	2		Washer
36	MA-27141917000	3		Spring
37	MA-F1540108025	1		Bolt
38	MA-05621110030	1		Pin,Clevis
39	MA-05200130020	1		Pin,Split
40	MA-67700-26000	1		Collar
42	MA-07310101204	AR		Liner t=0.4
43	MA-14212284000	1		Grip
44	MA-19631839AG1	1		Lever, Parking
45	MA-11352230000	1		Spring
46	MA-19641845000	1		Rod, Clutch
49	MA-11931812000	3		Cover, Pedal
50	MA-A3030112002	2		Nut
52	MA-19631843001	1		Hook, Clutch Pedal
53	MA-19641842001	1		Bolt, Stopper
54	MA-A3030110002	1		Nut
56	MA-07961025200	4		Bushing
57	MA-A6513100300	2	S	Nipple, Grease
58	MA-03500160826	1		Washer
59	MA-07310102510	AR	/P	Liner
60	MA-35011788000	1		Rubber, Edge

