

7252 Tractor (54AG742-100)
2WD Transmission

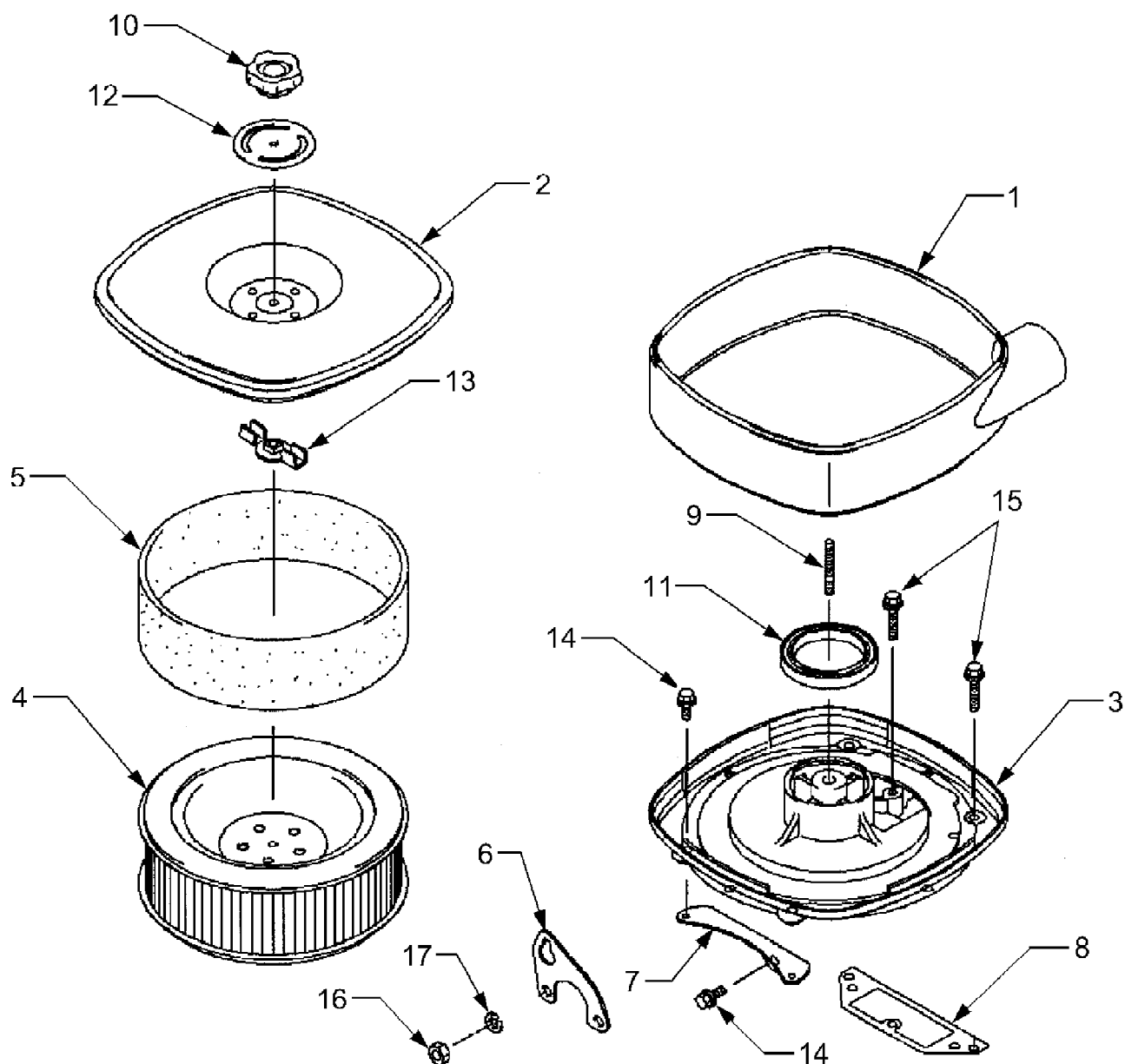
Page 2 of 68

| Ref # | Part Number | Qty | S/P/F | Description |
|-------|-------------|-----|-------|---|
| | 737-3025 | 1 | /P | Transmission Oil, 1 Qt. 6 gal. |
| | 737-3062 | 1 | /P | Transmission Oil, 1 Gal. |
| | 737-3035 | 1 | /P | Transmission Oil, 5 Gal. |
| | 759-3958 | 1 | | Sealant, Loctite (R) Black, 5.3 oz. as required |
| 1 | 603-0688A | 1 | /P | Arm, Hydro Control |
| 2 | 603-0712A | 1 | | Bracket, Transmission Mtg. RH |
| 3 | 603-0713A | 1 | S | Bracket, Transmission Mtg. RH |
| 4 | 619-3059 | 1 | S | Cover, Transmission Housing |
| 5 | 703-3577 | 1 | | Plate, Feedback |
| 6 | 703-3715 | 1 | S | Baffle, Oil |
| 7 | 703-05041 | 1 | | Arm, Neutral RH |
| 8 | 703-05042 | 1 | | Arm, Neutral LH |
| 9 | 710-0294 | 4 | | Screw, Hex Cap, 1/4-20 x .375 GR5 |
| 10 | 710-0591 | 1 | /P | Screw, Hex Cap Lock, 3.8-24 x 1.0 GR5 |
| 11 | 710-0833 | 4 | /P | Screw, Hex Cap, 5/16-18 x 5.25 GR5 |
| 12 | 710-1633 | 1 | | Screw, Plug, M14 x 1.5 x .827 |
| 13 | 710-1853 | 1 | | Screw, Hex Special Set, 5/16-18 x .625 |
| 14 | 710-3005 | 4 | /P | Screw, Hex Cap, 3/8-16 x 1.25 GR5 |
| 15 | 710-3013 | 2 | /P | Screw, Hex Cap, 1/4-20 x .5 GR5 |
| 16 | 710-3032 | 6 | /P | Screw, Hex Cap, 1/2-13 x 1.25 GR5 |
| 17 | 710-3120 | 9 | | Screw, Hex Cap Lock, 3/8-16 x 1.5 GR5 |
| 18 | 710-3262 | 2 | | Screw, Low Hd. Cap, 3/8-16 x .75 |
| 19 | 711-1355 | 1 | | Shaft, Rock |
| 20 | 712-0431 | 2 | S | Nut, Hex Flange Lock, 3/8-16 |
| 21 | 716-0111 | 1 | /P | Ring, Retaining |
| 22 | 716-0195 | 1 | | Ring, Retaining |
| 23 | 717-3507 | 1 | S | Pump, Hydrostatic Transmission |
| 24 | 718-3131 | 1 | | Pump, Auxiliary Hydraulic |
| 25 | 719-3166 | 1 | | Arm, Upper Hitch RH |
| 26 | 719-3167 | 1 | | Arm, Upper Hitch LH |
| 27 | 721-0501 | 1 | | O-Ring, 2.987 ID x .103 Dia |
| 28 | 721-0510 | 2 | | Seal, Oil, 1.5 x 2.0 x .25 |
| 29 | 723-3071 | 1 | | Filter, Oil, Hydraulic System use with 737-3105 Fitting, Nipple |
| 29 | 723-04032A | 1 | | Filter, Oil, Reverse Flow style Not shown, use with 619-04163, Refer to Service Advisory CC-566 |
| 29 | 619-04163 | 1 | S | Housing, Reverse Flow Not shown, use with 723-04032A, Refer to Service Advisory CC-566 |
| 30 | 723-3014 | 1 | S | Filter, Oil |
| 31 | 723-3021 | 1 | /P | Breather, Transmission |
| 32 | 725-3272 | 1 | | Sensor, RPM |
| 33 | 727-3012 | 2 | /P | Fitting, 90 degrees |
| 34 | 727-3176 | 1 | | Tube, Auxiliary Pump Suction |
| 35 | 727-3181 | 1 | | Tube, Hydro Suction |
| 36 | 731-04018 | 1 | | Grommet |
| 37 | 732-1162 | 1 | | Spring, Extension |
| 38 | 736-3052 | 2 | /P | Washer, Flat, .406 x 1.0 x .105 |
| 39 | 737-0146 | 1 | S | Fitting, Grease |
| 40 | 737-0349 | 2 | | Plug, Fitting |
| 41 | 737-3105 | 1 | | Filter, Oil, Hydraulic System use with 737-3071 Fitting, Nipple |

7252 Tractor (54AG742-100)
2WD Transmission

Page 3 of 68

| Ref # | Part Number | Qty | S/P/F | Description |
|-------|-------------|-----|-------|-------------------------------------|
| 42 | 737-3108 | 1 | | Fitting, 90 degrees |
| 43 | 737-3111 | 1 | | Fitting, 90 degrees |
| 44 | 737-3112 | 1 | | Fitting, Straight |
| 45 | 737-3113 | 2 | | Fitting, Straight |
| 46 | 738-0108 | 1 | S | Screw, Shoulder, .498 Dia x 1.45 |
| 47 | 738-0430 | 1 | | Screw, Shoulder, .50 Dia x .685 |
| 48 | 738-04001 | 4 | | Screw, Shoulder, .625 x .18: 1/2-13 |
| 49 | 741-1110 | 2 | | Bearing, Sleeve, 1.52 x 1.75 x 1.0 |
| 50 | 750-1208 | 4 | | Spacer, .40 x 1.0 x 3.9 |
| 51 | 750-1239 | 2 | | Spacer, 1.52 x 2.25 x .188 |
| 52 | 737-04018 | 1 | | Dipstick |



7252 Tractor (54AG742-100)
Air Filter

Page 5 of 68

| Ref # | Part Number | Qty | S/P/F | Description |
|-------|---------------|-----|-------|------------------------|
| 1 | KM-11011-2314 | 1 | | Case, Air Filter Body |
| 2 | KM-11011-2315 | 1 | S | Case, Air Filter Upper |
| 3 | KM-11011-2316 | 1 | | Case, Air Filter Lower |
| 4 | KM-11013-2195 | 1 | S | Element, Air Filter |
| 5 | KM-11013-2194 | 1 | | Precleaner, Foam |
| 6 | KM-11051-2088 | 1 | | Bracket |
| 7 | KM-11051-2089 | 1 | | Bracket, Air Filter |
| 8 | KM-11061-2085 | 1 | | Gasket, Air Filter |
| 9 | KM-92004-2152 | 1 | | Stud, 6 x 30 |
| 10 | KM-92015-2138 | 1 | | Nut |
| 11 | KM-92093-2113 | 1 | S | Seal |
| 12 | KM-92200-2136 | 1 | | Washer |
| 13 | KM-92210-2079 | 1 | | Nut |
| 14 | KM-130G0614 | 3 | | Bolt, Flanged |
| 15 | KM-130G0630 | 3 | /P | Bolt, Flanged |
| 16 | KM-317R0800 | 1 | /P | Nut, Hex |
| 17 | KM-461F0800 | 1 | S | Washer, Spring |

