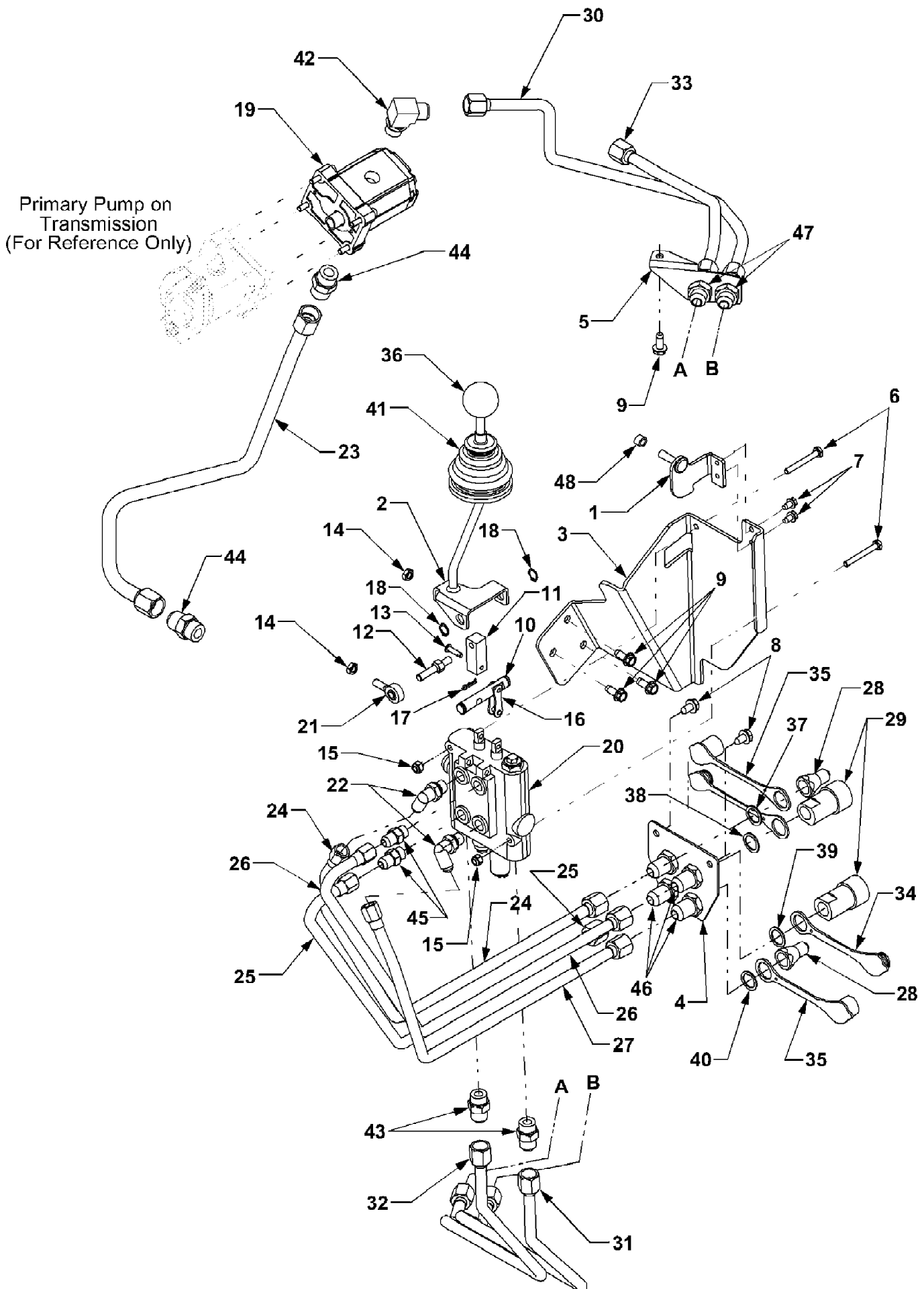


7252 Tractor (54AG722-100)  
Air Filter

Page 2 of 70

Ref #	Part Number	Qty	S/P/F	Description
1	KM-11011-2314	1		Case, Air Filter Body
2	KM-11011-2315	1	S	Case, Air Filter Upper
3	KM-11011-2316	1		Case, Air Filter Lower
4	KM-11013-2195	1	S	Element, Air Filter
5	KM-11013-2194	1		Precleaner, Foam
6	KM-11051-2088	1		Bracket
7	KM-11051-2089	1		Bracket, Air Filter
8	KM-11061-2085	1		Gasket, Air Filter
9	KM-92004-2152	1		Stud, 6 x 30
10	KM-92015-2138	1		Nut
11	KM-92093-2113	1	S	Seal
12	KM-92200-2136	1		Washer
13	KM-92210-2079	1		Nut
14	KM-130G0614	3		Bolt, Flanged
15	KM-130G0630	3	/P	Bolt, Flanged
16	KM-317R0800	1	/P	Nut, Hex
17	KM-461F0800	1	S	Washer, Spring

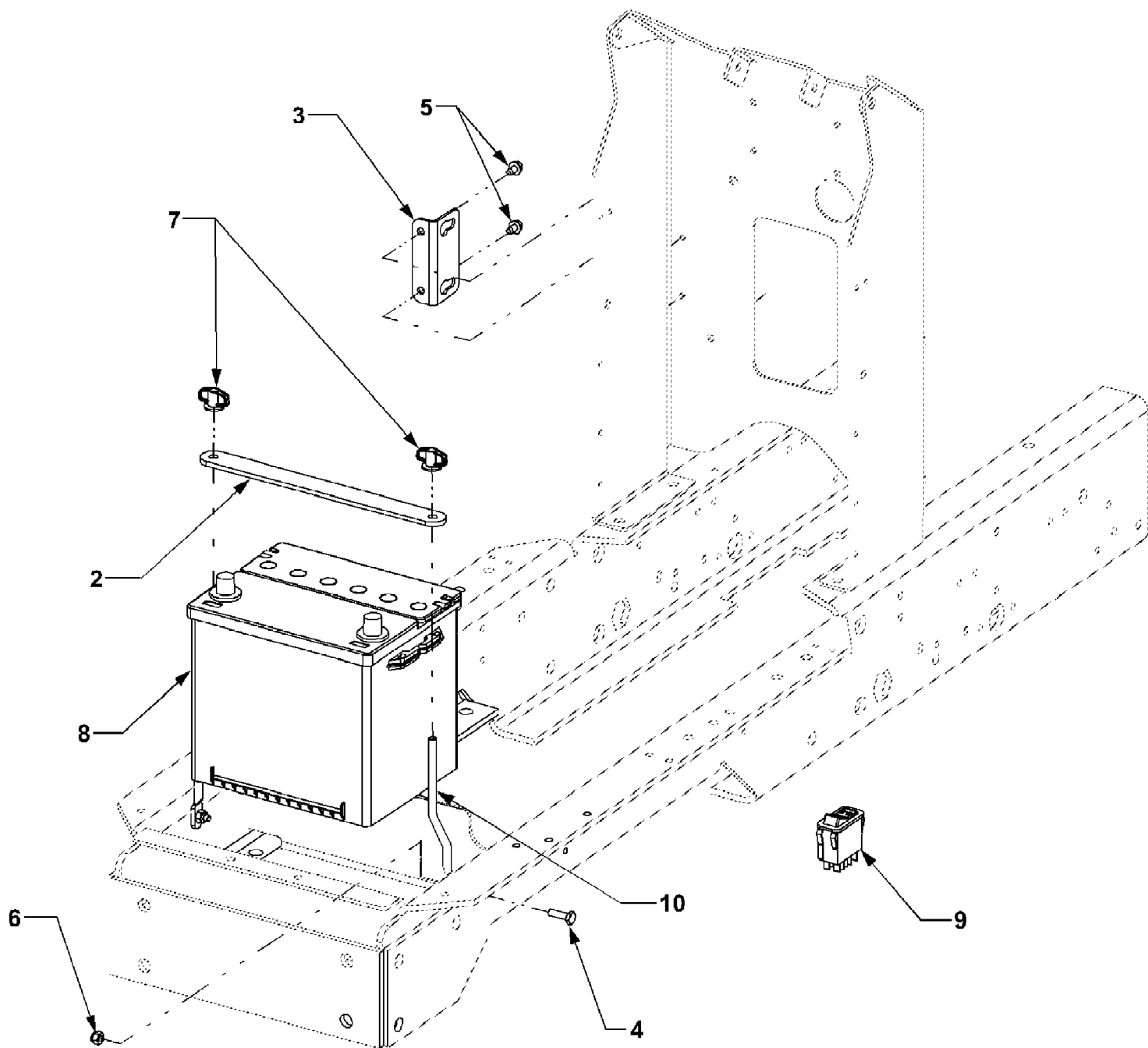
7252 Tractor (54AG722-100)  
Auxiliary Hydraulic Loader Valve (If Equipped)



7252 Tractor (54AG722-100)  
Auxiliary Hydraulic Loader Valve (If Equipped)

Page 4 of 70

Ref #	Part Number	Qty	S/P/F	Description
1	603-0813	1	S	Pivot Bracket Assembly
2	603-0862	1		Valve Handle Assembly
3	703-3598-0637	1	/P	Loader Valve Mount Bracket
4	703-3972-0637	1	/P	Fitting Mount Plate
5	703-3973-0637	1	/P	Rear Fitting Mount Plate
6	710-0501	2	/P	Hex Screw, 1/4-20, 2.00, Gr5
7	710-0599	2	/P	Hex Wash. Hd. Tapp Screw 1/4-20 x .50
8	710-0604A	2	/P	Hex Wash. Hd. Tapp Screw 5/16-18 x .625
9	710-1260A	4	/P	Hex Wash. Hd. Tapp Screw 5/16-18 x .75
10	711-1611	1		Valve Pivot Shaft
11	711-1624	1		Valve Spool Link
12	711-1637	1		Ball Joint Pivot Stud
13	711-1642	1		Clevis Pin, .199 x .8125
14	712-0256	2	/P	Jam Nut, 5/16-24, Gr2
15	712-0324	2	/P	Hex Lock Nut, 1/4-20, Gr8, Nylon
16	713-3000	1	S	Chain Link
17	714-0104	1	S	Internal Cotter Pin
18	716-0865	2	/P	Snap Ring, .5
19	718-3138	1	S	Auxiliary Hydraulic Pump
	759-3964	2		Pin, Dowel
	759-3965	4	S	Bolt, Mounting
	759-3966	1		Coupler, Splined
20	718-3140	1		Loader Control Valve
21	723-0488	1	S	Ball Joint, .3125 Id x 5/16-24
22	727-3012	2	/P	Fitting, 90° 6-6 Orb
23	727-3206	1		Tube, Tandem Pump Suction
24	727-3210	1		Tube, Hydraulic - Bucket Rollback
25	727-3211	1		Tube, Hydraulic - Bucket Dump
26	727-3212	1		Tube, Hydraulic - Boom Lift
27	727-3213	1		Tube, Hydraulic - Boom Lower
28	727-3224	2		Coupling, Male Hydraulic, 3/8-18
29	727-3225	2		Coupling, Female Hydr. 3/8-18
30	727-3226	1		Tube, Auxiliary Pump Pressure
31	727-3227	1		Tube, Valve Pressure
32	727-3228	1		Tube, Valve Return
33	727-3229	1		Tube, Valve Return
34	727-3261	2		Plug, Hydraulic Coupler - Male
35	727-3262	2	/P	Plug, Hydraulic Coupler - Female
36	731-3353	1		Knob, 1.625 Dia x 3/8-16 Thd
37	731-3374	1	/P	Washer, Indicator - Red
38	731-3375	1	/P	Washer, Indicator - Yellow
39	731-3376	1	/P	Washer, Indicator - Green
40	731-3377	1	/P	Washer, Indicator - Blue
41	735-0696	1		Joystick Boot
42	737-3111	1		Fitting, 90° -8 Orb
43	737-3112	2		Fitting, Straight -8 Orb
44	737-3113	2		Fitting, Straight
45	737-3125	2		Fitting, Straight - 6 Orb
46	737-3129	4		Fitting, Bulkhead 3/4-16 x 3/8-18
47	737-3130	2		Fitting, Bulkhead 3/4-16 x 3/4-16
48	750-0845	1	S	Spacer, .34 ID x .5 OD x .31



7252 Tractor (54AG722-100)  
 Battery And Electrical

Page 6 of 70

Ref #	Part Number	Qty	S/P/F	Description
	629-3060	1		Harness, Main Wire Not Shown
2	703-4104-0637	1	/P	Strap, Battery Holddown
3	703-4131	1	S	Bracket, Fuse Center
4	710-0206	2	/P	Screw, Hex Cap, 1/4-10 x .875 GR5
5	710-0599	2	/P	Screw, Hex Wash Hd. Tapp 1/4-20 x .5
6	712-0324	2	/P	Nut, Hex Nylon Insert Lock, 1/4-20
7	712-0421	2		Nut, Wing w/Bell Washer, 5/16-18
8	725-3174	1	S	Battery, 500 cca Dry
9	725-3273	1		Switch, PTO Reverse Override
10	747-3433	2		Rod, Battery Holddown

