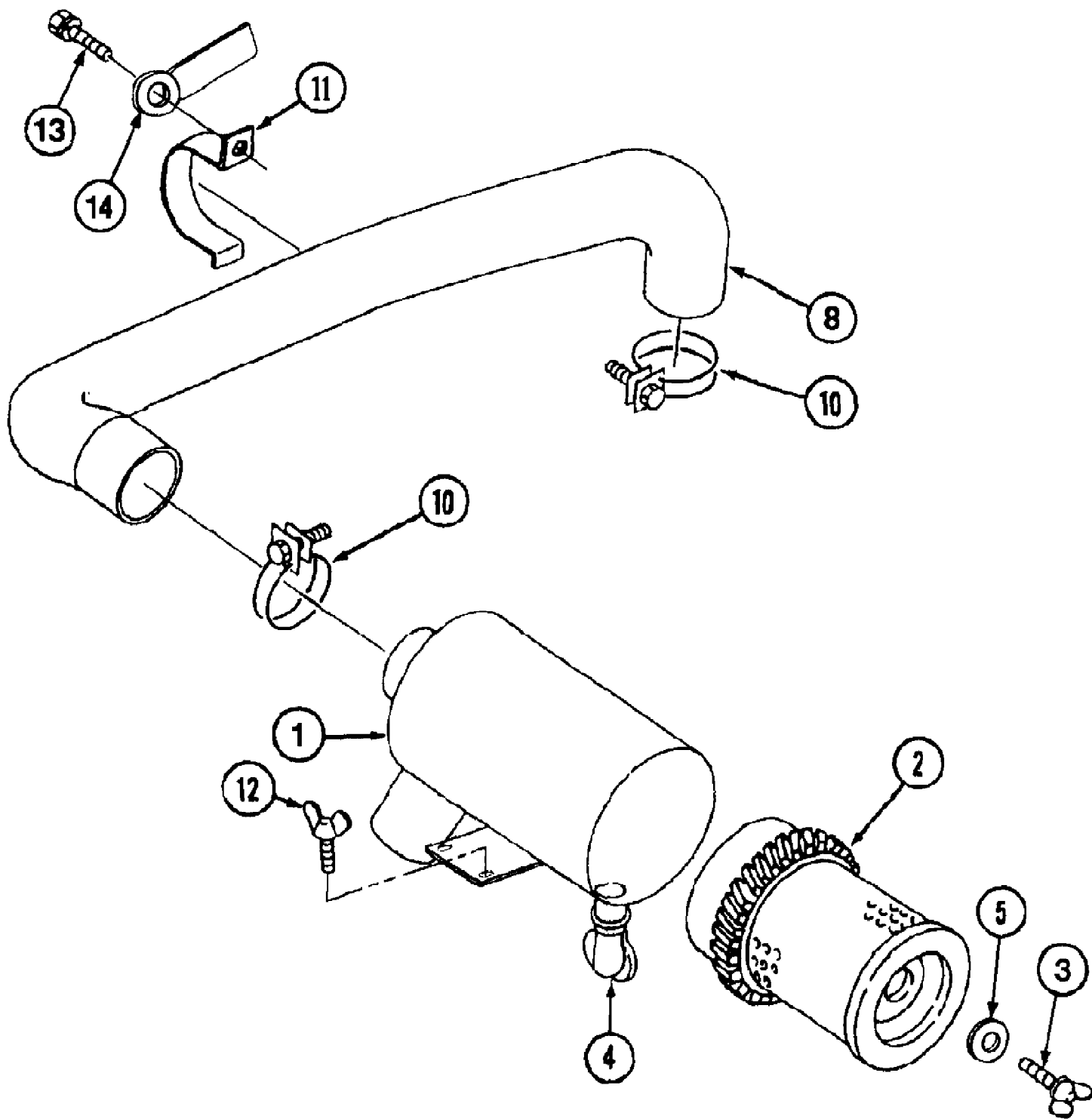


7205 Tractor
3 Point Linkage

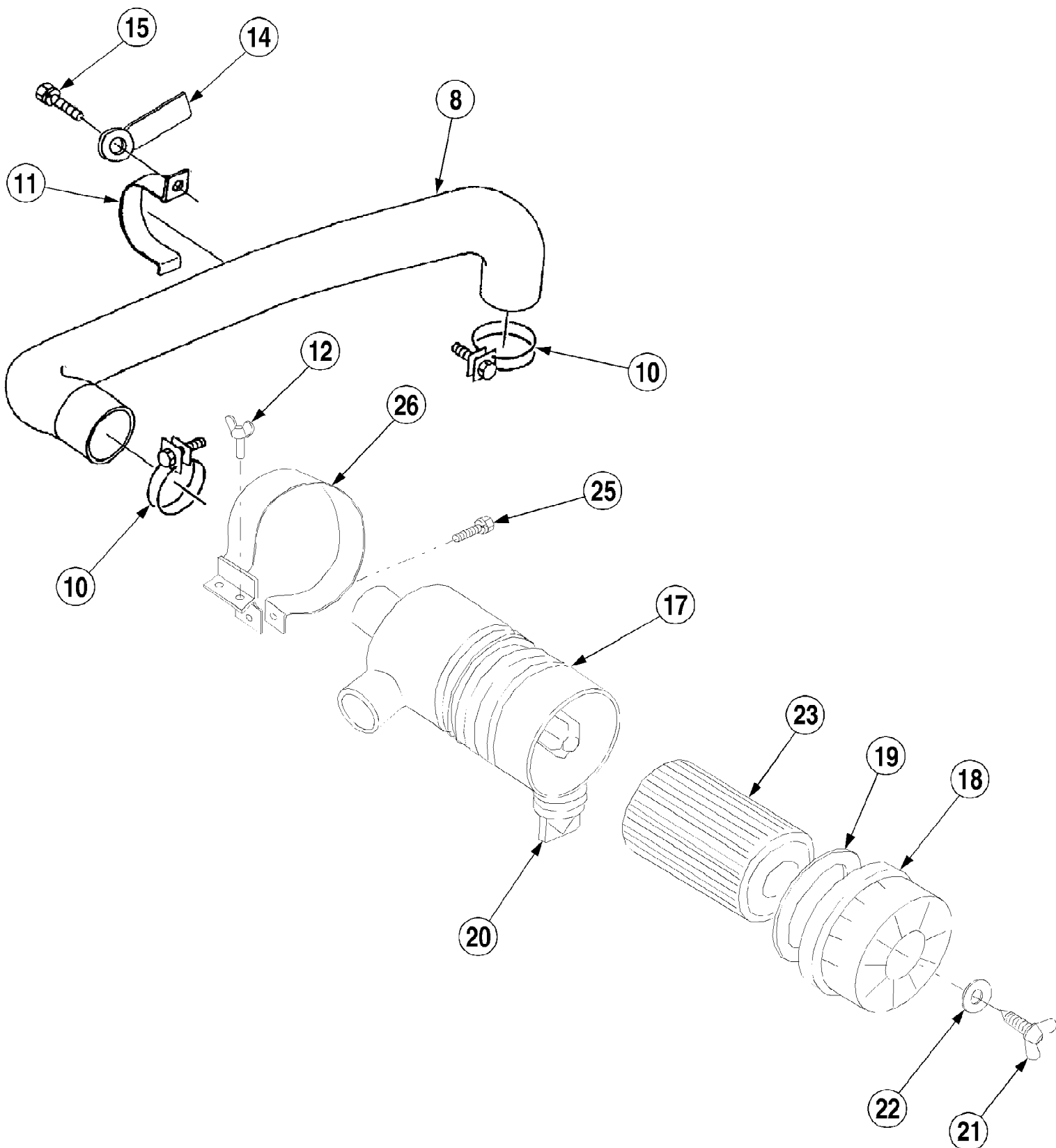
Page 2 of 219

Ref #	Part Number	Qty	S/P/F	Description
1	MA-19633001AG0	1		Bracket, L.H.
2	MA-19633002AG0	1		Bracket, R.H.
3	MA-19633003AG0	2		Bracket
4	MA-F1540112030	4		Bolt
	MA-19633005AG0	1		3P Sub Ass'y. Includes 6-42
6	MA-19633006AG0	2		Link, Lower
7	MA-19633007AG0	1		Rod, Lift L.H.
	MA-19633011AG0	1		Rod, Lift R.H. Ass'y. Includes 10-13
10	MA-19633012AG0	1	/P	Rod A
11	MA-10323025AG0	1	/P	Lift Rod, Middle
12	MA-19633014AG0	1		Rod B
13	MA-10323024000	1	S	Nut, Lock
	MA-19633016000	2		Check Chain Ass'y. Includes 16-19
16	MA-19633017000	2	/P	Chain A
17	MA-19633018000	2		Chain B
18	MA-19633019AG0	2	/P	Turnbuckle
19	MA-A3000112002	2		Nut
21	MA-A3600101602	2		Washer
22	MA-A3040116002	2		Nut
23	MA-19633021000	2		Pin, Clevis
24	MA-05200130020	2		Pin, Split
26	MA-10323018001	2	/P	Pin, Lift Rod
27	MA-10323019000	2		Pin, Snap
28	MA-19633024000	1		Band
29	MA-10323012000	6		Linch Pin
30	MA-10323016000	2		Washer
	MA-19633026AG0	1	/P	Top Link Ass'y. Includes 32-35
32	MA-19633027AG0	1		Turnbuckle
33	MA-19633028AG0	1		Adjuster
34	MA-19633029000	1		Nut
35	MA-19633036AG0	1		Adjuster
38	MA-19633037000	1		Pin, Upper Link
39	MA-10323012000	1		Linch Pin
41	MA-19633038000	1		Pin
42	MA-19633041000	1		Pin, Snap
43	MA-19633031000	1		Hook, Top Link
45	MA-19633034AG0	1	S	Cover, PTO
46	MA-F1540112025	2		Bolt



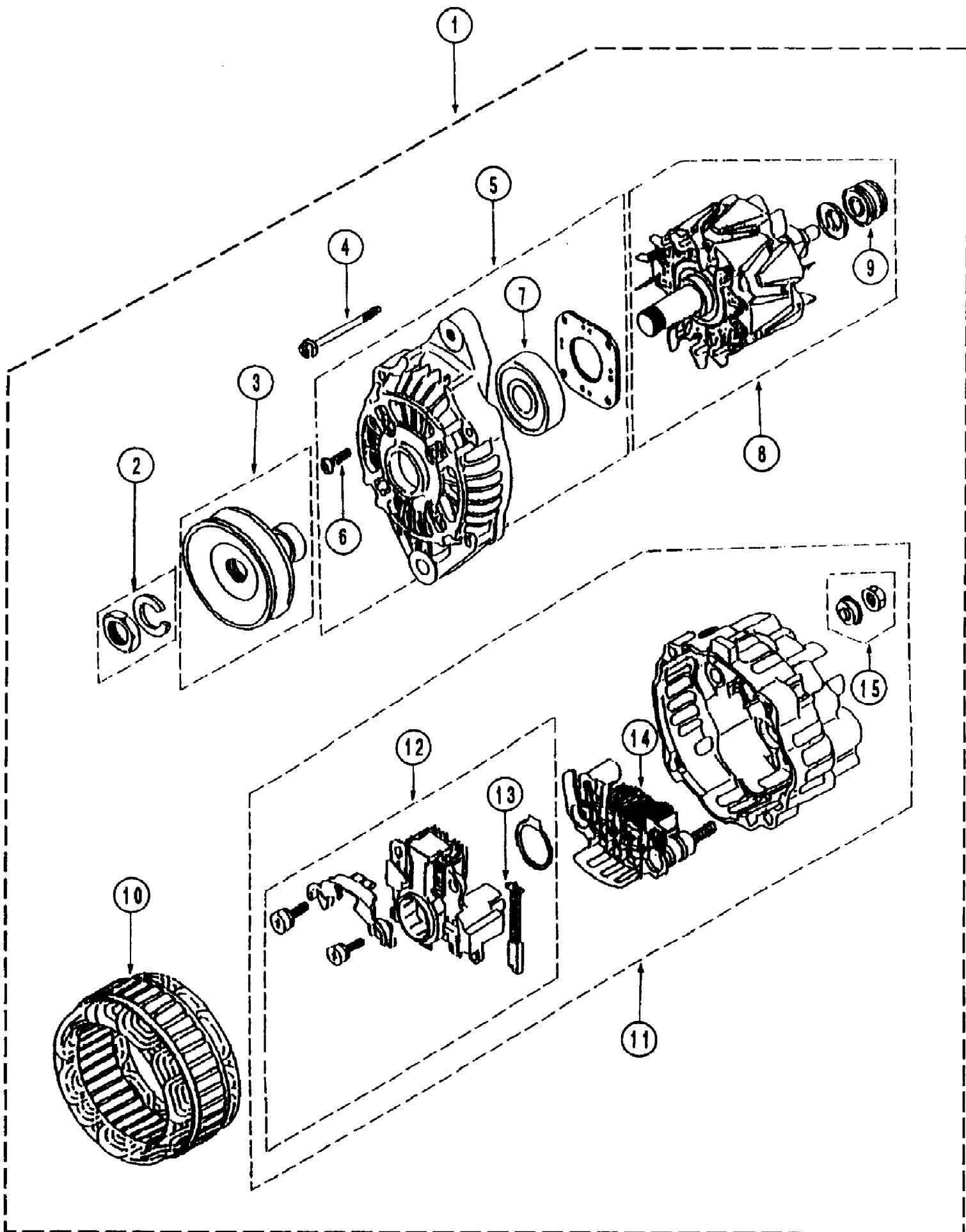
7205 Tractor
Air Cleaner SN 21677 & below

Ref #	Part Number	Qty	S/P/F	Description
	MA-19630511000	1		Air Cleaner Includes Items 1 - 5
1	MA-10320521100	1		Case Ass'y.
2	MA-10300511200	1		Element
3	MA-36610304000	1		Bolt Ass'y., Wing
4	MA-10300511300	1		Valve
5	MA-19820021110	1		Washer, Seal
8	MA-19630512001	1		Hose Air
10	MA-00501100560	2		Band, Hose
11	MA-19630513000	1		Clamp
12	MA-14141454000	1		Bolt, Wing
13	MA-F1540108020	1	F	Bolt
	MA-H1540108020	1	F	Bolt
14	MA-00502108083	1	F	Clamp



7205 Tractor
Air Cleaner SN 21678 & above

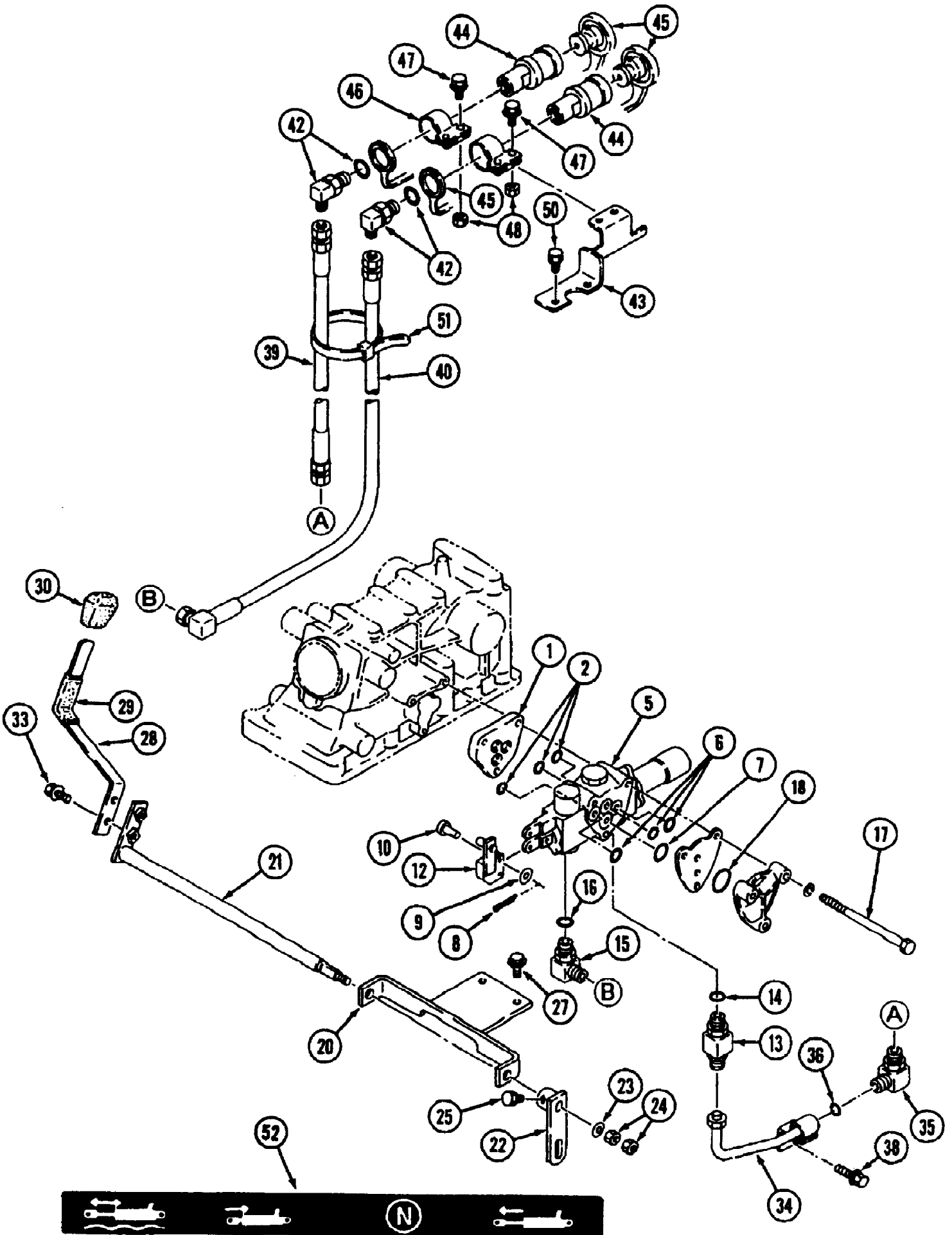
Ref #	Part Number	Qty	S/P/F	Description
	MA-19670511000	1		Air Cleaner Assembly (Includes item 17-23)
8	MA-19630512001	1		Hose, Air
10	MA-00501100560	2		Band, Hose
11	MA-19630513000	1		Clamp
12	MA-14141454000	1		Bolt, Wing
14	MA-00502108083	1		Clamp
15	MA-H1540108020	1		Bolt
17	N/A	1		Case
18	MA-35460501200	1		Cap
19	MA-35460501300	1		Gasket
20	MA-35460501400	1		Valve
21	MA-35460501500	1		Bolt Ass'y., Wing
22	MA-35460501600	1		Washer, Seal
23	MA-35460501800	1	F	Element
25	MA-F1540108030	1		Bolt
26	MA-19670512AG0	1		Band



7205 Tractor
Alternator

Page 8 of 219

Ref #	Part Number	Qty	S/P/F	Description
1	MA-31A68-00401	1	S	Alternator Ass'y
2	MA-A981X20771	1		Nut Set
3	MA-A628T62170	1		Pulley Ass'y
4	MA-A414X19271	1		Bolt Set
5	MA-A640T52770	1		Bracket Ass'y, Front
6	MA-A414X21271	1		Screw Set
7	MA-S930P18870	1		Bearing, Front
8	MA-A880T65470	1		Rotor Ass'y
9	MA-S930P63670	1		Bearing, Rear
10	MA-A383T46370	1		Starter Ass'y
11	MA-A642X25570	1		Bracket Ass'y, Rear
12	MA-A866X28472	1		Regulator Set
13	MA-A647X50170	2	/P	Brush Set
14	MA-A860T40670	1		Rectifier Ass'y
15	MA-A529X07871	1		Nut Set

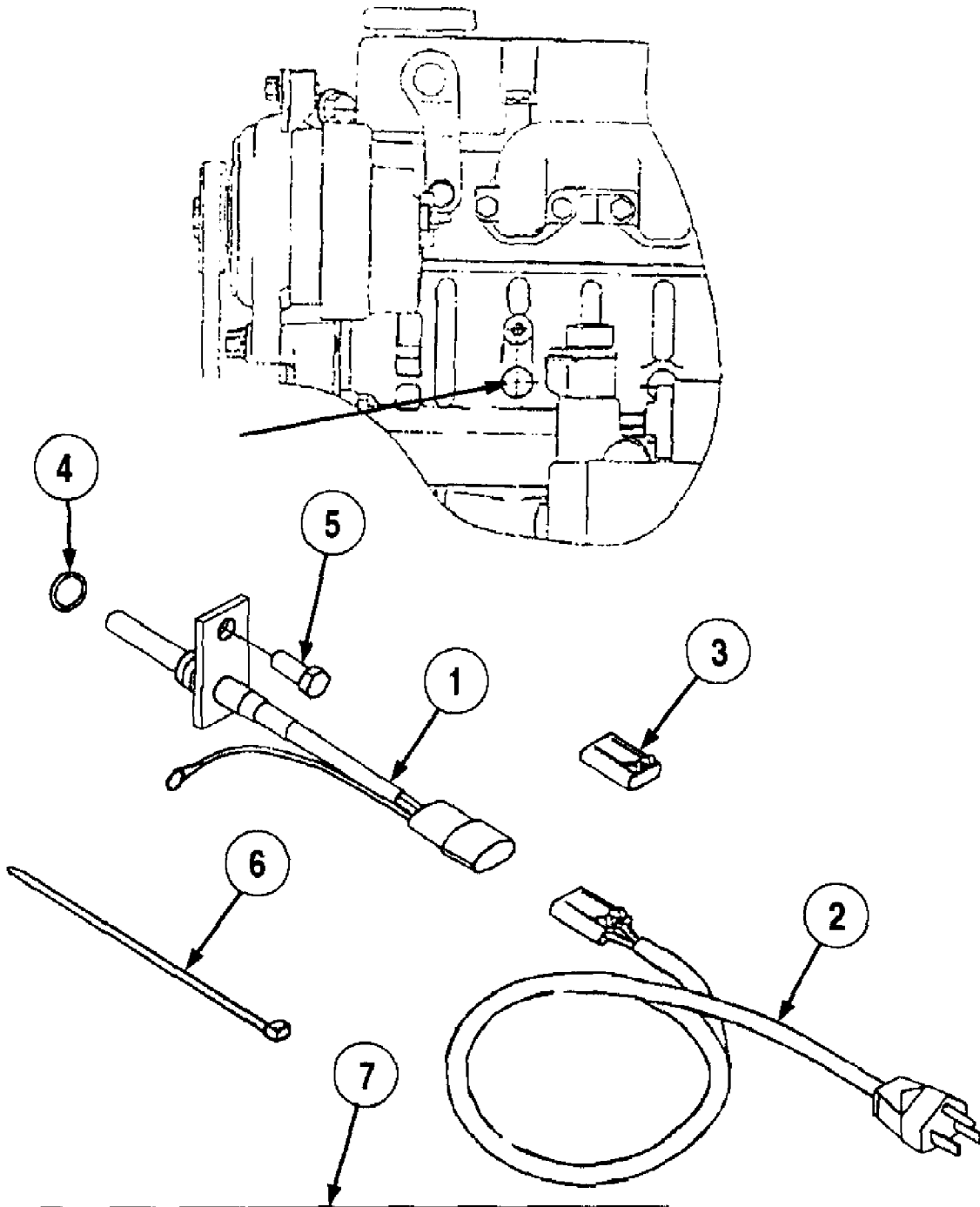


ON LEVER GUIDE R H

7205 Tractor
Auxiliary Valve Kit

Page 10 of 219

Ref #	Part Number	Qty	S/P/F	Description
1	MA-12185026000	1		Spacer
2	MA-08301100120	3	/P	O-Ring
	MA-19632482AG0	1		Sub Valve Includes 5-10
5		1		Body
6	MA-08300100120	3	S	O-Ring
7	MA-08300100160	1	/P	O-Ring
8	MA-05200112008	3		Pin, Split
9	MA-03500120512	3		Washer
10	MA-11556501270	3		Pin, Clevis
12	MA-19632483000	1		Arm
13	MA-06203112171	1		Body (Nipple)
14	MA-08301100140	1		O-Ring
15	MA-06313117170	1		Elbow 90 Includes 15,16
16	MA-08300100140	1		O-Ring
17	MA-A0540108095	3		Bolt
18	MA-A3600100802	3		Washer
20	MA-19632484AG0	1		Bracket
21	MA-19632486000	1		Shaft
22	MA-19632487000	1		Arm
23	MA-03500140818	1		Washer
24	MA-A3010108002	2		Nut
25	MA-A0500108012	1		Bolt
27	MA-F1550110025	2		Bolt
	MA-19632488AG0	1		Lever Ass'y. Includes 28,29
28		1		Lever
29	MA-19632439000	1		Tube
30	MA-11742449000	1		Grip
33	MA-H1540108016	2		Bolt
34	MA-19632490AG0	1		Pipe Press. Ass'y.
35	MA-06313117170	1		Elbow 90 Includes 35,36
36	MA-08300100140	1		O-Ring
38	MA-H1550110016	1		Bolt
39	MA-19632492000	1		Hose Ass'y.
40	MA-19632493000	1		Hose Ass'y.
42	MA-19632494000	2		Fitting
43	MA-19632496AG0	1		Bracket
44	727-3093	2	S	Coupling
45	731-3177	2		Plug/A
46	MA-12185264000	2		Clamp, Coupler
47	MA-H1540108020	4		Bolt
48	MA-F3010108001	4		Nut
50	MA-F1540108012	2		Bolt
51	MA-00511070070	1		Band, Wire
52	MA-19632753000	1		Label, Aux. Valve



BLOCK HEATER SET UP INSTRUCTIONS

WARNING: The 7205 tractor is equipped with a diesel engine. The engine is a high speed, high pressure diesel engine. It is not to be used for any purpose other than that intended by the manufacturer. The engine is not to be used for any purpose other than that intended by the manufacturer. The engine is not to be used for any purpose other than that intended by the manufacturer.

INSTALLATION OF THE BLOCK HEATER:

1. Remove the engine cover and locate the block heater mounting bracket.
2. Position the block heater mounting bracket on the engine block.
3. Tighten the mounting bracket to the engine block.
4. Connect the block heater power cord to the engine block.
5. Connect the block heater power cord to the tractor's electrical system.
6. Test the block heater operation.

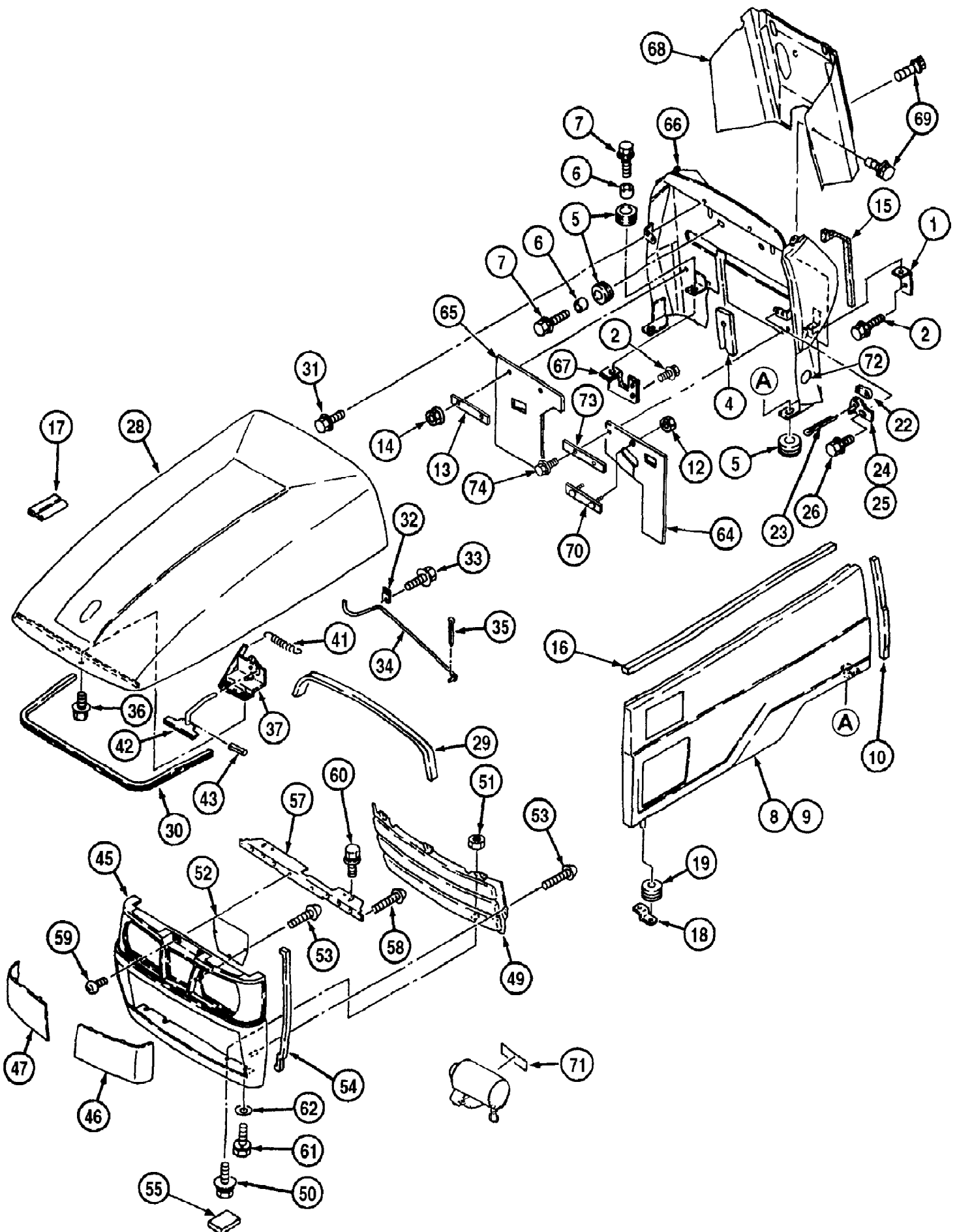
OPERATION:

1. Start the tractor and allow the engine to warm up.
2. The block heater will automatically operate when the tractor is started.
3. The block heater will stop operating when the tractor is shut off.

Part Number	Description	Quantity
1	Block Heater	1
2	Power Cord	1
3	Mounting Bracket	1
4	Washer	1
5	Bolt	1
6	Long Rod	1
7	Power Cord	1

7205 Tractor
Block Heater (Optional)

Ref #	Part Number	Qty	S/P/F	Description
1		1		Heater, Water (NSS)
2	MA-31A90-03200	1		Cable Ass'y.
3	MA-31A90-03300	1		Connector
4	MA-F3150-01600	1	S	O-Ring
5	MA-MF241252	1		Bolt
6	MA-00511070070	1		Band Wire
7		1		Installation Chart (NSS)
	MA-19670050000	1		Block Heater Kit



7205 Tractor
Bonnet (Hood)

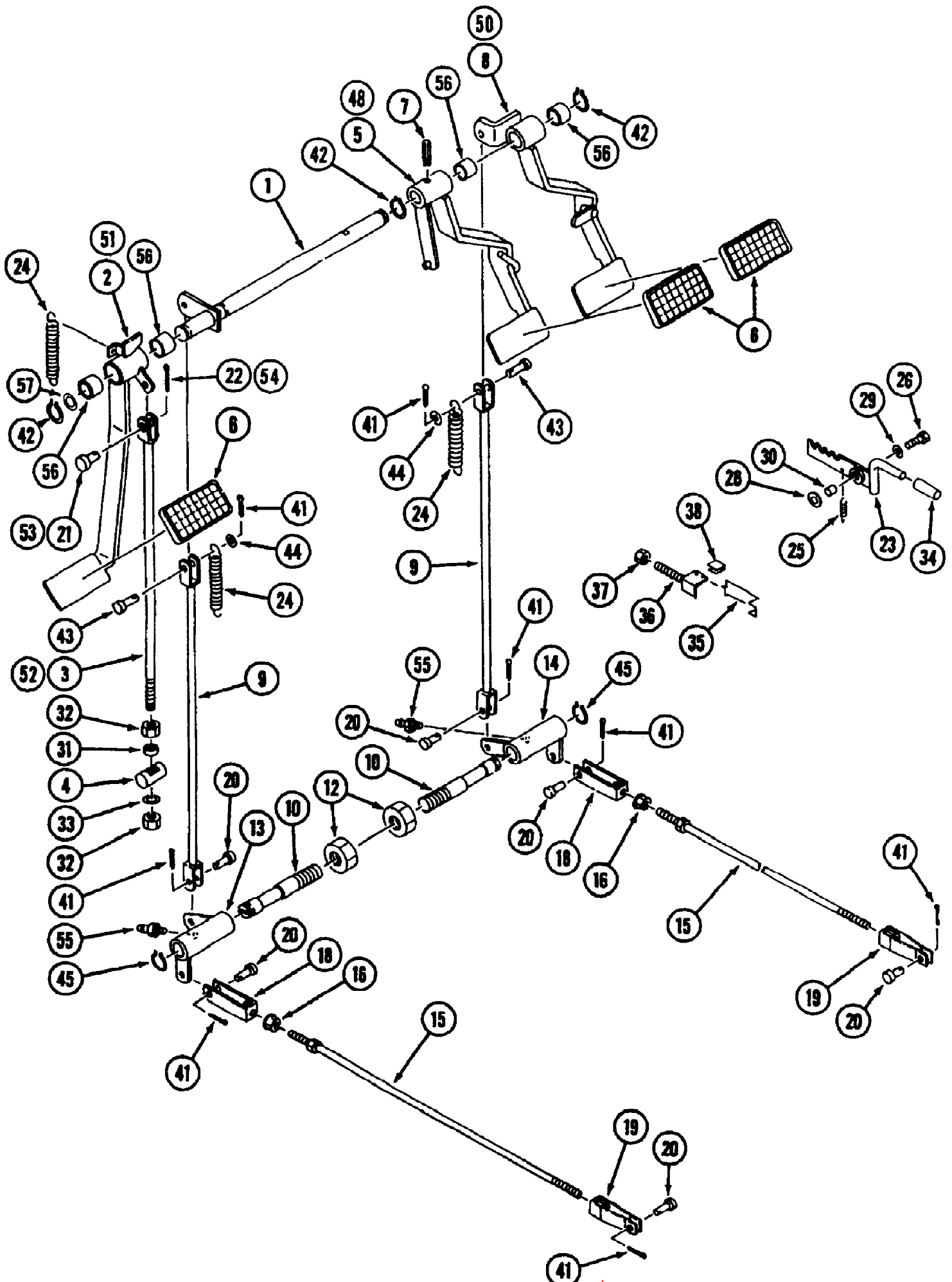
Page 14 of 219

Ref #	Part Number	Qty	S/P/F	Description
1	MA-19632613000	1		Bracket
2	MA-H1540108020	3		Bolt
4	MA-19672615000	1		Cushion
5	MA-11930439000	6		Grommet
6	MA-67700-26000	4		Collar
7	MA-H1540108025	4		Bolt
8	MA-19672618BC0	1		Cover, Side L.H.
9	MA-19672619BC0	1		Cover, Side R.H.
10	MA-19632623000	2		Cushion
12	MA-F3000106000	2	F	Nut Used with Body Panel MA-19672612BC1.
13	MA-19632617000	1		Plate
14	MA-F3010108001	2		Nut
15	MA-10192598300	2	S	Cushion
16	MA-MA911822000	2	S	Rubber, Cushion
17	MA-19632017000	1		Cushion
18	MA-19632621AG0	2		Bracket
19	MA-11740217001	2		Grommet
22	MA-10322629001	4	/P	Hook
23	MA-05200130032	4		Pin, Split
24	MA-10322631000	2		Bracket A
25	MA-10322632000	2		Bracket B
26	MA-H1540108016	4		Bolt
28	MA-19672633BC1	1		Hood, Bonnet
29	MA-10382631000	1		Cushion
30	MA-19632634000	1		Cushion
31	MA-H1840108020	2		Bolt
32	MA-11910414000	1		Clip
33	MA-H1440106016	1	/P	Bolt
34	MA-19632642000	1		Rod, Stopper
35	MA-05200125016	1	S	Pin, Split
36	MA-H1540108016	2		Bolt
37	MA-19632636000	1		Bracket, Lever
41	MA-19740722000	1		Spring
42	MA-19632637BC0	1		Lever
43	MA-05500003032	1		Pin, Spring
45	MA-19672645000	1		Grille
46	MA-19632655000	1		Cover, Lamp L.H.
47	MA-19632656000	1		Cover, Lamp R.H.
49	MA-19672646AG0	1	/P	Screen
50	MA-H1440106016	2	/P	Bolt
51	MA-A3000106002	2		Nut
52	MA-19672647AG0	1	/P	Screen
53	MA-04322105010	8		Screw
54	MA-35187645500	2		Seal
55	MA-43630642000	2		Rubber
57	MA-19632651BC0	1	S	Support, Grille
58	MA-10212626000	2		Screw, Tapping
59	MA-A2520706012	2		Screw
60	MA-H1440106016	2	/P	Bolt
61	MA-F1440106016	2		Bolt
62	MA-03500150622	2		Washer
64	MA-19672611000	1		Cover
65	MA-19672611102	1		Cover

7205 Tractor
Bonnet (Hood)

Page 15 of 219

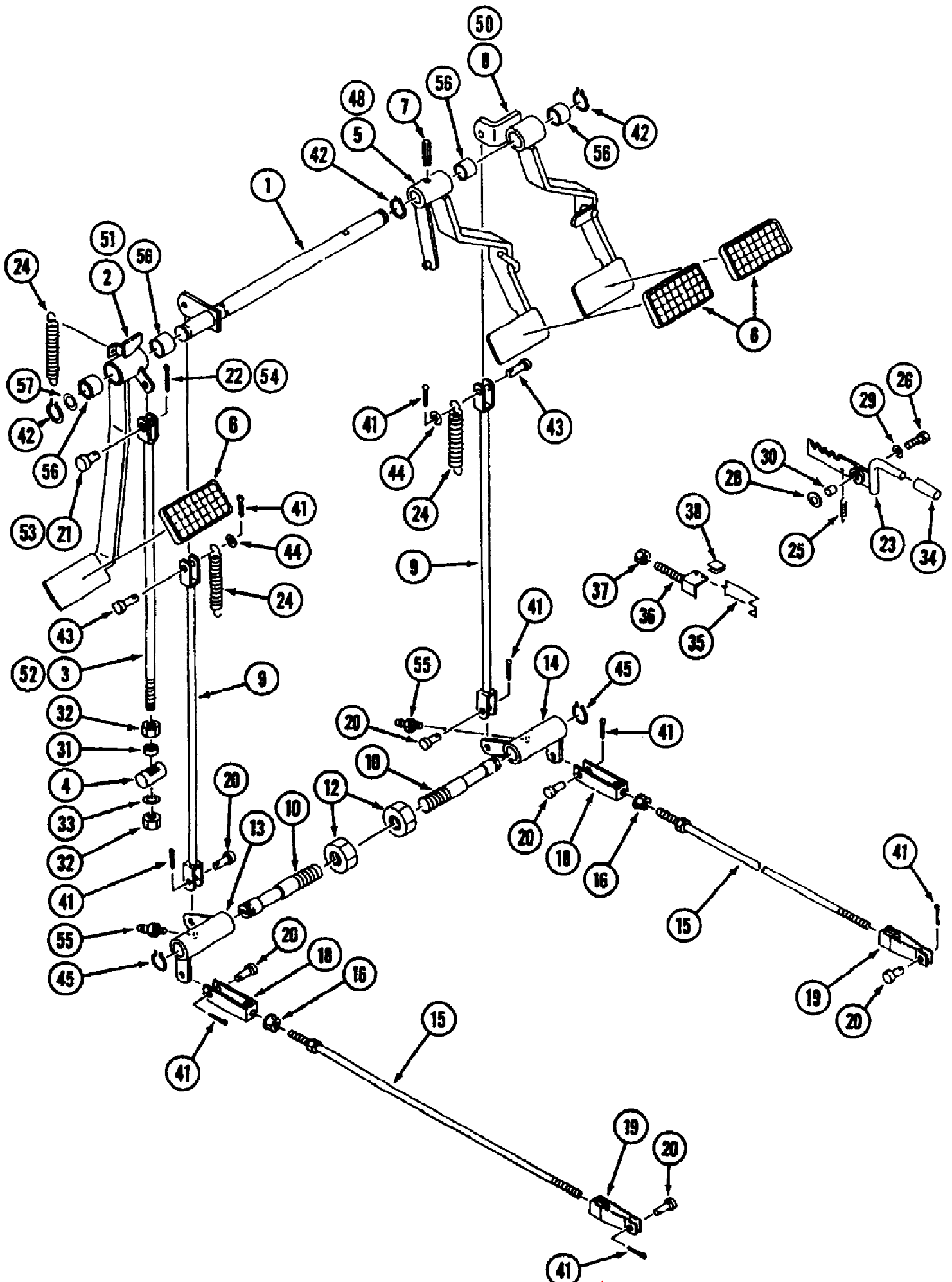
Ref #	Part Number	Qty	S/P/F	Description
66	MA-19672612BC0	1	F	Body, Panel
	MA-19672612BC1	1	F	Body, Panel
67	MA-19672613000	1		Bracket
68	MA-19672614000	1		Cover, Panel Rear
69	MA-H1640406016	3		Bolt
70	MA-19672616001	1	F	Plate Used with Body Panel MA-19672612BC1.
71	MA-37364709500	1		Plate
72	MA-19672621000	2		Mark
73	MA-19672616000	1	F	Plate Used with Body Panel MA-19672612BC0.
74	MA-H1440106012	2	F	Bolt Used with Body Panel MA-19672612BC0.



7205 Tractor
C/B Control - Gear Drive (Dual)

Page 17 of 219

Ref #	Part Number	Qty	S/P/F	Description
1	MA-19631805AG0	1		Shaft, Brake
2		1		Pedal, Clutch (HST) Not used on this product
3		1		Rod, Clutch (HST) Not used on this product
4	MA-19631811000	1		Pin
5	MA-19631815AG1	1		Pedal, Brake L.H. (Gear)
6	MA-11931812000	3		Cover, Pedal
7	MA-19631816000	1		Pin, Spring
8	MA-19631817AG0	1		Pedal, Brake R.H. (Gear)
9	MA-19631819000	2		Rod, Brake A
10	MA-19631821000	2		Shaft, Link
12	MA-A0730124001	2		Nut
13	MA-19631823AG0	1		Link, Brake L.H.
14	MA-19631825AG0	1		Link, Brake R.H.
15	MA-19631826000	2		Rod, Brake B
16	MA-A3030110002	2		Nut
18	MA-10072222000	2		Joint
19	MA-10251711000	2		Joint
20	MA-05620108025	6		Pin, Clevis
21		1		Pin, Clevis (HST) Not used on this product
22		1		Pin, Split (HST) Not used on this product
23	MA-19631839AG1	1		Lever, Parking Spring
24	MA-27141917000	3		Spring
25	MA-11352230000	1		Spring
26	MA-F1540108025	1		Bolt
28	MA-07310101204	AR		Liner t=0.4
29	MA-03500160826	1		Washer
30	MA-67700-26000	1		Collar
31	MA-35155086100	1		Collar
32	MA-A3030112002	2		Nut
33	MA-A3600101202	1		Washer
34	MA-14212284000	1		Grip
35	MA-19631843001	1		Hook, Clutch Pedal
36	MA-19641842001	1		Bolt, Stopper
37	MA-A3030110002	1		Nut
38	MA-35011788000	1		Rubber, Edge
41	MA-05200125020	8		Pin, Split
42	MA-07400002500	3	/P	Ring
43	MA-05620108030	2		Pin, Clevis
44	MA-03500130815	2		Washer
45	MA-07400102200	2		Ring
48		1		Pedal, Brake L.H. (HST) Not used on this product
50		1		Pedal, Brake R.H. (HST) Not used on this product
51	MA-19631845AG0	1		Pedal, Clutch (Gear)
52	MA-19631846000	1		Rod, Clutch (Gear)
53	MA-05621114035	1		Pin, Clevis (Gear)
54	MA-05200140025	1		Pin, Split (Gear)
55	MA-A6513100300	2	S	Grease, Nipple
56	MA-07961025200	4		Bushing
57	MA-07310102510	AR	/P	Liner



7205 Tractor
C/B Control - HST

Page 19 of 219

Ref #	Part Number	Qty	S/P/F	Description
1	MA-19631805AG0	1		Shaft, Brake
2	MA-19631807AG1	1		Pedal, Clutch (HST)
3	MA-19631809000	1		Rod, Clutch (HST)
4	MA-19631811000	1		Pin
5		1		Pedal, Brake L.H. (Gear) Not used on this product
6	MA-11931812000	3		Cover, Pedal
7	MA-19631816000	1		Pin, Spring
8		1		Pedal, Brake R.H. (Gear) Not used on this product
9	MA-19631819000	2		Rod, Brake A
10	MA-19631821000	2		Shaft, Link
12	MA-A0730124001	2		Nut
13	MA-19631823AG0	1		Link, Brake L.H.
14	MA-19631825AG0	1		Link, Brake R.H.
15	MA-19631826000	2		Rod, Brake B
16	MA-A3030110002	2		Nut
18	MA-10072222000	2		Joint
19	MA-10251711000	2		Joint
20	MA-05620108025	6		Pin, Clevis
21	MA-05620110030	1		Pin, Clevis (HST)
22	MA-05200130020	1		Pin, Split (HST)
23	MA-19631839AG1	1		Lever, Parking Spring
24	MA-27141917000	3		Spring
25	MA-11352230000	1		Spring
26	MA-F1540108025	1		Bolt
28	MA-07310101204	AR		Liner t=0.4
29	MA-03500160826	1		Washer
30	MA-67700-26000	1		Collar
31	MA-35155086100	1		Collar
32	MA-A3030112002	2		Nut
33	MA-A3600101202	1		Washer
34	MA-14212284000	1		Grip
35	MA-19631843001	1		Hook, Clutch Pedal
36	MA-19641842001	1		Bolt, Stopper
37	MA-A3030110002	1		Nut
38	MA-35011788000	1		Rubber, Edge
41	MA-05200125020	8		Pin, Split
42	MA-07400002500	3	/P	Ring
43	MA-05620108030	2		Pin, Clevis
44	MA-03500130815	2		Washer
45	MA-07400102200	2		Ring
48	MA-19631848AG1	1		Pedal, Brake L.H. (HST)
50	MA-19631849AG0	1	/P	Pedal, Brake R.H. (HST)
51		1		Pedal, Clutch (Gear) Not used on this product
52		1		Rod, Clutch (Gear) Not used on this product
53		1		Pin, Clevis (Gear) Not used on this product
54		1		Pin, Split (Gear) Not used on this product
55	MA-A6513100300	2	S	Grease, Nipple
56	MA-07961025200	4		Bushing
57	MA-07310102510	AR	/P	Liner

