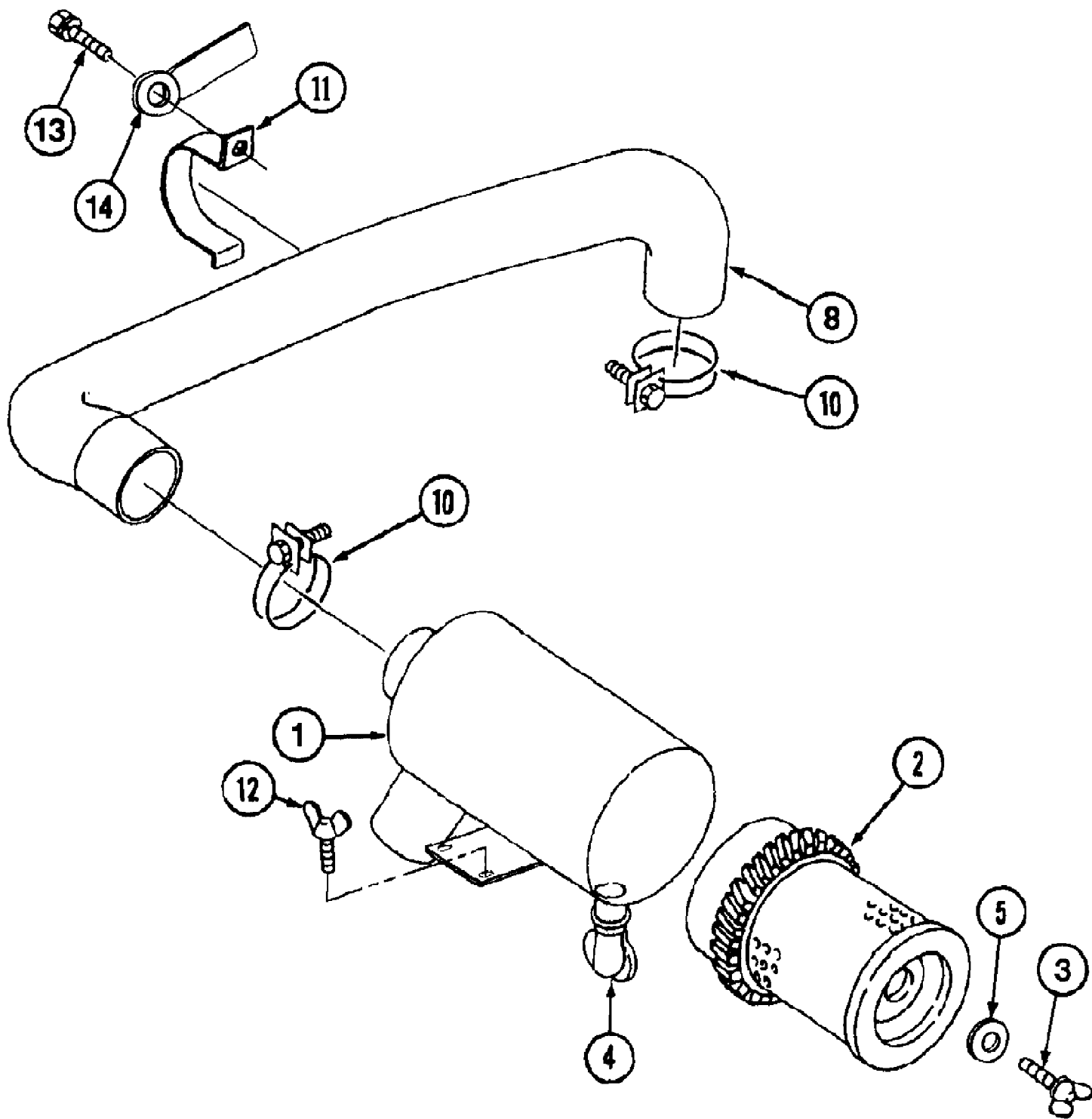




7200 Tractor  
3 Point Linkage

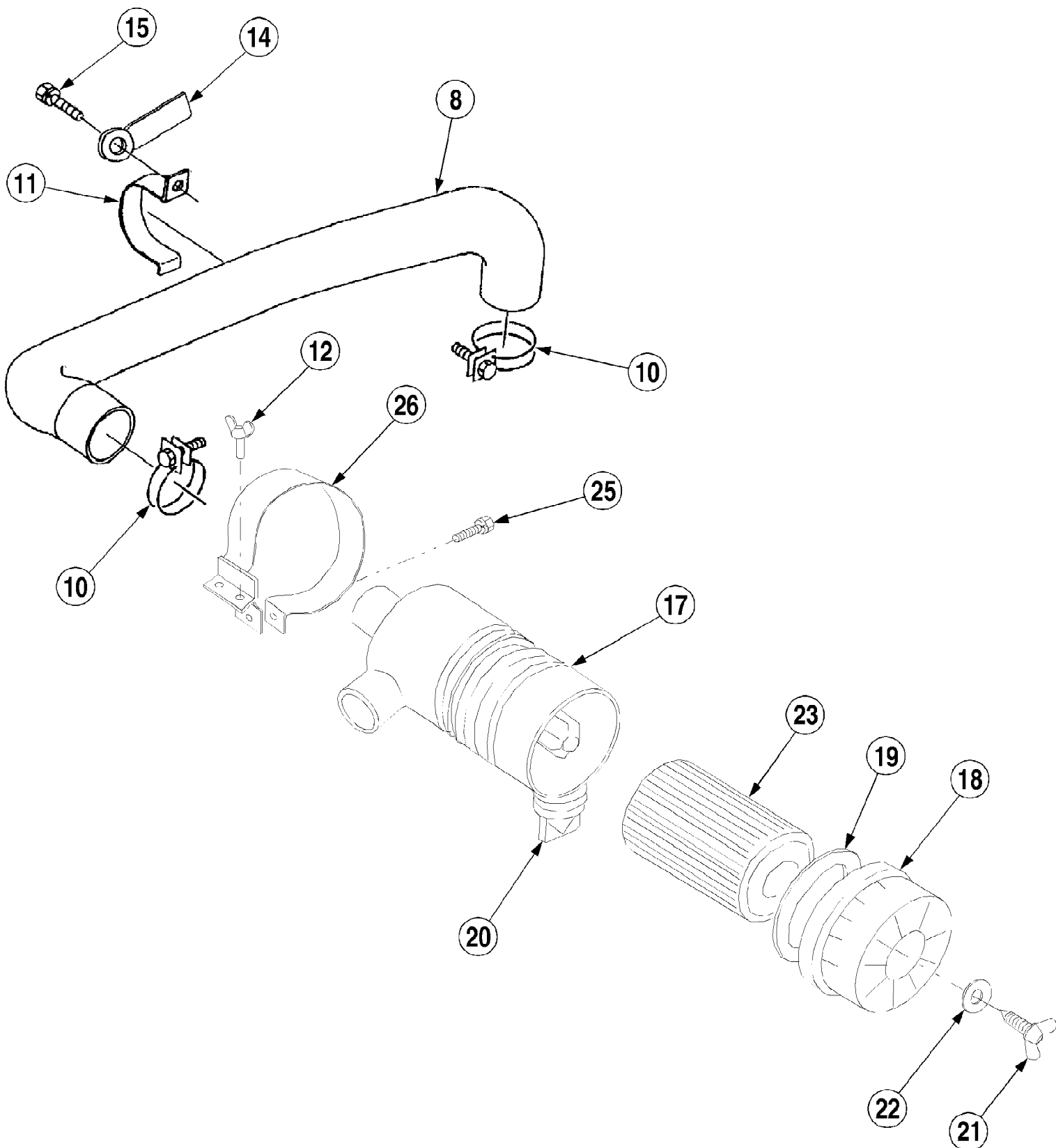
Page 2 of 219

| Ref # | Part Number    | Qty | S/P/F | Description                          |
|-------|----------------|-----|-------|--------------------------------------|
| 1     | MA-19633001AG0 | 1   |       | Bracket, L.H.                        |
| 2     | MA-19633002AG0 | 1   |       | Bracket, R.H.                        |
| 3     | MA-19633003AG0 | 2   |       | Bracket                              |
| 4     | MA-F1540112030 | 4   |       | Bolt                                 |
|       | MA-19633005AG0 | 1   |       | 3P Sub Ass'y. Includes 6-42          |
| 6     | MA-19633006AG0 | 2   |       | Link, Lower                          |
| 7     | MA-19633007AG0 | 1   |       | Rod, Lift L.H.                       |
|       | MA-19633011AG0 | 1   |       | Rod, Lift R.H. Ass'y. Includes 10-13 |
| 10    | MA-19633012AG0 | 1   | /P    | Rod A                                |
| 11    | MA-10323025AG0 | 1   | /P    | Lift Rod, Middle                     |
| 12    | MA-19633014AG0 | 1   |       | Rod B                                |
| 13    | MA-10323024000 | 1   | S     | Nut, Lock                            |
|       | MA-19633016000 | 2   |       | Check Chain Ass'y. Includes 16-19    |
| 16    | MA-19633017000 | 2   | /P    | Chain A                              |
| 17    | MA-19633018000 | 2   |       | Chain B                              |
| 18    | MA-19633019AG0 | 2   | /P    | Turnbuckle                           |
| 19    | MA-A3000112002 | 2   |       | Nut                                  |
| 21    | MA-A3600101602 | 2   |       | Washer                               |
| 22    | MA-A3040116002 | 2   |       | Nut                                  |
| 23    | MA-19633021000 | 2   |       | Pin, Clevis                          |
| 24    | MA-05200130020 | 2   |       | Pin, Split                           |
| 26    | MA-10323018001 | 2   | /P    | Pin, Lift Rod                        |
| 27    | MA-10323019000 | 2   |       | Pin, Snap                            |
| 28    | MA-19633024000 | 1   |       | Band                                 |
| 29    | MA-10323012000 | 6   |       | Linch Pin                            |
| 30    | MA-10323016000 | 2   |       | Washer                               |
|       | MA-19633026AG0 | 1   | /P    | Top Link Ass'y. Includes 32-35       |
| 32    | MA-19633027AG0 | 1   |       | Turnbuckle                           |
| 33    | MA-19633028AG0 | 1   |       | Adjuster                             |
| 34    | MA-19633029000 | 1   |       | Nut                                  |
| 35    | MA-19633036AG0 | 1   |       | Adjuster                             |
| 38    | MA-19633037000 | 1   |       | Pin, Upper Link                      |
| 39    | MA-10323012000 | 1   |       | Linch Pin                            |
| 41    | MA-19633038000 | 1   |       | Pin                                  |
| 42    | MA-19633041000 | 1   |       | Pin, Snap                            |
| 43    | MA-19633031000 | 1   |       | Hook, Top Link                       |
| 45    | MA-19633034AG0 | 1   | S     | Cover, PTO                           |
| 46    | MA-F1540112025 | 2   |       | Bolt                                 |



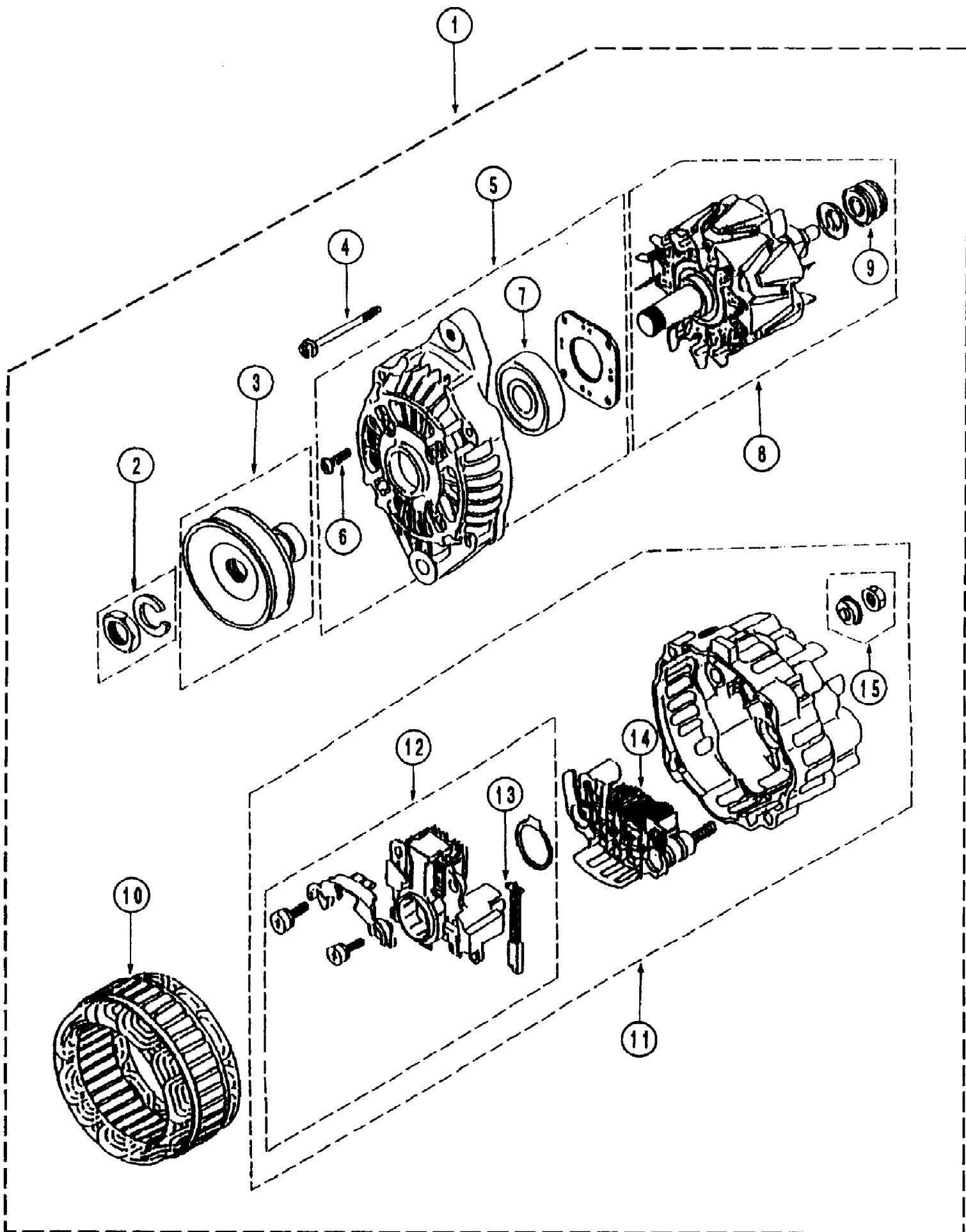
7200 Tractor  
Air Cleaner SN 21677 & below

| Ref # | Part Number    | Qty | S/P/F | Description                      |
|-------|----------------|-----|-------|----------------------------------|
|       | MA-19630511000 | 1   |       | Air Cleaner Includes Items 1 - 5 |
| 1     | MA-10320521100 | 1   |       | Case Ass'y.                      |
| 2     | MA-10300511200 | 1   |       | Element                          |
| 3     | MA-36610304000 | 1   |       | Bolt Ass'y., Wing                |
| 4     | MA-10300511300 | 1   |       | Valve                            |
| 5     | MA-19820021110 | 1   |       | Washer, Seal                     |
| 8     | MA-19630512001 | 1   |       | Hose Air                         |
| 10    | MA-00501100560 | 2   |       | Band, Hose                       |
| 11    | MA-19630513000 | 1   |       | Clamp                            |
| 12    | MA-14141454000 | 1   |       | Bolt, Wing                       |
| 13    | MA-F1540108020 | 1   | F     | Bolt                             |
|       | MA-H1540108020 | 1   | F     | Bolt                             |
| 14    | MA-00502108083 | 1   | F     | Clamp                            |



7200 Tractor  
Air Cleaner SN 21678 & above

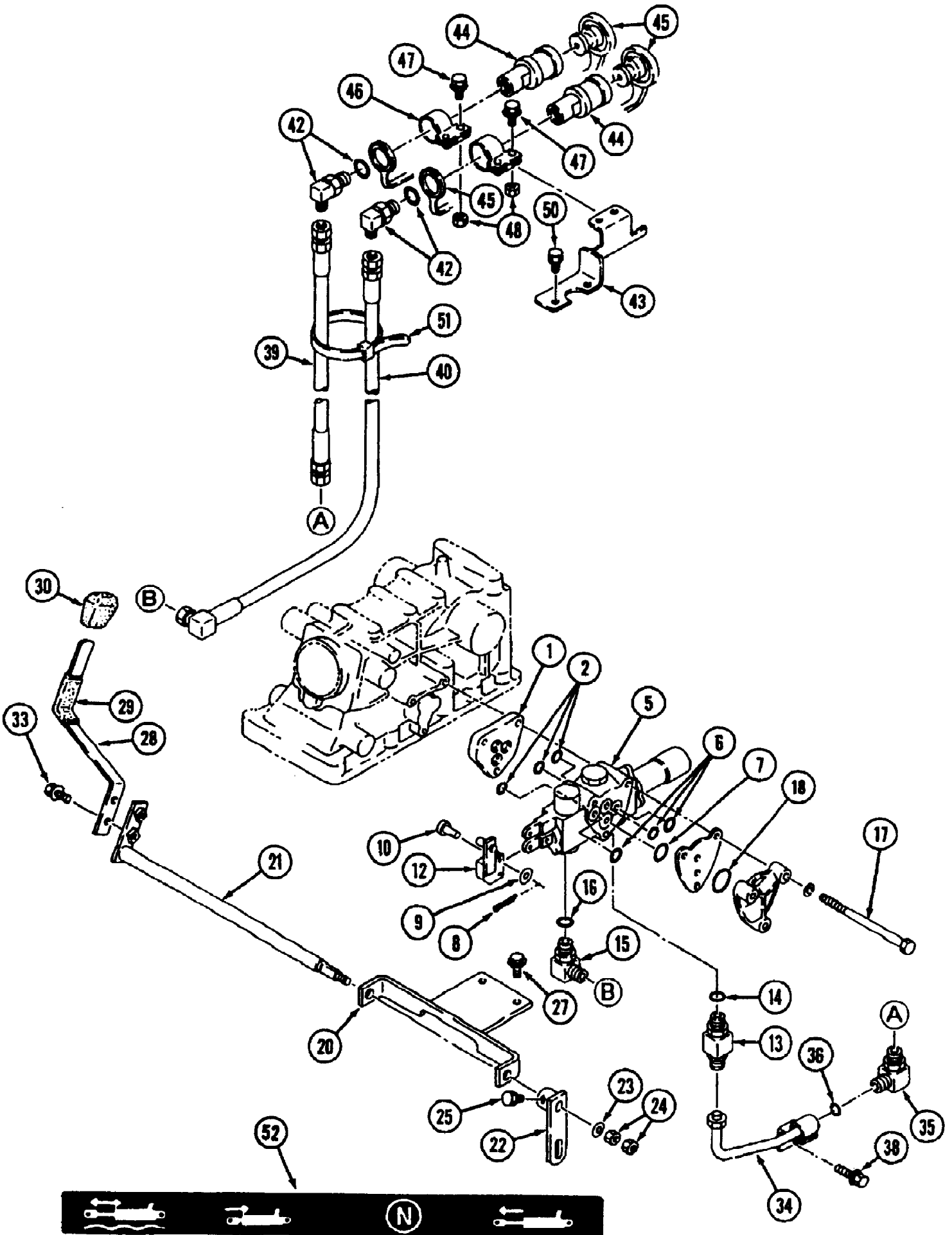
| Ref # | Part Number    | Qty | S/P/F | Description                                |
|-------|----------------|-----|-------|--|
|       | MA-19670511000 | 1   |       | Air Cleaner Assembly (Includes item 17-23) |
| 8     | MA-19630512001 | 1   |       | Hose, Air                                  |
| 10    | MA-00501100560 | 2   |       | Band, Hose                                 |
| 11    | MA-19630513000 | 1   |       | Clamp                                      |
| 12    | MA-14141454000 | 1   |       | Bolt, Wing                                 |
| 14    | MA-00502108083 | 1   |       | Clamp                                      |
| 15    | MA-H1540108020 | 1   |       | Bolt                                       |
| 17    | N/A            | 1   |       | Case                                       |
| 18    | MA-35460501200 | 1   |       | Cap  |
| 19    | MA-35460501300 | 1   |       | Gasket                                     |
| 20    | MA-35460501400 | 1   |       | Valve                                      |
| 21    | MA-35460501500 | 1   |       | Bolt Ass'y., Wing                          |
| 22    | MA-35460501600 | 1   |       | Washer, Seal                               |
| 23    | MA-35460501800 | 1   | F     | Element                                    |
| 25    | MA-F1540108030 | 1   |       | Bolt                                       |
| 26    | MA-19670512AG0 | 1   |       | Band                                       |



7200 Tractor  
 Alternator

| Ref # | Part Number    | Qty | S/P/F | Description          |
|-------|----------------|-----|-------|----------------------|
| 1     | MA-31A68-00401 | 1   | S     | Alternator Ass'y     |
| 2     | MA-A981X20771  | 1   |       | Nut Set              |
| 3     | MA-A628T62170  | 1   |       | Pulley Ass'y         |
| 4     | MA-A414X19271  | 1   |       | Bolt Set             |
| 5     | MA-A640T52770  | 1   |       | Bracket Ass'y, Front |
| 6     | MA-A414X21271  | 1   |       | Screw Set            |
| 7     | MA-S930P18870  | 1   |       | Bearing, Front       |
| 8     | MA-A880T65470  | 1   |       | Rotor Ass'y          |
| 9     | MA-S930P63670  | 1   |       | Bearing, Rear        |
| 10    | MA-A383T46370  | 1   |       | Starter Ass'y        |
| 11    | MA-A642X25570  | 1   |       | Bracket Ass'y, Rear  |
| 12    | MA-A866X28472  | 1   |       | Regulator Set        |
| 13    | MA-A647X50170  | 2   | /P    | Brush Set            |
| 14    | MA-A860T40670  | 1   |       | Rectifier Ass'y      |
| 15    | MA-A529X07871  | 1   |       | Nut Set              |



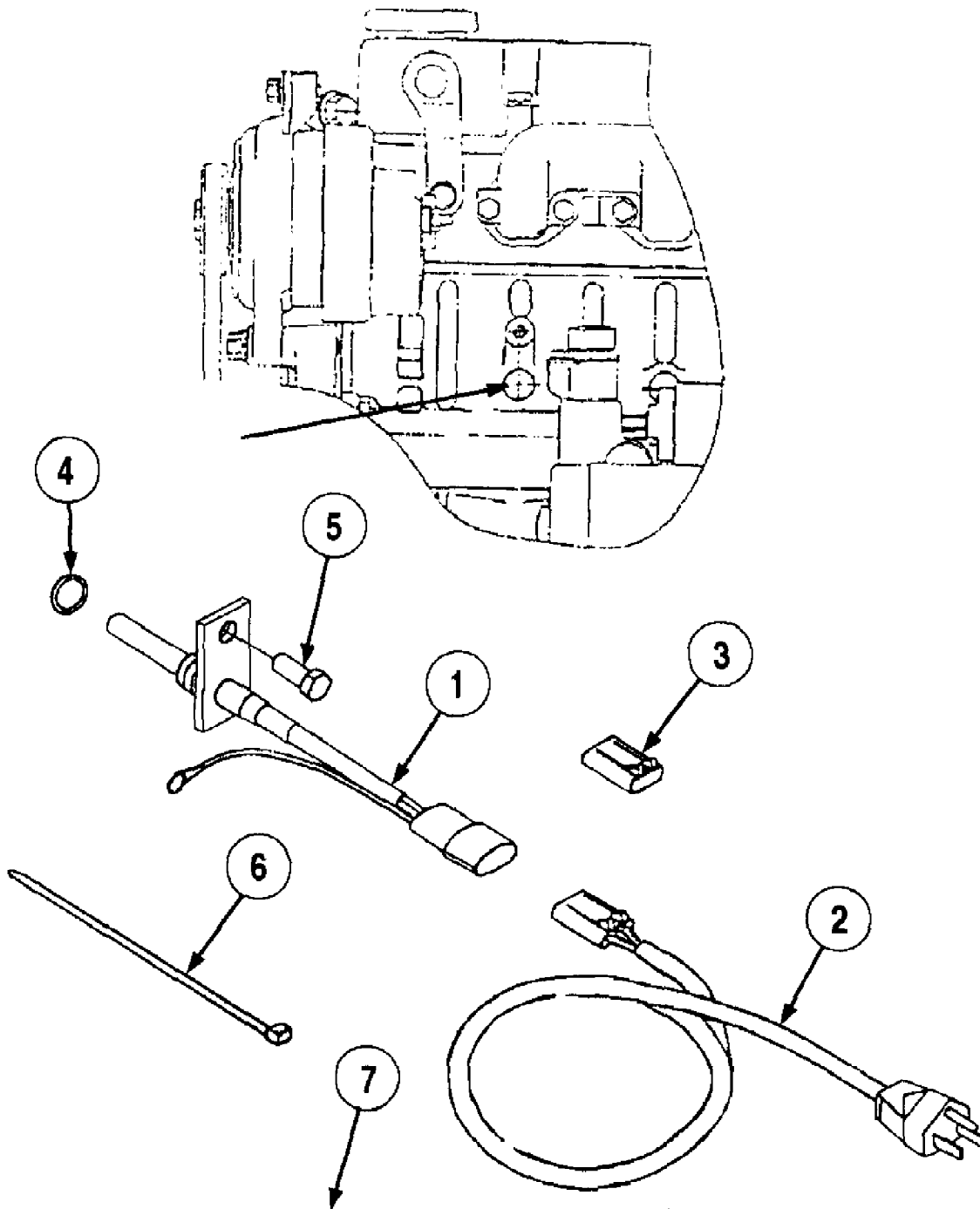


ON LEVER GUIDE R H

7200 Tractor  
Auxiliary Valve Kit

Page 10 of 219

| Ref # | Part Number    | Qty | S/P/F | Description                 |
|-------|----------------|-----|-------|-----------------------------|
| 1     | MA-12185026000 | 1   |       | Spacer                      |
| 2     | MA-08301100120 | 3   | /P    | O-Ring                      |
|       | MA-19632482AG0 | 1   |       | Sub Valve Includes 5-10     |
| 5     |                | 1   |       | Body                        |
| 6     | MA-08300100120 | 3   | S     | O-Ring                      |
| 7     | MA-08300100160 | 1   | /P    | O-Ring                      |
| 8     | MA-05200112008 | 3   |       | Pin, Split                  |
| 9     | MA-03500120512 | 3   |       | Washer                      |
| 10    | MA-11556501270 | 3   |       | Pin, Clevis                 |
| 12    | MA-19632483000 | 1   |       | Arm                         |
| 13    | MA-06203112171 | 1   |       | Body (Nipple)               |
| 14    | MA-08301100140 | 1   |       | O-Ring                      |
| 15    | MA-06313117170 | 1   |       | Elbow 90 Includes 15,16     |
| 16    | MA-08300100140 | 1   |       | O-Ring                      |
| 17    | MA-A0540108095 | 3   |       | Bolt                        |
| 18    | MA-A3600100802 | 3   |       | Washer                      |
| 20    | MA-19632484AG0 | 1   |       | Bracket                     |
| 21    | MA-19632486000 | 1   |       | Shaft                       |
| 22    | MA-19632487000 | 1   |       | Arm                         |
| 23    | MA-03500140818 | 1   |       | Washer                      |
| 24    | MA-A3010108002 | 2   |       | Nut                         |
| 25    | MA-A0500108012 | 1   |       | Bolt                        |
| 27    | MA-F1550110025 | 2   |       | Bolt                        |
|       | MA-19632488AG0 | 1   |       | Lever Ass'y. Includes 28,29 |
| 28    |                | 1   |       | Lever                       |
| 29    | MA-19632439000 | 1   |       | Tube                        |
| 30    | MA-11742449000 | 1   |       | Grip                        |
| 33    | MA-H1540108016 | 2   |       | Bolt                        |
| 34    | MA-19632490AG0 | 1   |       | Pipe Press. Ass'y.          |
| 35    | MA-06313117170 | 1   |       | Elbow 90 Includes 35,36     |
| 36    | MA-08300100140 | 1   |       | O-Ring                      |
| 38    | MA-H1550110016 | 1   |       | Bolt                        |
| 39    | MA-19632492000 | 1   |       | Hose Ass'y.                 |
| 40    | MA-19632493000 | 1   |       | Hose Ass'y.                 |
| 42    | MA-19632494000 | 2   |       | Fitting                     |
| 43    | MA-19632496AG0 | 1   |       | Bracket                     |
| 44    | 727-3093       | 2   | S     | Coupling                    |
| 45    | 731-3177       | 2   |       | Plug/A                      |
| 46    | MA-12185264000 | 2   |       | Clamp, Coupler              |
| 47    | MA-H1540108020 | 4   |       | Bolt                        |
| 48    | MA-F3010108001 | 4   |       | Nut                         |
| 50    | MA-F1540108012 | 2   |       | Bolt                        |
| 51    | MA-00511070070 | 1   |       | Band, Wire                  |
| 52    | MA-19632753000 | 1   |       | Label, Aux. Valve           |



**BLOCK HEATER SET UP INSTRUCTIONS**

**Before Use:**

1. Read the instructions carefully.
2. Make sure the power cord is plugged into a grounded outlet.
3. Do not use the heater if the power cord is damaged or if the plug is loose.
4. Do not use the heater if the engine oil level is low.
5. Do not use the heater if the engine is hot.
6. Do not use the heater if the engine is running.
7. Do not use the heater if the engine is under load.
8. Do not use the heater if the engine is in a confined space.
9. Do not use the heater if the engine is in a poorly ventilated area.
10. Do not use the heater if the engine is in a flammable area.
11. Do not use the heater if the engine is in a hazardous area.
12. Do not use the heater if the engine is in a restricted access area.
13. Do not use the heater if the engine is in a restricted access area.
14. Do not use the heater if the engine is in a restricted access area.
15. Do not use the heater if the engine is in a restricted access area.

**Installation of the Block Heater:**

1. Remove the engine cover.
2. Locate the block heater mounting bracket.
3. Insert the bolt (6) through the mounting bracket and the engine block.
4. Tighten the nut (5) on the bolt.
5. Insert the washer (7) and the O-ring (4) into the block heater.
6. Plug the power cord (2) into the plug (3).

**Operation:**

1. Plug the power cord into a grounded outlet.
2. Turn the power switch on.
3. Allow the heater to run for the recommended time.
4. Turn the power switch off.
5. Remove the power cord.

| Part Number | Description           | Quantity |
|-------------|-----------------------|----------|
| 1           | Block Heater Assembly | 1        |
| 2           | Power Cord            | 1        |
| 3           | Plug                  | 1        |
| 4           | O-Ring                | 1        |
| 5           | Nut                   | 1        |
| 6           | Bolt                  | 1        |
| 7           | Washer                | 1        |

7200 Tractor  
Block Heater (Optional)

| Ref # | Part Number    | Qty | S/P/F | Description              |
|-------|----------------|-----|-------|--------------------------|
| 1     |                | 1   |       | Heater, Water (NSS)      |
| 2     | MA-31A90-03200 | 1   |       | Cable Ass'y.             |
| 3     | MA-31A90-03300 | 1   |       | Connector                |
| 4     | MA-F3150-01600 | 1   | S     | O-Ring                   |
| 5     | MA-MF241252    | 1   |       | Bolt                     |
| 6     | MA-00511070070 | 1   |       | Band Wire                |
| 7     |                | 1   |       | Installation Chart (NSS) |
|       | MA-19670050000 | 1   |       | Block Heater Kit         |



7200 Tractor  
Bonnet (Hood)

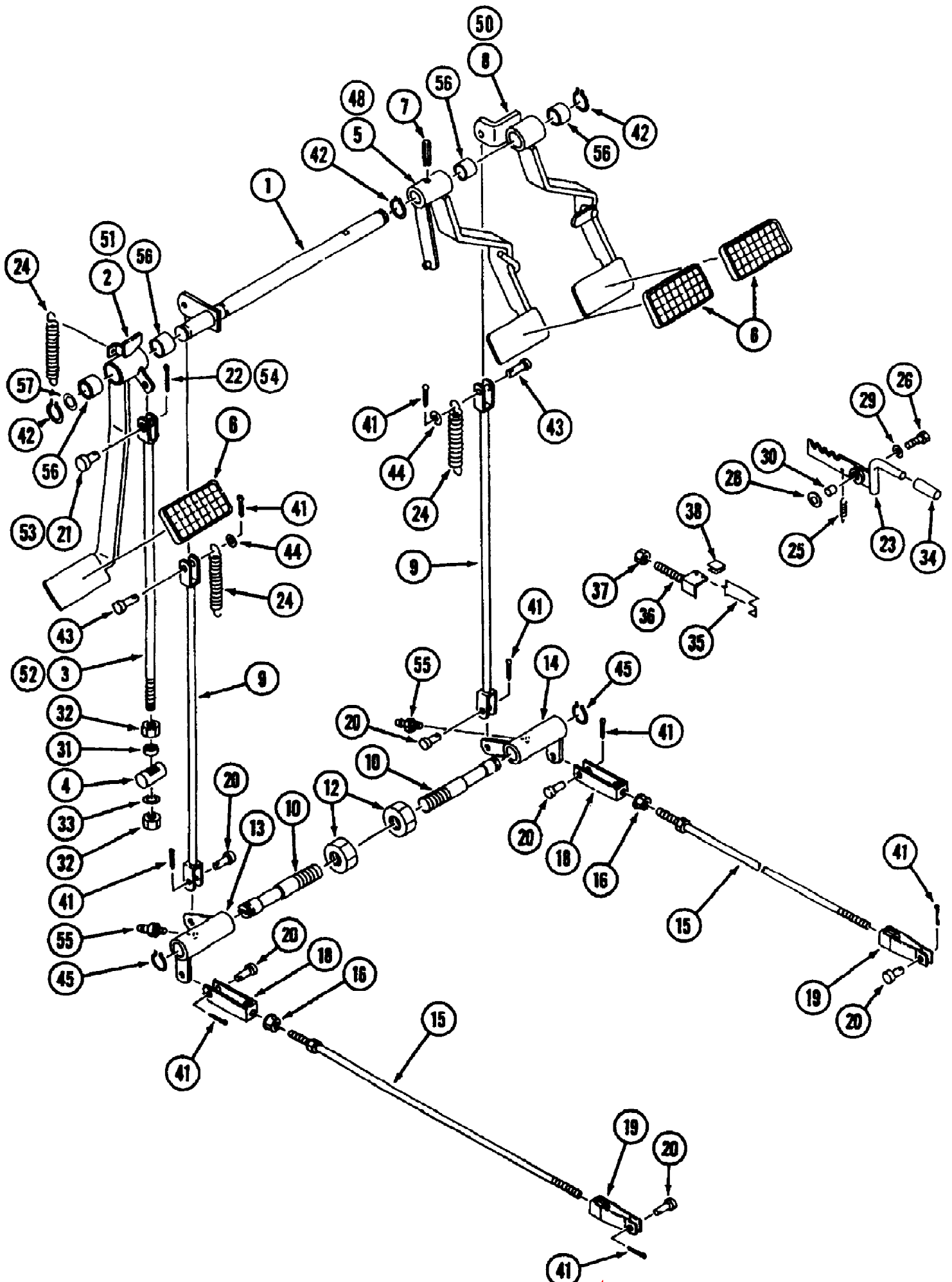
Page 14 of 219

| Ref # | Part Number    | Qty | S/P/F | Description                              |
|-------|----------------|-----|-------|--|
| 1     | MA-19632613000 | 1   |       | Bracket                                  |
| 2     | MA-H1540108020 | 3   |       | Bolt                                     |
| 4     | MA-19672615000 | 1   |       | Cushion                                  |
| 5     | MA-11930439000 | 6   |       | Grommet                                  |
| 6     | MA-67700-26000 | 4   |       | Collar                                   |
| 7     | MA-H1540108025 | 4   |       | Bolt                                     |
| 8     | MA-19672618BC0 | 1   |       | Cover, Side L.H.                         |
| 9     | MA-19672619BC0 | 1   |       | Cover, Side R.H.                         |
| 10    | MA-19632623000 | 2   |       | Cushion                                  |
| 12    | MA-F3000106000 | 2   | F     | Nut Used with Body Panel MA-19672612BC1. |
| 13    | MA-19632617000 | 1   |       | Plate                                    |
| 14    | MA-F3010108001 | 2   |       | Nut                                      |
| 15    | MA-10192598300 | 2   | S     | Cushion                                  |
| 16    | MA-MA911822000 | 2   | S     | Rubber, Cushion                          |
| 17    | MA-19632017000 | 1   |       | Cushion                                  |
| 18    | MA-19632621AG0 | 2   |       | Bracket                                  |
| 19    | MA-11740217001 | 2   |       | Grommet                                  |
| 22    | MA-10322629001 | 4   | /P    | Hook                                     |
| 23    | MA-05200130032 | 4   |       | Pin, Split                               |
| 24    | MA-10322631000 | 2   |       | Bracket A                                |
| 25    | MA-10322632000 | 2   |       | Bracket B                                |
| 26    | MA-H1540108016 | 4   |       | Bolt                                     |
| 28    | MA-19672633BC1 | 1   |       | Hood, Bonnet                             |
| 29    | MA-10382631000 | 1   |       | Cushion                                  |
| 30    | MA-19632634000 | 1   |       | Cushion                                  |
| 31    | MA-H1840108020 | 2   |       | Bolt                                     |
| 32    | MA-11910414000 | 1   |       | Clip                                     |
| 33    | MA-H1440106016 | 1   | /P    | Bolt                                     |
| 34    | MA-19632642000 | 1   |       | Rod, Stopper                             |
| 35    | MA-05200125016 | 1   | S     | Pin, Split                               |
| 36    | MA-H1540108016 | 2   |       | Bolt                                     |
| 37    | MA-19632636000 | 1   |       | Bracket, Lever                           |
| 41    | MA-19740722000 | 1   |       | Spring                                   |
| 42    | MA-19632637BC0 | 1   |       | Lever                                    |
| 43    | MA-05500003032 | 1   |       | Pin, Spring                              |
| 45    | MA-19672645000 | 1   |       | Grille                                   |
| 46    | MA-19632655000 | 1   |       | Cover, Lamp L.H.                         |
| 47    | MA-19632656000 | 1   |       | Cover, Lamp R.H.                         |
| 49    | MA-19672646AG0 | 1   | /P    | Screen                                   |
| 50    | MA-H1440106016 | 2   | /P    | Bolt                                     |
| 51    | MA-A3000106002 | 2   |       | Nut                                      |
| 52    | MA-19672647AG0 | 1   | /P    | Screen                                   |
| 53    | MA-04322105010 | 8   |       | Screw                                    |
| 54    | MA-35187645500 | 2   |       | Seal                                     |
| 55    | MA-43630642000 | 2   |       | Rubber                                   |
| 57    | MA-19632651BC0 | 1   | S     | Support, Grille                          |
| 58    | MA-10212626000 | 2   |       | Screw, Tapping                           |
| 59    | MA-A2520706012 | 2   |       | Screw                                    |
| 60    | MA-H1440106016 | 2   | /P    | Bolt                                     |
| 61    | MA-F1440106016 | 2   |       | Bolt                                     |
| 62    | MA-03500150622 | 2   |       | Washer                                   |
| 64    | MA-19672611000 | 1   |       | Cover                                    |
| 65    | MA-19672611102 | 1   |       | Cover                                    |

7200 Tractor  
Bonnet (Hood)

Page 15 of 219

| Ref # | Part Number    | Qty | S/P/F | Description                                   |
|-------|----------------|-----|-------|---|
| 66    | MA-19672612BC0 | 1   | F     | Body, Panel                                   |
|       | MA-19672612BC1 | 1   | F     | Body, Panel                                   |
| 67    | MA-19672613000 | 1   |       | Bracket                                       |
| 68    | MA-19672614000 | 1   |       | Cover, Panel Rear                             |
| 69    | MA-H1640406016 | 3   |       | Bolt  |
| 70    | MA-19672616001 | 1   | F     | Plate Used with Body Panel<br>MA-19672612BC1. |
| 71    | MA-37364709500 | 1   |       | Plate   |
| 72    | MA-19672621000 | 2   |       | Mark  |
| 73    | MA-19672616000 | 1   | F     | Plate Used with Body Panel<br>MA-19672612BC0. |
| 74    | MA-H1440106012 | 2   | F     | Bolt Used with Body Panel MA-19672612BC0.     |

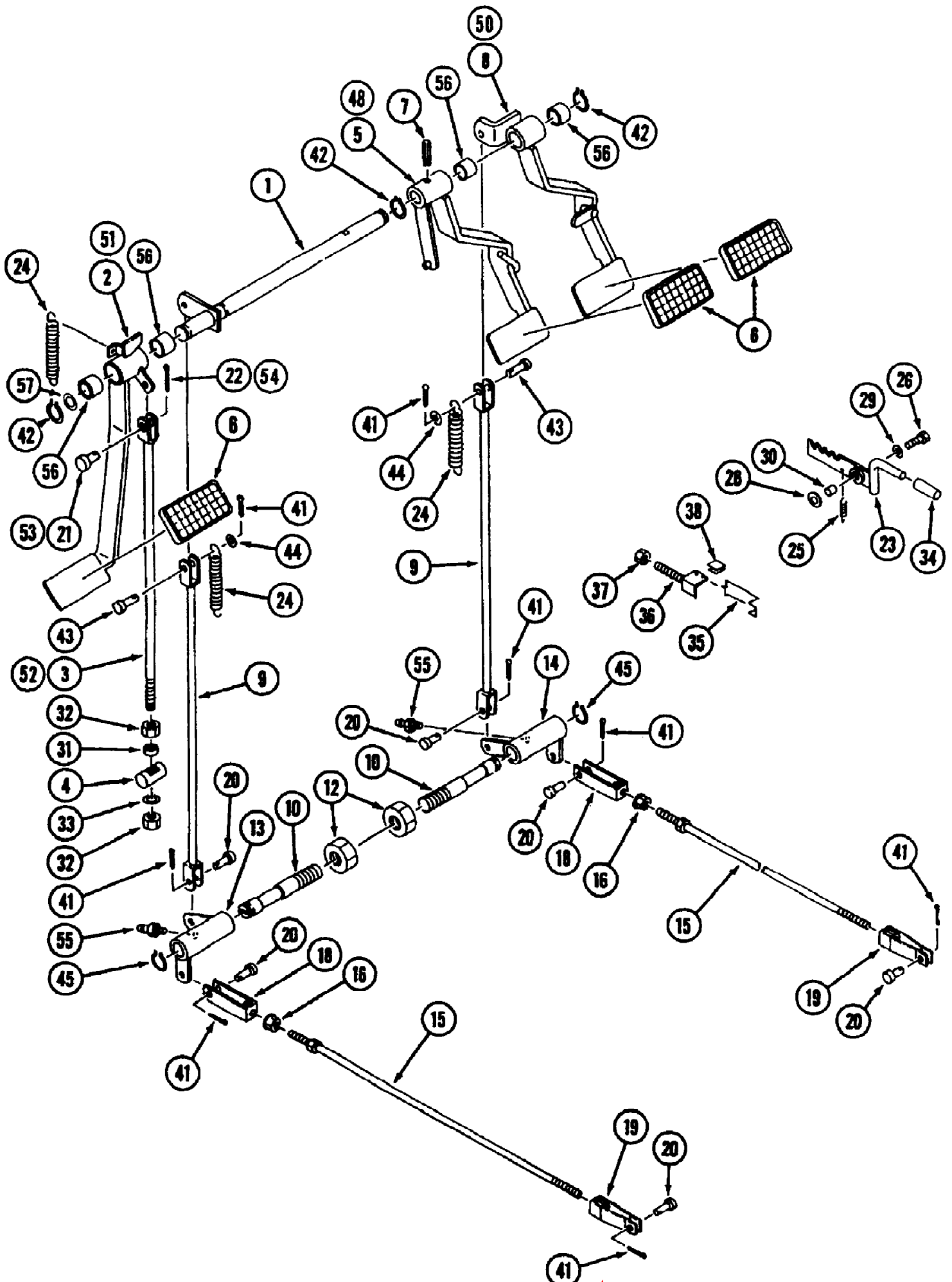




7200 Tractor  
C/B Control - Gear Drive (Dual)

Page 17 of 219

| Ref # | Part Number    | Qty | S/P/F | Description                                      |
|-------|----------------|-----|-------|--|
| 1     | MA-19631805AG0 | 1   |       | Shaft, Brake                                     |
| 2     |                | 1   |       | Pedal, Clutch (HST) Not used on this product     |
| 3     |                | 1   |       | Rod, Clutch (HST) Not used on this product       |
| 4     | MA-19631811000 | 1   |       | Pin  |
| 5     | MA-19631815AG1 | 1   |       | Pedal, Brake L.H. (Gear)                         |
| 6     | MA-11931812000 | 3   |       | Cover, Pedal                                     |
| 7     | MA-19631816000 | 1   |       | Pin, Spring                                      |
| 8     | MA-19631817AG0 | 1   |       | Pedal, Brake R.H. (Gear)                         |
| 9     | MA-19631819000 | 2   |       | Rod, Brake A                                     |
| 10    | MA-19631821000 | 2   |       | Shaft, Link                                      |
| 12    | MA-A0730124001 | 2   |       | Nut  |
| 13    | MA-19631823AG0 | 1   |       | Link, Brake L.H.                                 |
| 14    | MA-19631825AG0 | 1   |       | Link, Brake R.H.                                 |
| 15    | MA-19631826000 | 2   |       | Rod, Brake B                                     |
| 16    | MA-A3030110002 | 2   |       | Nut  |
| 18    | MA-10072222000 | 2   |       | Joint  |
| 19    | MA-10251711000 | 2   |       | Joint  |
| 20    | MA-05620108025 | 6   |       | Pin, Clevis                                      |
| 21    |                | 1   |       | Pin, Clevis (HST) Not used on this product       |
| 22    |                | 1   |       | Pin, Split (HST) Not used on this product        |
| 23    | MA-19631839AG1 | 1   |       | Lever, Parking Spring                            |
| 24    | MA-27141917000 | 3   |       | Spring   |
| 25    | MA-11352230000 | 1   |       | Spring   |
| 26    | MA-F1540108025 | 1   |       | Bolt   |
| 28    | MA-07310101204 | AR  |       | Liner t=0.4                                      |
| 29    | MA-03500160826 | 1   |       | Washer   |
| 30    | MA-67700-26000 | 1   |       | Collar   |
| 31    | MA-35155086100 | 1   |       | Collar   |
| 32    | MA-A3030112002 | 2   |       | Nut  |
| 33    | MA-A3600101202 | 1   |       | Washer   |
| 34    | MA-14212284000 | 1   |       | Grip   |
| 35    | MA-19631843001 | 1   |       | Hook, Clutch Pedal                               |
| 36    | MA-19641842001 | 1   |       | Bolt, Stopper                                    |
| 37    | MA-A3030110002 | 1   |       | Nut  |
| 38    | MA-35011788000 | 1   |       | Rubber, Edge                                     |
| 41    | MA-05200125020 | 8   |       | Pin, Split                                       |
| 42    | MA-07400002500 | 3   | /P    | Ring   |
| 43    | MA-05620108030 | 2   |       | Pin, Clevis                                      |
| 44    | MA-03500130815 | 2   |       | Washer   |
| 45    | MA-07400102200 | 2   |       | Ring   |
| 48    |                | 1   |       | Pedal, Brake L.H. (HST) Not used on this product |
| 50    |                | 1   |       | Pedal, Brake R.H. (HST) Not used on this product |
| 51    | MA-19631845AG0 | 1   |       | Pedal, Clutch (Gear)                             |
| 52    | MA-19631846000 | 1   |       | Rod, Clutch (Gear)                               |
| 53    | MA-05621114035 | 1   |       | Pin, Clevis (Gear)                               |
| 54    | MA-05200140025 | 1   |       | Pin, Split (Gear)                                |
| 55    | MA-A6513100300 | 2   | S     | Grease, Nipple                                   |
| 56    | MA-07961025200 | 4   |       | Bushing  |
| 57    | MA-07310102510 | AR  | /P    | Liner  |



7200 Tractor  
C/B Control - HST

Page 19 of 219

| Ref # | Part Number    | Qty | S/P/F | Description                                       |
|-------|----------------|-----|-------|---|
| 1     | MA-19631805AG0 | 1   |       | Shaft, Brake                                      |
| 2     | MA-19631807AG1 | 1   |       | Pedal, Clutch (HST)                               |
| 3     | MA-19631809000 | 1   |       | Rod, Clutch (HST)                                 |
| 4     | MA-19631811000 | 1   |       | Pin   |
| 5     |                | 1   |       | Pedal, Brake L.H. (Gear) Not used on this product |
| 6     | MA-11931812000 | 3   |       | Cover, Pedal                                      |
| 7     | MA-19631816000 | 1   |       | Pin, Spring                                       |
| 8     |                | 1   |       | Pedal, Brake R.H. (Gear) Not used on this product |
| 9     | MA-19631819000 | 2   |       | Rod, Brake A                                      |
| 10    | MA-19631821000 | 2   |       | Shaft, Link                                       |
| 12    | MA-A0730124001 | 2   |       | Nut   |
| 13    | MA-19631823AG0 | 1   |       | Link, Brake L.H.                                  |
| 14    | MA-19631825AG0 | 1   |       | Link, Brake R.H.                                  |
| 15    | MA-19631826000 | 2   |       | Rod, Brake B                                      |
| 16    | MA-A3030110002 | 2   |       | Nut   |
| 18    | MA-10072222000 | 2   |       | Joint   |
| 19    | MA-10251711000 | 2   |       | Joint   |
| 20    | MA-05620108025 | 6   |       | Pin, Clevis                                       |
| 21    | MA-05620110030 | 1   |       | Pin, Clevis (HST)                                 |
| 22    | MA-05200130020 | 1   |       | Pin, Split (HST)                                  |
| 23    | MA-19631839AG1 | 1   |       | Lever, Parking Spring                             |
| 24    | MA-27141917000 | 3   |       | Spring  |
| 25    | MA-11352230000 | 1   |       | Spring  |
| 26    | MA-F1540108025 | 1   |       | Bolt  |
| 28    | MA-07310101204 | AR  |       | Liner t=0.4                                       |
| 29    | MA-03500160826 | 1   |       | Washer  |
| 30    | MA-67700-26000 | 1   |       | Collar  |
| 31    | MA-35155086100 | 1   |       | Collar  |
| 32    | MA-A3030112002 | 2   |       | Nut   |
| 33    | MA-A3600101202 | 1   |       | Washer  |
| 34    | MA-14212284000 | 1   |       | Grip  |
| 35    | MA-19631843001 | 1   |       | Hook, Clutch Pedal                                |
| 36    | MA-19641842001 | 1   |       | Bolt, Stopper                                     |
| 37    | MA-A3030110002 | 1   |       | Nut   |
| 38    | MA-35011788000 | 1   |       | Rubber, Edge                                      |
| 41    | MA-05200125020 | 8   |       | Pin, Split  |
| 42    | MA-07400002500 | 3   | /P    | Ring  |
| 43    | MA-05620108030 | 2   |       | Pin, Clevis                                       |
| 44    | MA-03500130815 | 2   |       | Washer  |
| 45    | MA-07400102200 | 2   |       | Ring  |
| 48    | MA-19631848AG1 | 1   |       | Pedal, Brake L.H. (HST)                           |
| 50    | MA-19631849AG0 | 1   | /P    | Pedal, Brake R.H. (HST)                           |
| 51    |                | 1   |       | Pedal, Clutch (Gear) Not used on this product     |
| 52    |                | 1   |       | Rod, Clutch (Gear) Not used on this product       |
| 53    |                | 1   |       | Pin, Clevis (Gear) Not used on this product       |
| 54    |                | 1   |       | Pin, Split (Gear) Not used on this product        |
| 55    | MA-A6513100300 | 2   | S     | Grease, Nipple                                    |
| 56    | MA-07961025200 | 4   |       | Bushing   |
| 57    | MA-07310102510 | AR  | /P    | Liner   |

