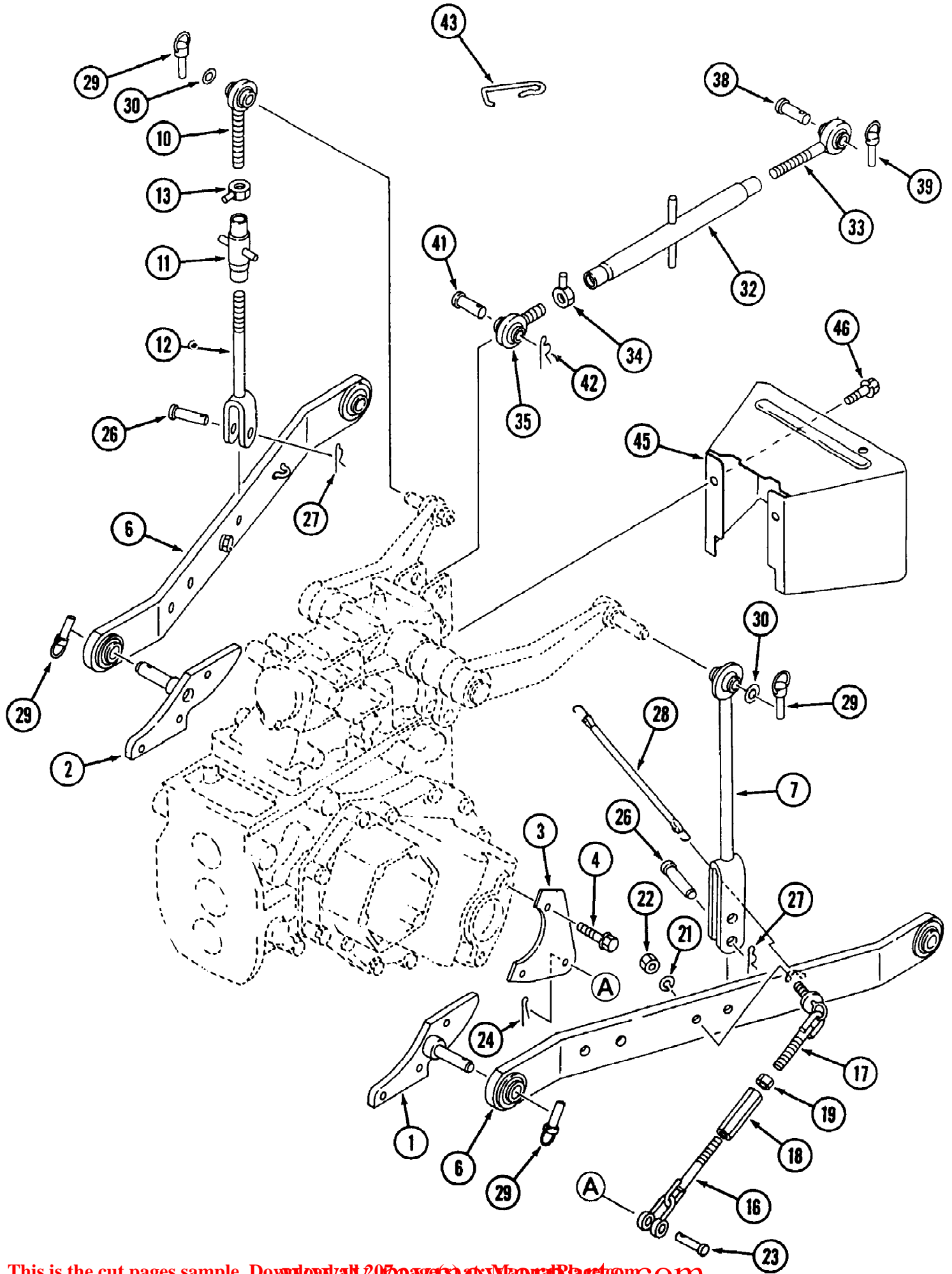


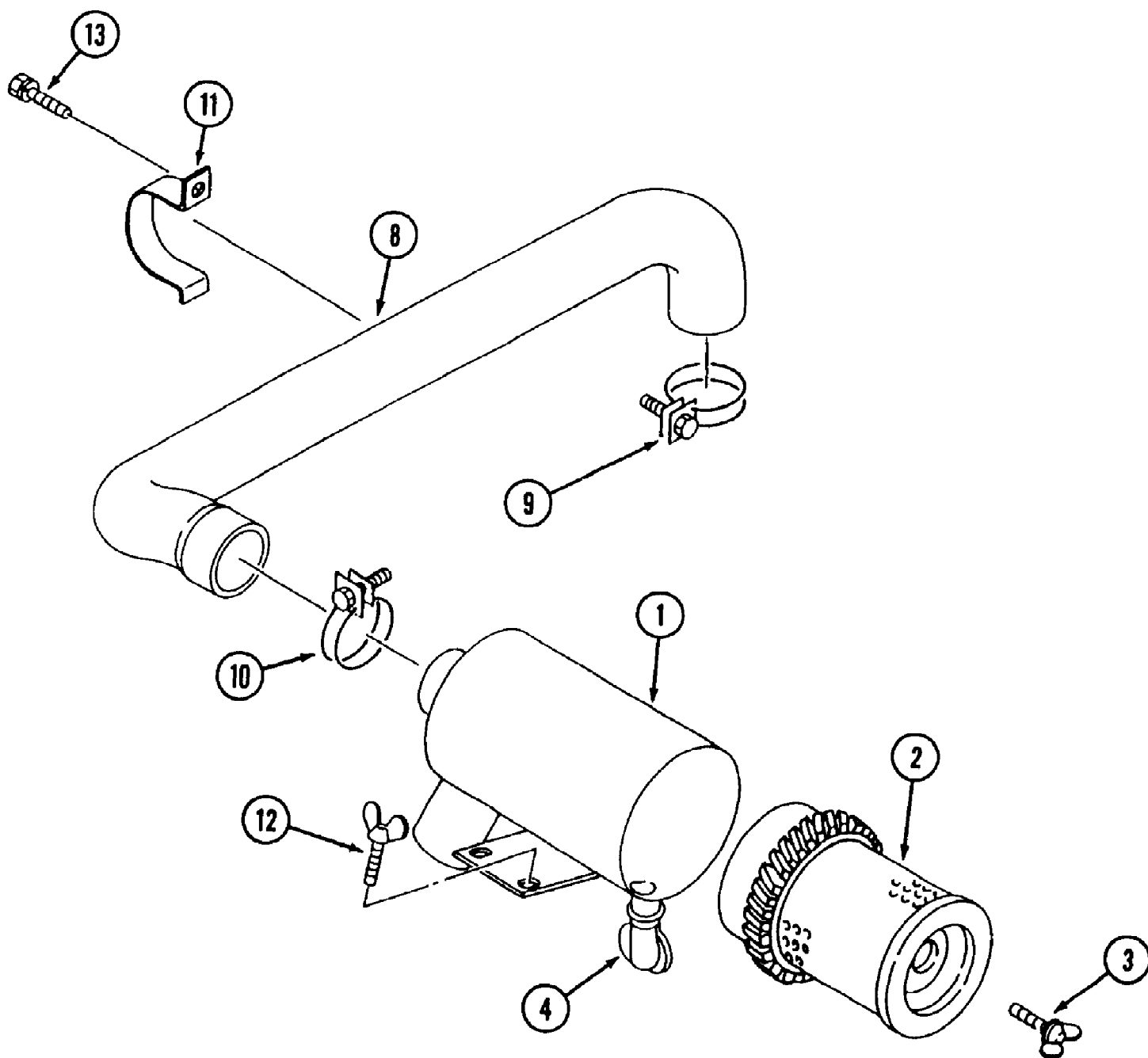
7192 Tractor  
3-Point Linkage



7192 Tractor  
3-Point Linkage

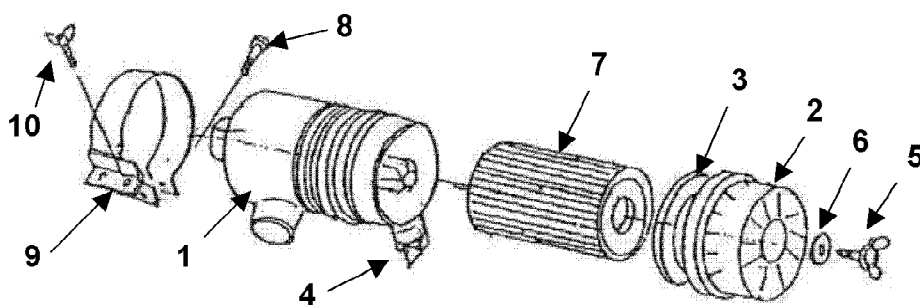
Page 2 of 207

Ref #	Part Number	Qty	S/P/F	Description
1	MA-19633001AG0	1		Bracket, L.H.
2	MA-19633002AG0	1		Bracket, R.H.
3	MA-19633003AG0	2		Bracket
4	MA-F1540112030	4		Bolt
6	MA-19633006AG0	2		Link, Lower
	MA-19633005AG0	1		3Pt Sub Ass'y. Includes Items No. 6 through 42
7	MA-19633007AG0	1		Rod, Lift L.H.
	MA-19633011AG0	1		Rod, Lift R.H. Ass'y. Includes Items No. 10 through 13
10	MA-19633012AG0	1	/P	Rod A
11	MA-10323025AG0	1	/P	Lift Rod, Middle
12	MA-19633014AG0	1		Rod B
13	MA-10323024000	1	S	Nut, Lock
	MA-19633016000	2		Check Chain Ass'y. Includes Items No. 16 through 19
16	MA-19633017000	2	/P	Chain A
17	MA-19633018000	2		Chain B
18	MA-19633019AG0	2	/P	Turnbuckle
19	MA-A3000112002	2		Nut
21	MA-A3600101602	2		Washer
22	MA-A3040116002	2		Nut
23	MA-19633021000	2		Pin, Clevis
24	MA-05200130020	2		Pin, Split
26	MA-10323018000	2	S	Pin, Lift Rod
27	MA-10323019000	2		Pin, Snap
28	MA-19633024000	1		Band
29	MA-10323012000	6		Linch Pin
30	MA-03500161836	2		Washer
	MA-19633026AG0	1	/P	Top Link Ass'y. Includes Items No. 32 through 35
32	MA-19633027AG0	1		Turnbuckle
33	MA-19633028AG0	1		Adjuster
34	MA-19633029000	1		Nut
35	MA-19633036AG0	1		Adjuster
38	MA-19633037000	1		Pin, Upper Link
39	MA-10323012000	1		Linch Pin
41	MA-19633038000	1		Pin
42	MA-19633041000	1		Pin, Snap
43	MA-19633031000	1		Hook
45	MA-19633034AG0	1	S	Cover, PTO
46	MA-F1540112025	2		Bolt



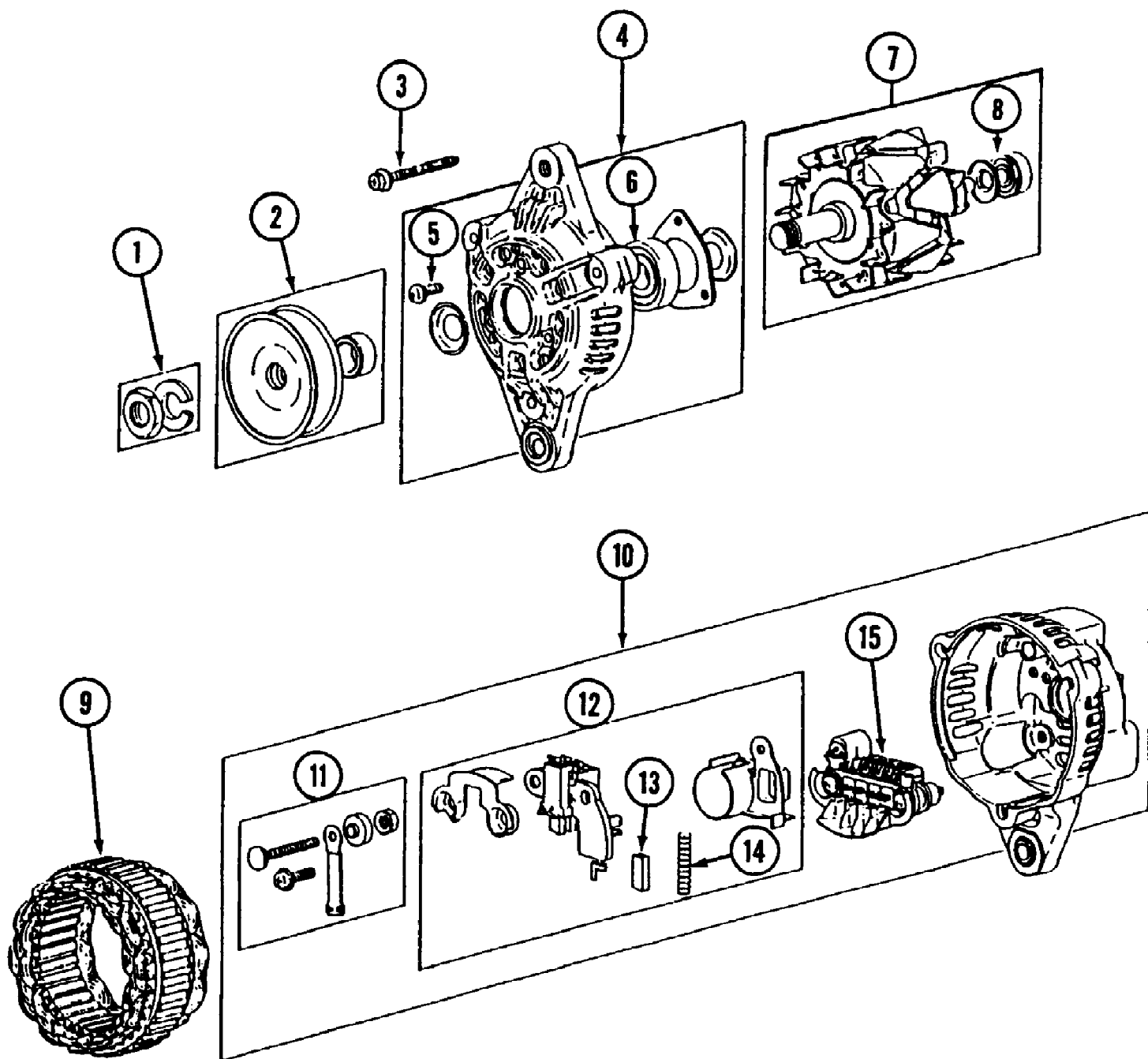
7192 Tractor  
Air Cleaner

Ref #	Part Number	Qty	S/P/F	Description
	MA-19630511000	1		Air Cleaner Includes Items No. 1 through 4
1	MA-10320521100	1		Case Ass'y.
2	MA-10300511200	1		Element
3	MA-36610304000	1		Bolt Ass'y., Wing
4	MA-10300511300	1		Valve
8	MA-19630512000	1		Hose Air
9	MA-00501100530	1		Band, Hose
10	MA-00501100560	1		Band,Hose
11	MA-19630513000	1		Clamp
12	MA-14141454000	1		Bolt, Wing
13	MA-F1540108020	1		Bolt



7192 Tractor  
Air Cleaner MA-19670511000

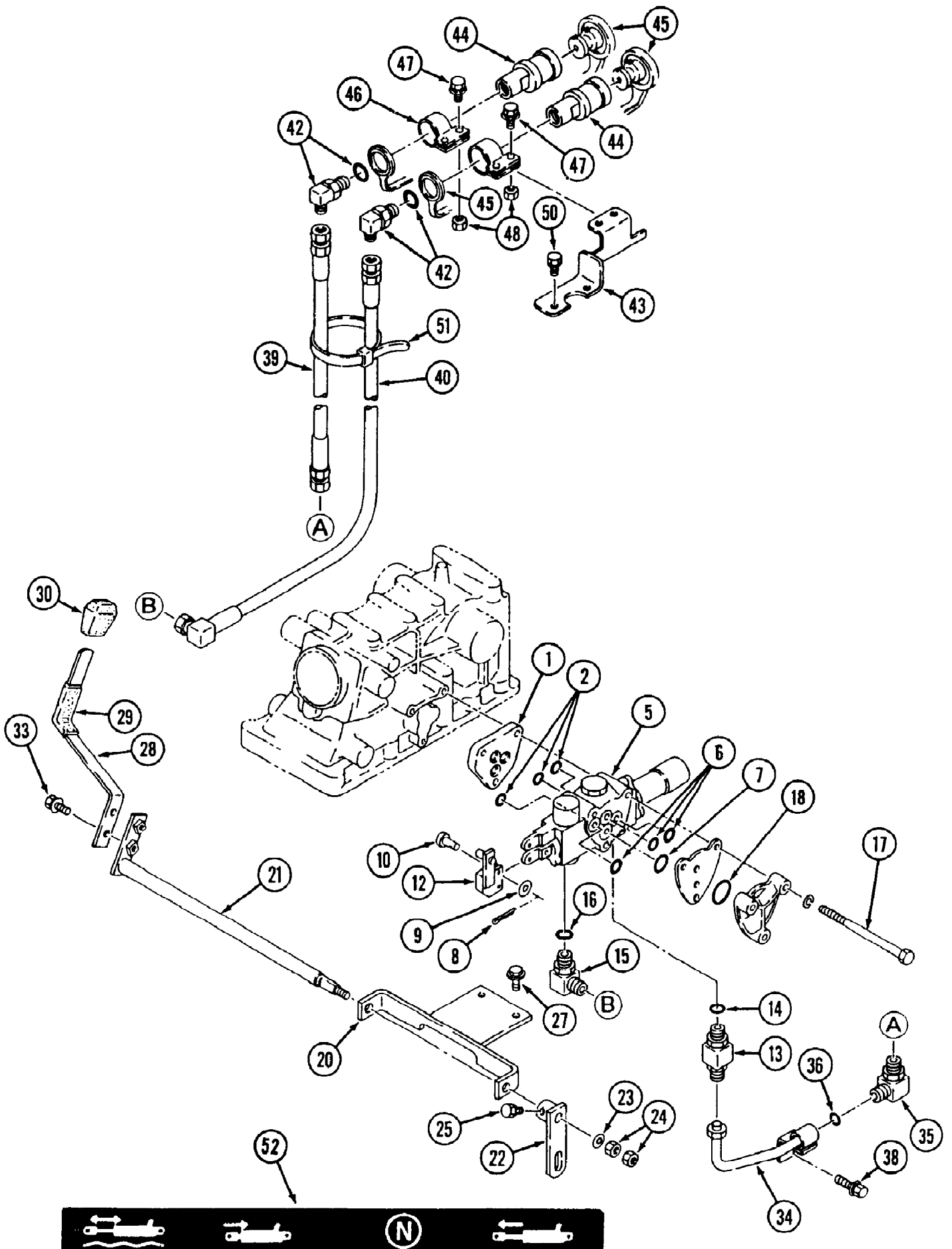
Ref #	Part Number	Qty	S/P/F	Description
	MA-19670511000	1		Air Cleaner Assembly MA-19670511000 Air Cleaner Assembly replaces MA-19630511000 when inventory is depleted. All components will change if the air cleaner assembly is replaced. Inventory depletion of component parts for the MA-19630511000 will also necessitate replacement with the MA-19670511000. Refer to Service Adviso
1	MA-19670511100	1		Case (plastic)
2	MA-35460501200	1		Cap
3	MA-35460501300	1		Gasket
4	MA-35460501400	1		Dirt Unloader Valve
5	MA-35460501500	1		Bolt Ass'y
6	MA-35460501600	1		Seal Washer
7	MA-35460501800	1		Element
8	MA-F1540108030	1		Bolt
9	MA-19670512AG0	1		Band
10	MA-14141454000	1		Wing Bolt



7192 Tractor  
 Alternator - 19HP

Ref #	Part Number	Qty	S/P/F	Description
	MA-MM435752	1		Alternator Ass'y.
1	MA-MM502340	1		Nut Set
2	MA-MM502508	1		Pulley Set
3	MA-MD607963	1		Bolt Set
4	MA-MM502504	1		Bracket Ass'y., Front
5	MA-MD611034	1		Screw Set
6	MA-MD611033	1		Bearing, Front
7	MA-MM502505	1		Rotor Ass'y.
8	MA-MD611150	1		Bearing, Rear
9	MA-MM502506	1		Starter Ass'y.
10	MA-MM502533	1		Bracket Ass'y., Rear
11	MA-MD607829	1		Terminal Set
12	MA-MM502532	1		IC Regulator Set
13	MA-MD611035	2		Brush
14	MA-MD602227	2		Spring, Brush
15	MA-MM502507	1		Rectifier Ass'y.



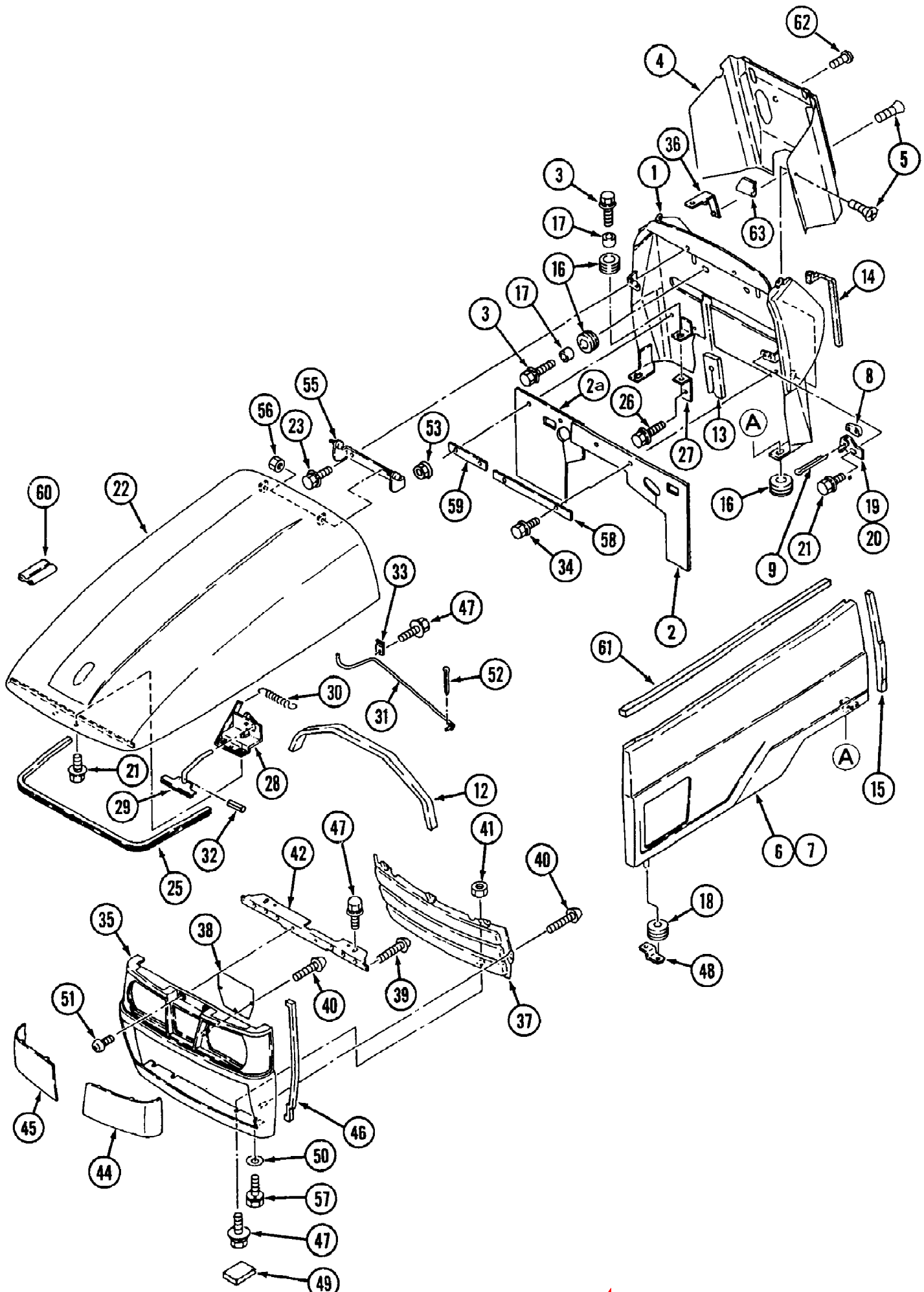


ON LEVER GUIDE R.H

7192 Tractor  
Auxiliary Valve Kit

Page 10 of 207

Ref #	Part Number	Qty	S/P/F	Description
1	MA-12185026000	1		Spacer
2	MA-08301100120	3	/P	O-Ring
	MA-19632482AG0	1		Aux. Valve Ass'y. Includes Items No. 5 through 10
5		1		Body
6	MA-08300100120	3	S	O-Ring
7	MA-08300100160	1	/P	O-Ring
8	MA-05200125016	3	S	Pin, Split
9	MA-03500130815	3		Washer
10	MA-11556501270	3		Pin, Clevis
12	MA-19632483000	1		Arm
13	MA-06203112171	1		Body (Nipple)
14	MA-08301100140	1		O-Ring
15	MA-35231888100	1	F	Adapter Includes Item No. 16
	MA-06313117170	1	F	Elbow 90
16	MA-08300100140	1		O-Ring
17	MA-A0540108095	3		Bolt
18	MA-A3600100802	3		Washer
20	MA-19632484AG0	1		Bracket
21	MA-19632486000	1		Shaft
22	MA-19632487000	1		Arm
23	MA-03500140818	1		Washer
24	MA-A3010108002	2		Nut
25	MA-A0500108012	1		Bolt
27	MA-F1550110025	2		Bolt
	MA-19632488AG0	1		Lever Ass'y. Includes Items No. 28 & 29
28		1		Lever
29	MA-19632439000	1		Tube
30	MA-11742449000	1		Grip
33	MA-H1540108016	2		Bolt
34	MA-19632490AG0	1		Pipe Press. Ass'y.
35	MA-35231888100	1	F	Adapter Includes Item No. 36
	MA-06313117170	1	F	Adapter
36	MA-08300100140	1		O-Ring
38	MA-H1550110016	1		Bolt
39	MA-19632492000	1		Hose Ass'y.
40	MA-19632493000	1		Hose Ass'y.
42	MA-19632494000	2		Fitting
43	MA-19632496AG0	1		Bracket
44	727-3093	2	S	Coupling
45	731-3177	2		Plug/A
46	MA-12185264000	2		Clamp, Coupler
47	MA-H1540108020	4		Bolt
48	MA-F3010108001	4		Nut
50	MA-F1540108012	2		Bolt
51	MA-00511070070	1		Band, Wire
52	MA-19632753000	1		Label, Aux. Valve



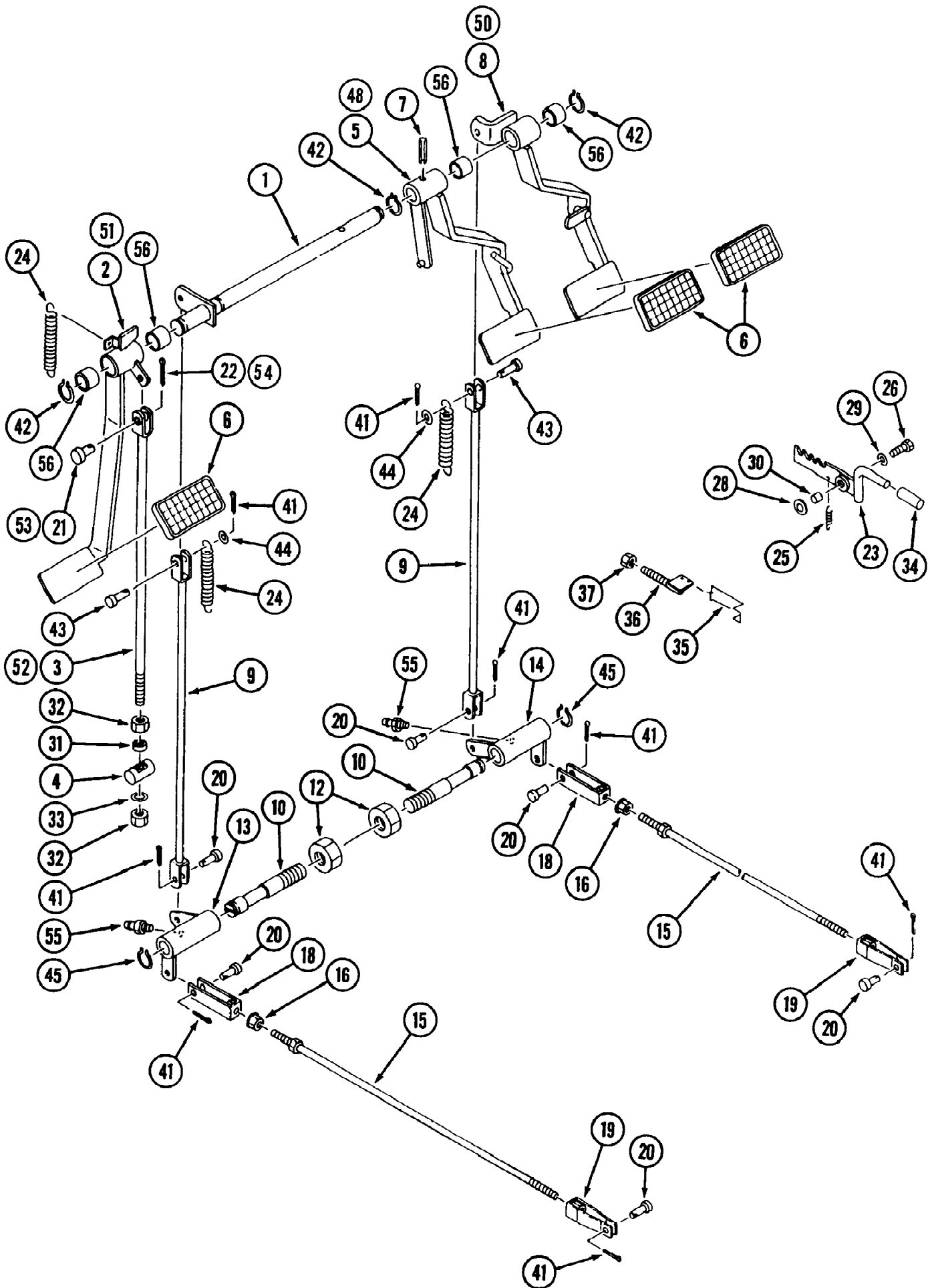
7192 Tractor  
Bonnet (Hood)

Page 12 of 207

Ref #	Part Number	Qty	S/P/F	Description
1	MA-19632612BC0	1		Body Panel
2	MA-19632611000	1		Cover
2a	MA-19632611100	1		Cover
3	MA-H1540108025	4		Bolt
4	MA-19632614AG0	1		Cover, Panel Rear
5	MA-A2520706012	3		Screw
6	MA-19672618BC0	1	F	Cover, Side L.H.
7	MA-19672619BC0	1	F	Cover, Side R.H.
8	MA-10322629001	4	/P/F	Hook
9	MA-05200130032	4		Pin, Split
12	MA-19632635000	1		Cushion
13	MA-19632615000	1		Cushion
14	MA-10192598300	2	S	Seal, Foam
15	MA-19632623000	2		Cushion
16	MA-11930439000	6		Grommet
17	MA-67700-26000	4		Collar
18	MA-11740217001	2		Grommet
19	MA-10322631000	2		Bracket A
20	MA-10322632000	2		Bracket B
21	MA-H1540108016	4		Bolt
22	MA-19632633BC0	1		Hood, Bonnet
23	MA-H1840108020	2		Bolt
25	MA-19632634000	1		Cushion
26	MA-H1540108020	2		Bolt
27	MA-19632613000	2		Bracket
28	MA-19632636000	1		Bracket, Lever
29	MA-19632637BC0	1		Lever
30	MA-19740722000	1		Spring
31	MA-19632642000	1		Rod, Stopper
32	MA-05500003032	1		Pin, Spring
33	MA-11910414000	1		Clip
34	MA-H1440106012	2		Bolt
35	MA-19672645000	1		Grille
36	MA-19632661000	1		Plate
37	MA-19672646AG0	1	/P/F	Screen
38	MA-19672647AG0	1	/P/F	Screen
39	MA-10212626000	2		Screw, Tapping
40	MA-04322105010	8		Screw
41	MA-A3000106002	2		Nut
42	MA-19632651BC0	1	S	Support, Grille
44	MA-19632655000	1		Cover Lamp, L.H.
45	MA-19632656000	1		Cover Lamp, R.H.
46	MA-35187645500	2		Seal
47	MA-H1440106016	5	/P	Bolt
48	MA-19632621AG0	2		Bracket
49	MA-43630642000	2		Rubber
50	MA-03500150622	2		Washer
51	MA-A2520706012	2		Screw
52	MA-05200125016	1	S	Pin
53	MA-F3010108001	2		Nut
55	MA-19632641000	1		Bracket, Hood
56	MA-A3810108000	1		Nut
57	MA-F1440106016	2		Bolt

7192 Tractor  
Bonnet (Hood)

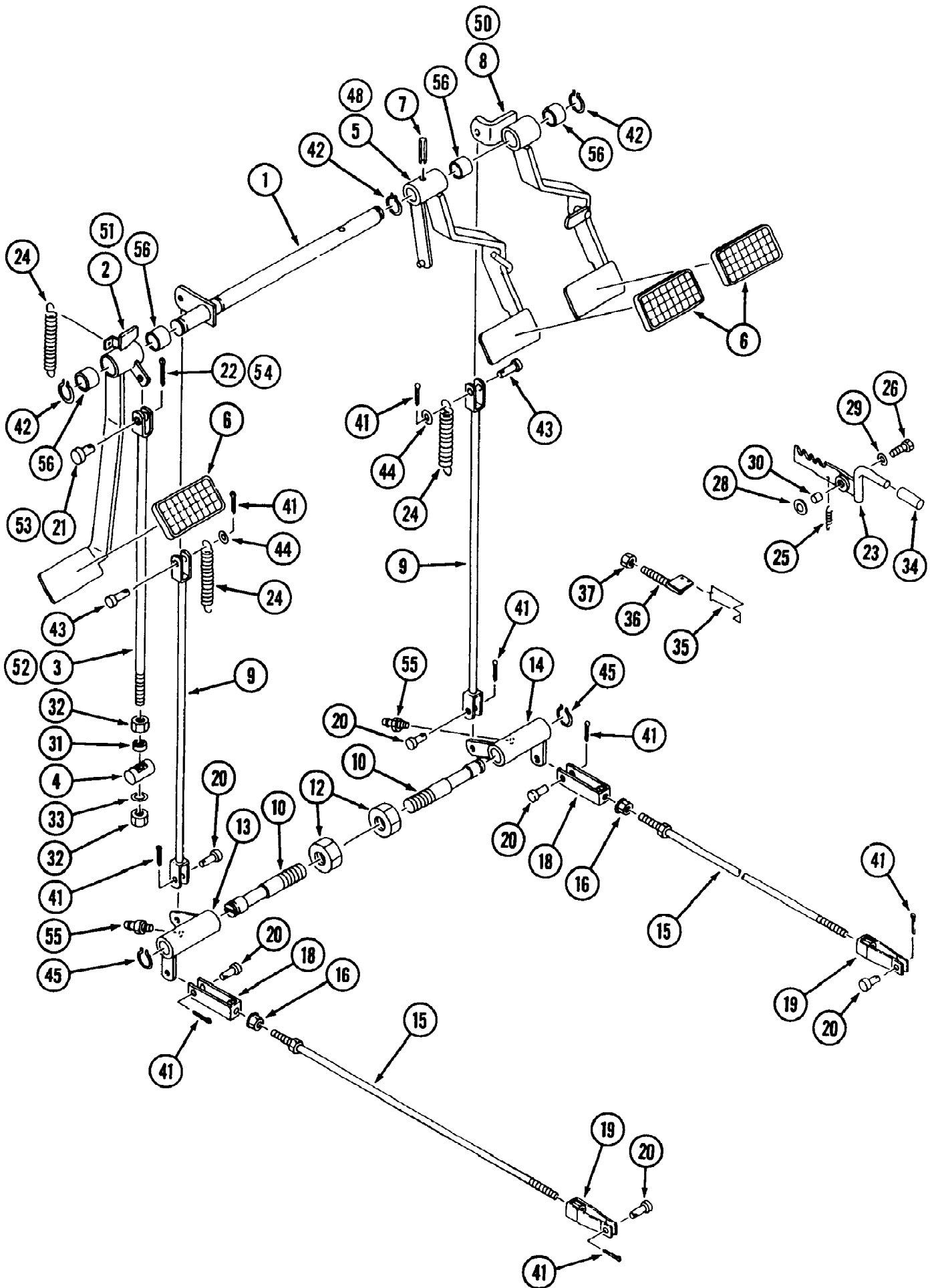
Ref #	Part Number	Qty	S/P/F	Description
58	MA-19632616000	1		Plate
59	MA-19632617000	1		Plate
60	MA-19632017000	1		Cushion
61	MA-MA911822000	2	S	Rubber, Cushion
62	MA-A2520706020	1		Screw
63	MA-27946239000	2		Band, Rubber



7192 Tractor  
C/B Control - Gear Drive (Dual)

Page 15 of 207

Ref #	Part Number	Qty	S/P/F	Description
1	MA-19631805AG0	1		Shaft, Brake
2		0		Pedal, Clutch Not used on this product
3		0		Rod, Clutch Not used on this product
4	MA-19631811000	1		Pin
5	MA-19631815AG1	1		Pedal, Brake L.H.
6	MA-11931812000	3		Cover, Pedal
7	MA-19631816000	1		Pin, Spring
8	MA-19631817AG0	1		Pedal, Brake R.H.
9	MA-19631819000	2		Rod, Brake A
10	MA-19631821000	2		Shaft, Link
12	MA-A0730124001	2		Nut
13	MA-19631823AG0	1		Link, Brake L.H.
14	MA-19631825AG0	1		Link, Brake R.H.
15	MA-19631826000	2		Rod, Brake B
16	MA-A3030110002	2		Nut Replaces MA-F3030110001
18	MA-10072222000	2		Joint
19	MA-10251711000	2		Joint
20	MA-05620108025	6		Pin, Clevis
21		0		Pin, Clevis Not used on this product
22		0		Pin, Split Not used on this product
23	MA-19631839AG0	1		Lever, Parking
24	MA-27141917000	3		Spring
25	MA-11352230000	1		Spring
26	MA-F1540108025	1		Bolt
28	MA-07310101204	AR		Liner t=0.4
29	MA-03500160826	1		Washer
30	MA-67700-26000	1		Collar
31	MA-35155086100	1		Collar
32	MA-A3030112002	2		Nut
33	MA-A3600101202	1		Washer
34	MA-14212284000	1		Grip
35	MA-19631843001	1		Hook, Clutch Pedal
36	MA-19631842000	1		Bolt, Stopper
37	MA-A3030110002	1		Nut
41	MA-05200125020	8		Pin, Split
42	MA-07400002500	3	/P	Ring
43	MA-05620108030	2		Pin, Clevis
44	MA-03500130815	2		Washer
45	MA-07400102200	2		Ring
48		0		Pedal, Brake L.H. Not used on this product
50		0		Pedal, Brake R.H. Not used on this product
51	MA-19631845AG0	1		Pedal, Clutch
52	MA-19631846000	1		Rod, Clutch
53	MA-05621114035	1		Pin, Clevis
54	MA-05200140025	1		Pin, Split
55	MA-A6513100300	2	S	Grease, Nipple
56	MA-07961025200	4		Bushing

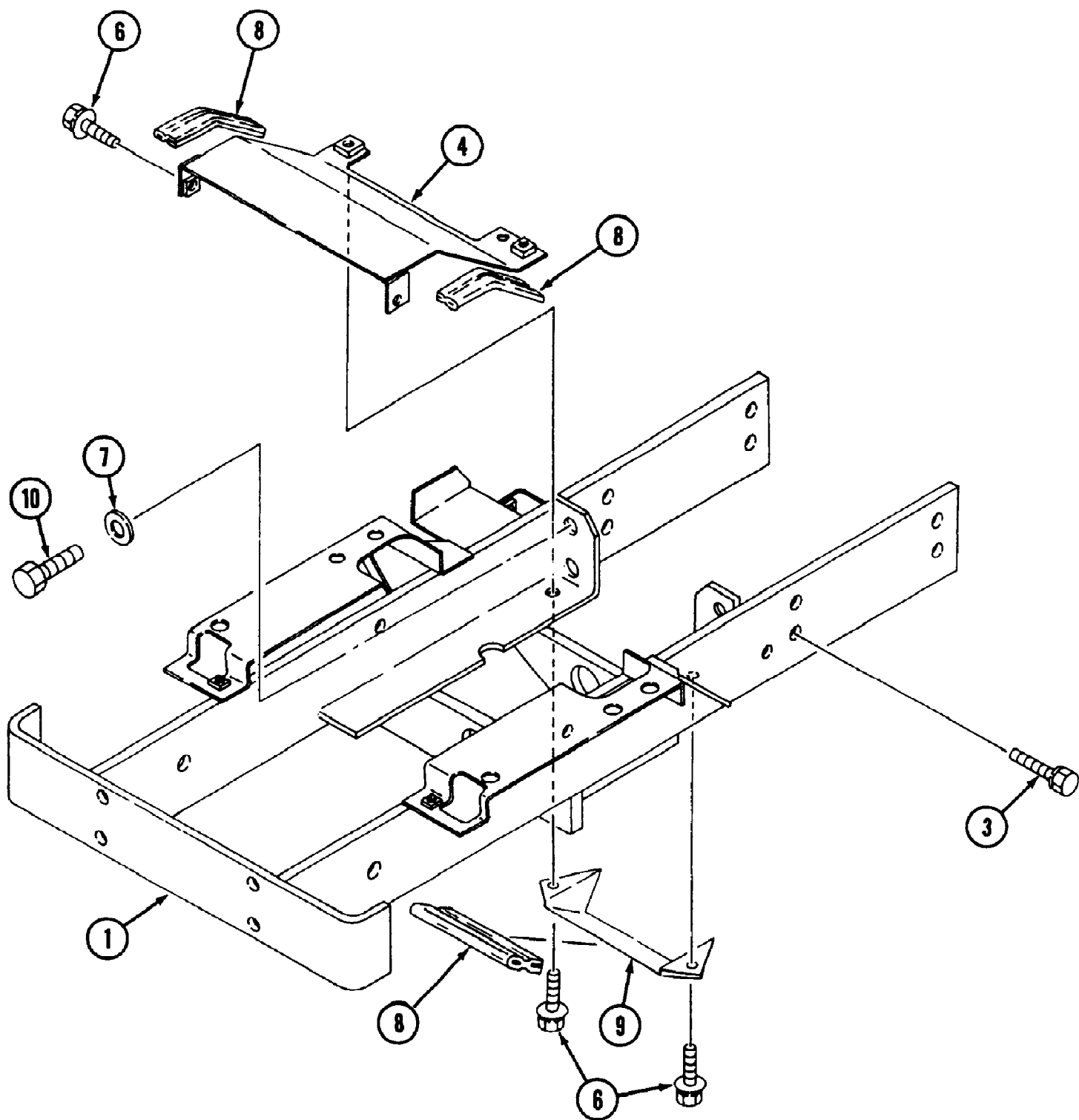




7192 Tractor  
C/B Control - HST

Page 17 of 207

Ref #	Part Number	Qty	S/P/F	Description
1	MA-19631805AG0	1		Shaft, Brake
2	MA-19631807AG1	1		Pedal, Clutch Replaces MA-19631807AG0
3	MA-19631809000	1		Rod, Clutch
4	MA-19631811000	1		Pin
5		0		Pedal, Brake L.H. Not used on this product
6	MA-11931812000	3		Cover, Pedal
7	MA-19631816000	1		Pin, Spring
8		0		Pedal, Brake R.H. Not used on this product
9	MA-19631819000	2		Rod, Brake A
10	MA-19631821000	2		Shaft, Link
12	MA-A0730124001	2		Nut
13	MA-19631823AG0	1		Link, Brake L.H.
14	MA-19631825AG0	1		Link, Brake R.H.
15	MA-19631826000	2		Rod, Brake B
16	MA-A3030110002	2		Nut Replaces MA-F3030110001
18	MA-10072222000	2		Joint
19	MA-10251711000	2		Joint
20	MA-05620108025	6		Pin, Clevis
21	MA-05620110030	1		Pin, Clevis
22	MA-05200130020	1		Pin, Split
23	MA-19631839AG0	1		Lever, Parking
24	MA-27141917000	3		Spring
25	MA-11352230000	1		Spring
26	MA-F1540108025	1		Bolt
28	MA-07310101204	AR		Liner t=0.4
29	MA-03500160826	1		Washer
30	MA-67700-26000	1		Collar
31	MA-35155086100	1		Collar
32	MA-A3030112002	2		Nut
33	MA-A3600101202	1		Washer
34	MA-14212284000	1		Grip
35	MA-19631843001	1		Hook, Clutch Pedal
36	MA-19631842000	1		Bolt, Stopper
37	MA-A3030110002	1		Nut
41	MA-05200125020	8		Pin, Split
42	MA-07400002500	3	/P	Ring
43	MA-05620108030	2		Pin, Clevis
44	MA-03500130815	2		Washer
45	MA-07400102200	2		Ring
48	MA-19631848AG1	1		Pedal, Brake L.H.
50	MA-19631849AG0	1	/P	Pedal, Brake R.H.
51		0		Pedal, Clutch Not used on this product
52		0		Rod, Clutch Not used on this product
53		0		Pin, Clevis Not used on this product
54		0		Pin, Split Not used on this product
55	MA-A6513100300	2	S	Grease, Nipple
56	MA-07961025200	4		Bushing



7192 Tractor  
Chassis

Page 19 of 207

Ref #	Part Number	Qty	S/P/F	Description
1	MA-19632005AG0	1		Bracket, Front
3	MA-F9450112035	8		Bolt
4	MA-19632016AG0	1		Cover
6	MA-H1540108025	4		Bolt
7	MA-03550161428	2		Washer
8	MA-19632017000	3		Cushion
9	MA-19632019AG0	1		Cover
10	MA-A0520114030	2		Bolt

