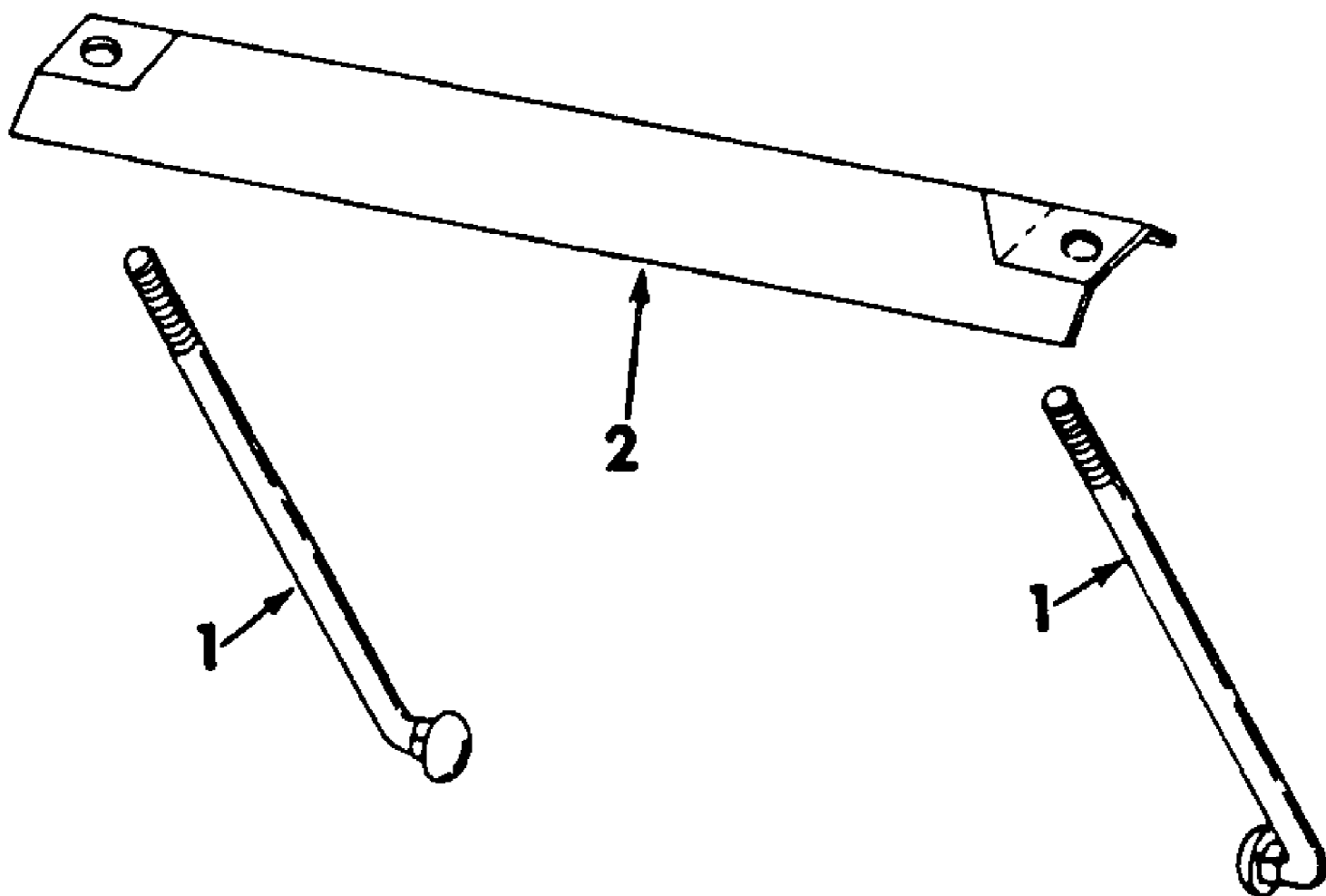
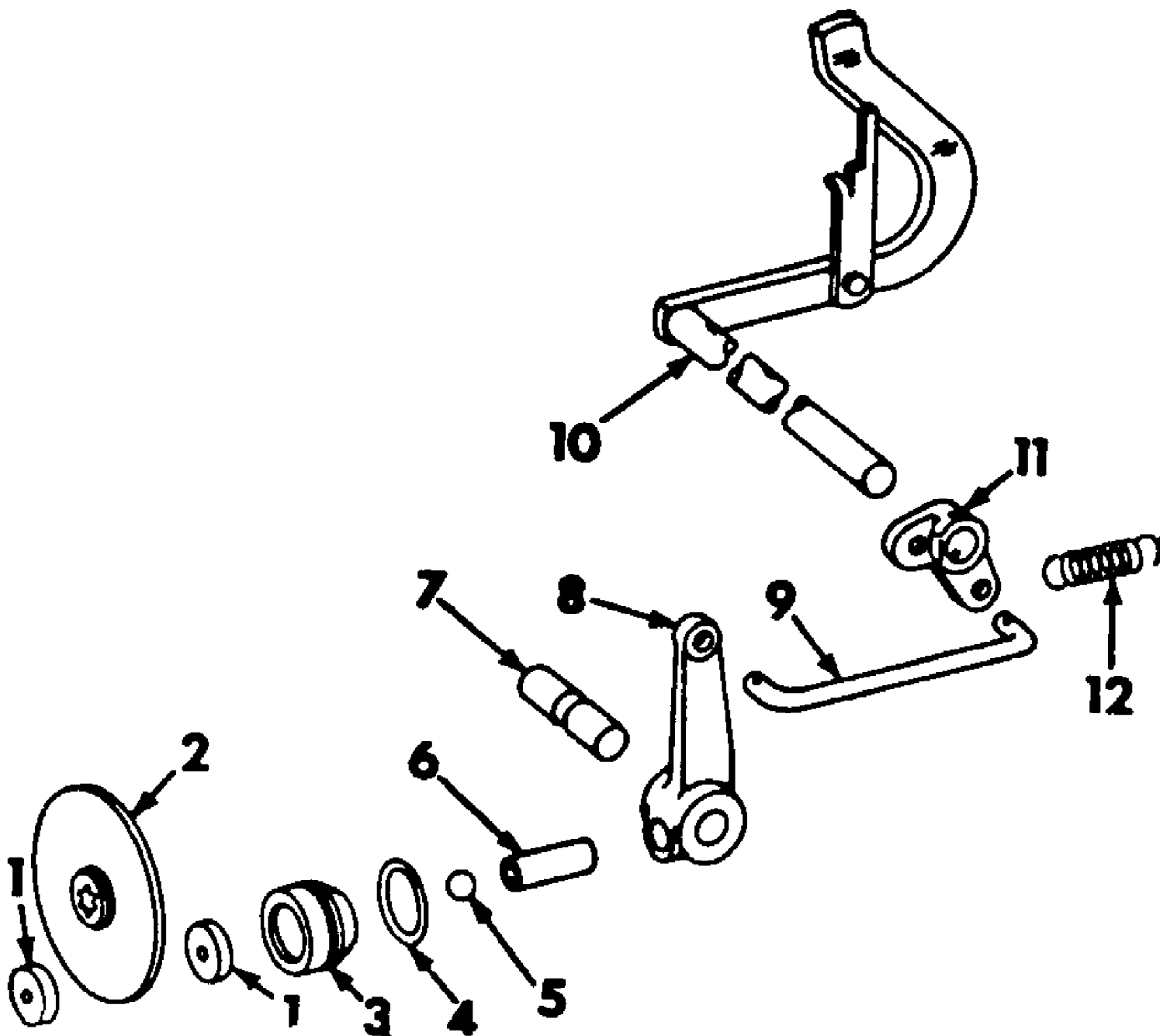


70 & 100  
Battery Holder

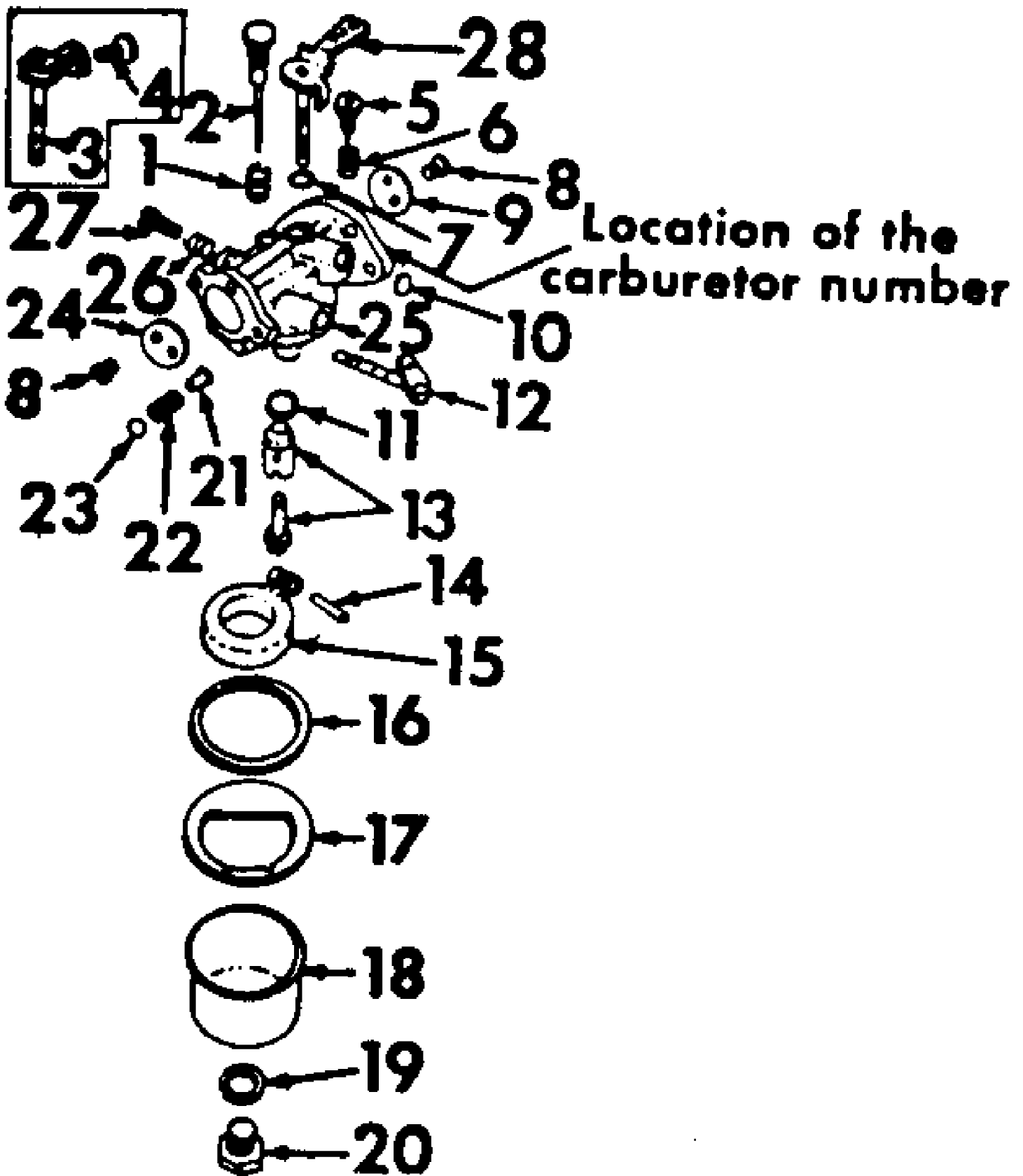


70 & 100  
Battery Holder

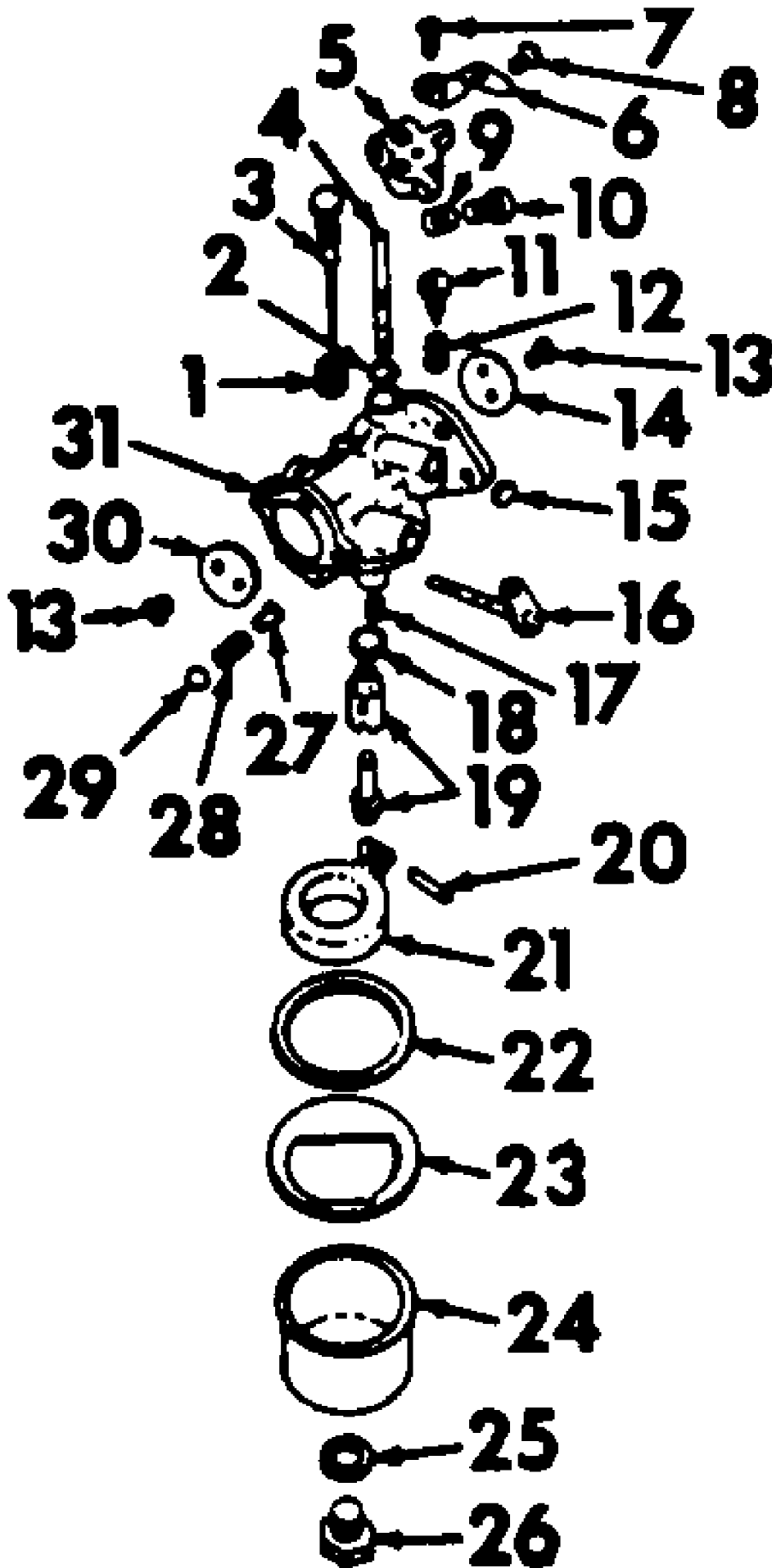
Ref #	Part Number	Qty	S/P/F	Description
1	IH-376294-R2	2	F	Bolt, Battery Hold Down (Cub Cadet 70 & 100)
	~NLA	2	F	Bolt, Battery Hold Down (Cub Cadet 100)
	KH-X-276-7	2	S	Nut, 1/4-20 Type A Wing
2	~NLA	1	F	Clamp, Battery Hold Down (Cub Cadet 70 & 100)
	IH-376293-R2	1	S/F	Clamp, Battery Hold Down (Cub Cadet 100)



Ref #	Part Number	Qty	S/P/F	Description
1	IH-384719-R1	2	S	Disc, Brake Lining
2	IH-384717-R11	1		Disc Assy, Brake
3	IH-384720-R2	1		Retainer, Brake Lining
4	IH-378031-R1	1	/P	O-Ring, 1-3/16 X 1-3/8 X 3/32
5	IH-17018-R1	1		Ball, 9/16 Cr Stl
6	IH-384721-R1	1		Rod, Brake Push
7	IH-384722-R1	1		Pin, Brake Lever Pivot
8	IH-384723-R1	1		Lever, Brake
		1		Nut, 3/8-16 Hex
		1		Screw, 3/8-16 X 1-3/4 Sq Hd Ov Pt Set
9	IH-384724-R1	1		Rod, Brake
	714-0507	2	S	Pin, 3/32 X 3/4 Cot
10	~NLA	1		Pedal Assy, Clutch & Brake
	~NLA	1		Rivet, 1/4 X 3/4 Small Rd Hd Solid
	736-3001	1	/P	Washer, Spring
11	~NLA	1		Arm, Clutch & Brake Pedal
	IH-19689-R1	2	S	Pin, 1/4 X 1-1/4 Hv Coiled Spring
12	IH-370278-R1	1	S	Spring, Clutch Pedal Return



Ref #	Part Number	Qty	S/P/F	Description
	KH-41-853-11	1	/P	Carburetor Assy (Carter No. 3738S)
	KH-41-853-11	1	/P	Carburetor Assy (Carter No. 3408S)
	KH-41-853-11	1	/P	Carburetor Assy (Carter No. 3737S)
1	KH-200383	1	/P	Spring, High Speed Needle
2	KH-200410	1	/P	Needle Assy, High Speed
3	~NLA	1		Shaft & Lever Assy, Throttle
4	~NLA	1		Screw, Throttle Lever Adjusting
5	KH-200438	1		Screw, Idle Adjusting
6	KH-200380	1		Spring, Idle Adjusting Screw
7		1		Seal, Throttle Shaft Dust (Furnish complete Carburetor Assy)
8		4		Screw, Choke & Throttle Valve (Furnish complete Carburetor Assy)
9		1		Valve Assy, Throttle (Furnish complete Carburetor Assy)
10		1		Plug, 3/8 Aluminum Expansion (Furnish complete Carburetor Assy)
11		1		Gasket, Needle Seat (Furnish Repair Kit KH-25-757-01)
12		1		Shaft & Lever Assy, Choke (Furnish complete Carburetor Assy)
13		1		Needle & Seat Assy w/Spring (Furnish Repair Kit KH-25-751-01)
14	KH-200376	1	/P	Pin, Float & Lever
15	KH-25-757-03	1	S	Float & Lever Assy
16	KH-200375	1	/P	Gasket, Fuel Bowl Ring
17	KH-25-041-02	1	/P	Gasket, Fuel Bowl
18	KH-200418	1	/P	Bowl, Fuel
19		1		Gasket, Fuel Bowl Screw (Furnish Repair Kit KH-25-757-01)
20	KH-41-100-01	1	S	Screw, Fuel Bowl
21		1		Plug, Idle Passage Rivet (Furnish complete Carburetor Assy)
22		1		Spring, Choke Shaft (Furnish complete Carburetor Assy)
23		1		Ball, Choke Shaft (Furnish complete Carburetor Assy)
24		1		Valve Assy, Choke (Furnish complete Carburetor Assy)
25		1		Body, Carburetor (Order Carburetor Assy)
26	KH-232555	1		Spring, Throttle
27	KH-232556	1		Screw, Throttle Lever Adjusting
28		1		Shaft & Lever Assy, Throttle (Furnish Complete Carburetor Assy)
	KH-25-757-01	1	/P	Kit, Carburetor Repair (Consists of Ref No. 13, 14, 16, 17 & 19)



70 & 100  
Carburetor II

Ref #	Part Number	Qty	S/P/F	Description
	KH-47-853-22	1	/P	Carburetor Assy
1	KH-200383	1	/P	Spring, High Speed Needle
2		1		Seal, Throttle Shaft Dust (Furnish complete Carburetor Assy)
3	KH-235415	1	/P	Needle Assy, High Speed
4		1		Shaft, Throttle (Furnish complete Carburetor Assy)
5		1		Dog Assy, Throttle Shaft (Furnish complete Carburetor Assy)
6	KH-275228	1		Lever, Throttle (Furnish complete Carburetor Assy)
7		1		Screw w/Washer, Throttle Lever (Furnish complete Carburetor Assy)
8		1		Screw, 8-32 X 1/2 Slit Fil Hd Mach
9	KH-200380	1		Spring, Throttle Lever
10		1		Screw, Throttle Adjusting
11	KH-235006	1	S	Screw, Idle Adjusting
12	KH-200380	1		Spring, Idle Adjusting Screw
13		4		Screw, Choke & Throttle Valve (Furnish complete Carburetor Assy)
14		1		Valve Assy, Throttle (Furnish complete Carburetor Assy)
15		1		Plug, 3/8 Aluminum Expansion (Furnish complete Carburetor Assy)
16		1		Shaft & Lever Assy, Choke (Furnish complete Carburetor Assy)
17		1		Nozzle, High Speed Needle (Furnish complete Carburetor Assy)
18		1		Gasket, Needle Seat (Furnish Repair Kit KH-25-757-01)
19		1		Needle & Seat Assy w/Spring (Furnish Repair Kit KH-25-757-01)
20	KH-200376	1	/P	Pin, Float & Lever (Furnish Repair Kit KH-25-757-01)
21	KH-25-757-03	1	S	Float & Lever Assy
22	KH-200375	1	/P	Gasket, Fuel Bowl Ring
23	KH-25-041-02	1	/P	Gasket, Fuel Bowl
24	KH-235448	1	/P	Bowl, Fuel
25		1		Gasket, Fuel Bowl Screw (Furnish Repair Kit KH-25-757-01)
26	KH-47-100-06	1	S	Screw, Fuel Bowl
27		1		Plug, Idle Passage Rivet (Furnish complete Carburetor Assy)
28		1		Spring, Choke Shaft (Furnish complete Carburetor Assy)