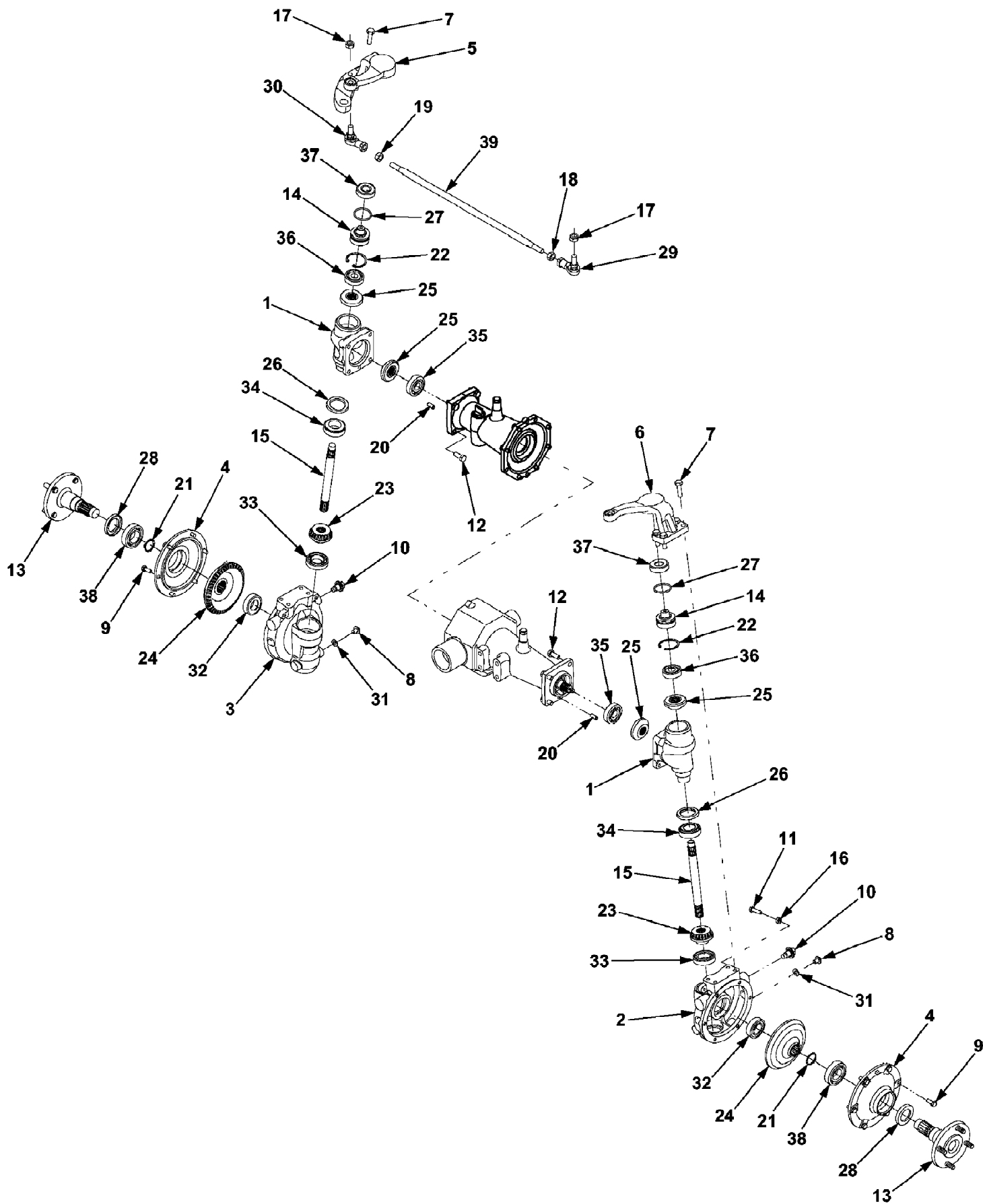


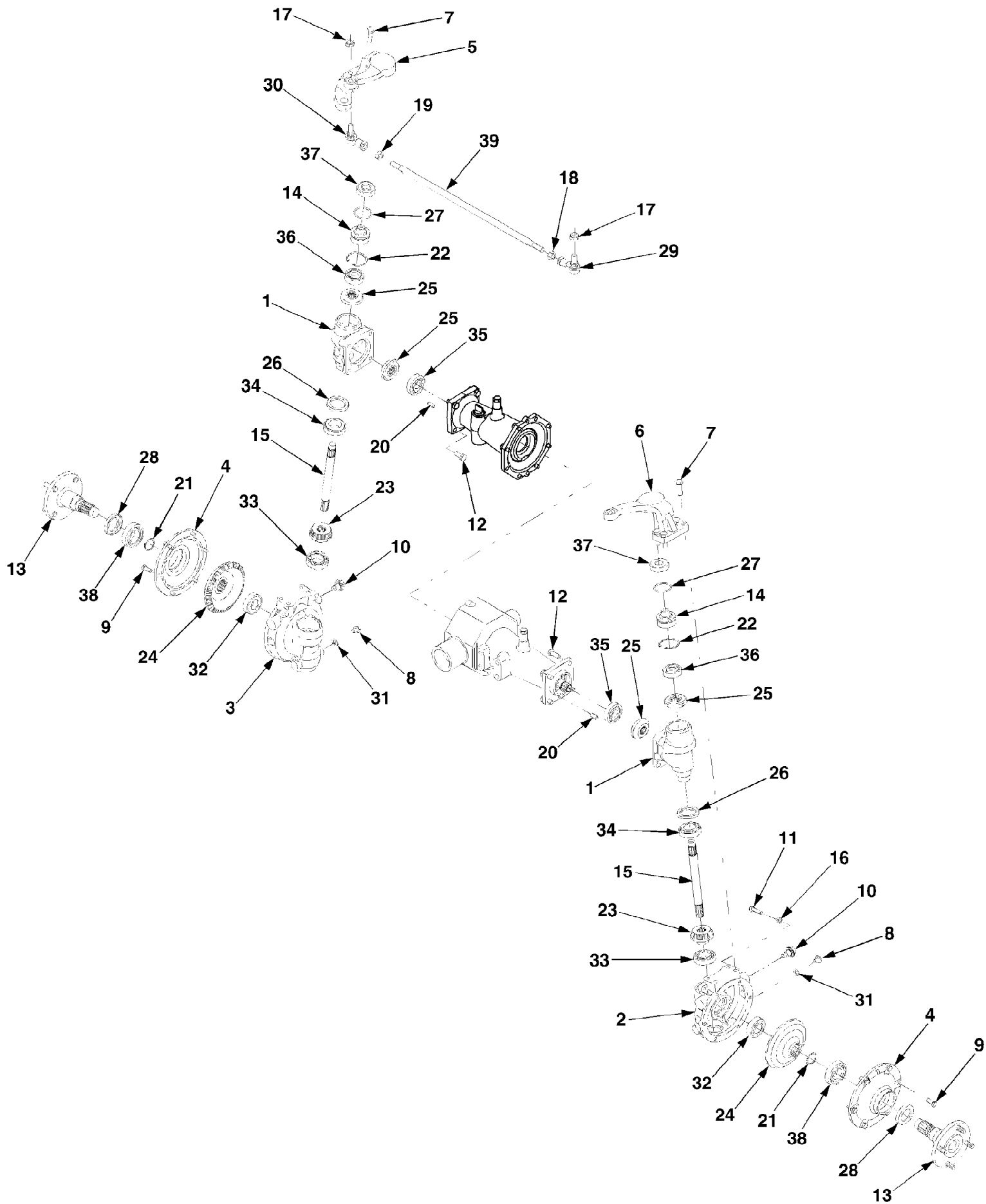
5254E Tractor
4WD Axle Assembly (Part 1) 1B065G & Before



5254E Tractor
4WD Axle Assembly (Part 1) 1B065G & Before

Page 2 of 109

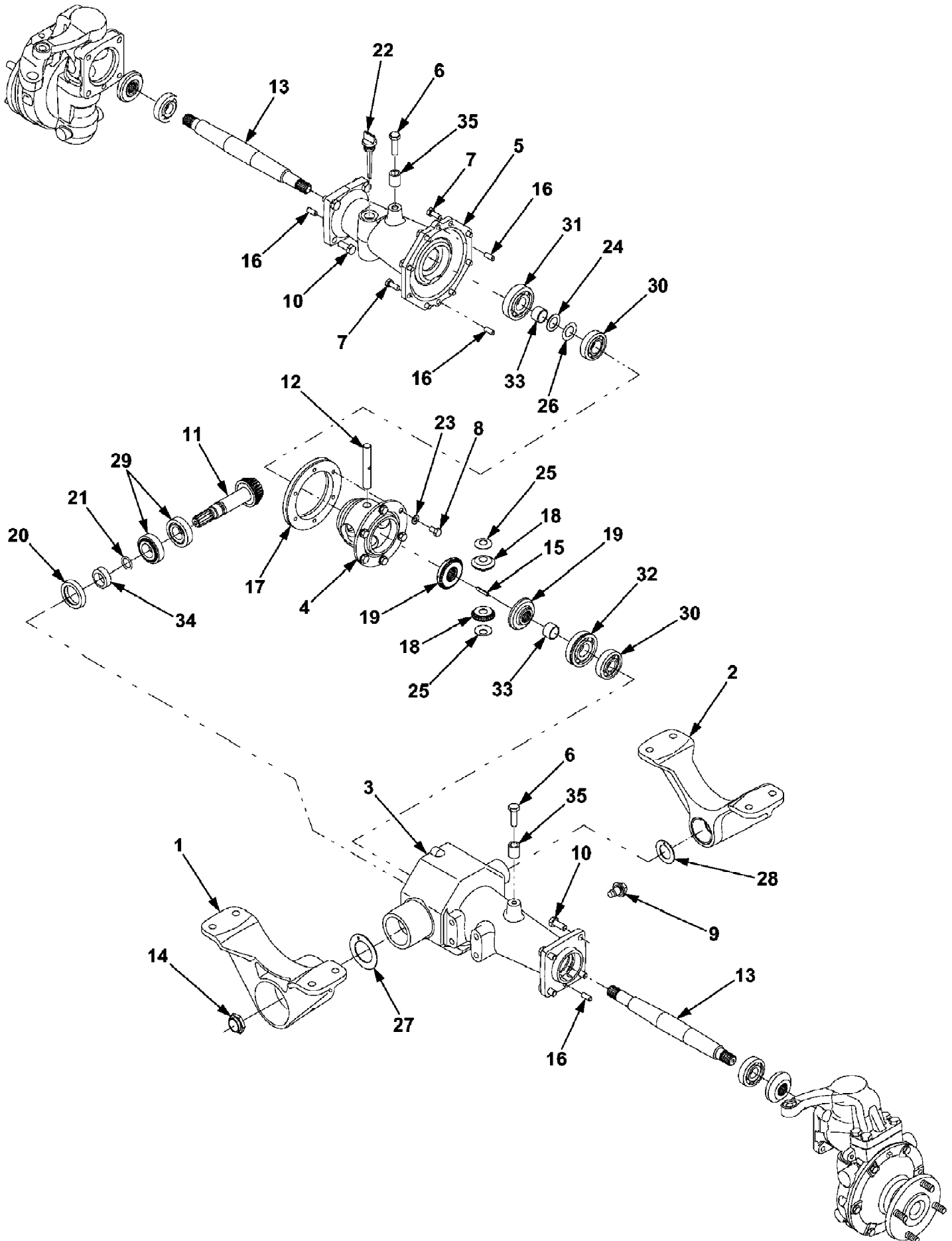
Ref #	Part Number	Qty	S/P/F	Description
1	619-04017	2	S	Housing, Kingpin
	759-3958	AR		Sealant, Loctite ® Black, 5.3 oz.
2	619-04020	1	S	Housing, Axle Drop, RH
3	619-04021	1	S	Housing, Axle Drop, LH
4	619-04024	2	S	Cover, Axle
5	619-04027A	1	S	Arm, Steering, LH
6	619-04028	1	S	Arm, Steering, RH
7	710-1313	8	/P	Screw, Hex Cap, M10-1.5 x 35 GR8.8
8	710-1323	2		Plug, Hex, 3/8-16 x .5
9	710-1681	12	/P	Screw, Hex Cap, M8-1.25 x 20 GR8.8
10	710-1633	2		Plug, Screw, M14-1.5 x .827
11	710-1683	2	/P	Screw, Hex Cap, M8-1.25 x 30
12	710-3208	8		Screw, Hex Cap, M10-1.5 x 25
13	711-04060	2	S	Axle, Flange
	710-0852	8	/P	Stud, Rib Neck, 7/16-14 x 1.6
14	711-04104	2	S	Shaft, Stub
15	711-04106	2	S	Shaft, Kingpin
16	712-0690	2	/P	Nut, Hex, M8-1.25
17	712-3103	2		Nut, Hex Flange Lock, M12-1.75
18	712-3104	1		Nut, Hex, M12-1.75 RH Thrd.
19	712-3105	1		Nut, Hex, M12-1.75 LH Thrd.
20	715-04014	2	S	Pin, Dowel, 8mm x 20mm
21	716-02001	2		Ring, Retaining
22	716-0393	2		Ring, Retaining
23	717-04040	2	S	Gear, Bevel, 13T
24	717-04041	2	S	Gear, Bevel, 34T
25	717-04045	4	S	Gear, Bevel, 14T
26	721-04057	2	S	Seal, Oil, 38mm x 55mm x 7mm
27	721-04066	2	S	O-Ring, 40mm x 3mm
28	721-0497	2		Seal, Oil, 35mm x 55mm x 8mm
29	723-0462	1		Ball Joint, 12-1.75 RH
30	723-0463	1		Ball Joint, 12-1.75 LH
31	736-0567	2	/P	Washer, Flat, .39 x .75 x .062
32	741-0301	2	S	Bearing, Ball
33	741-04034	2	S	Bearing, Ball
34	741-04043	2	S	Bearing, Tapered Roller w/ Race
35	741-04044	2	S	Bearing, Ball
36	741-04068	2	S	Bearing, Ball
37	741-0919	2	S	Bearing, Ball
38	741-3033A	2	S	Bearing, Ball
39	747-04134	1	S	Rod, Tie, M12-1.75



5254E Tractor
4WD Axle Assembly (Part 1) 1B075G & After

Page 4 of 109

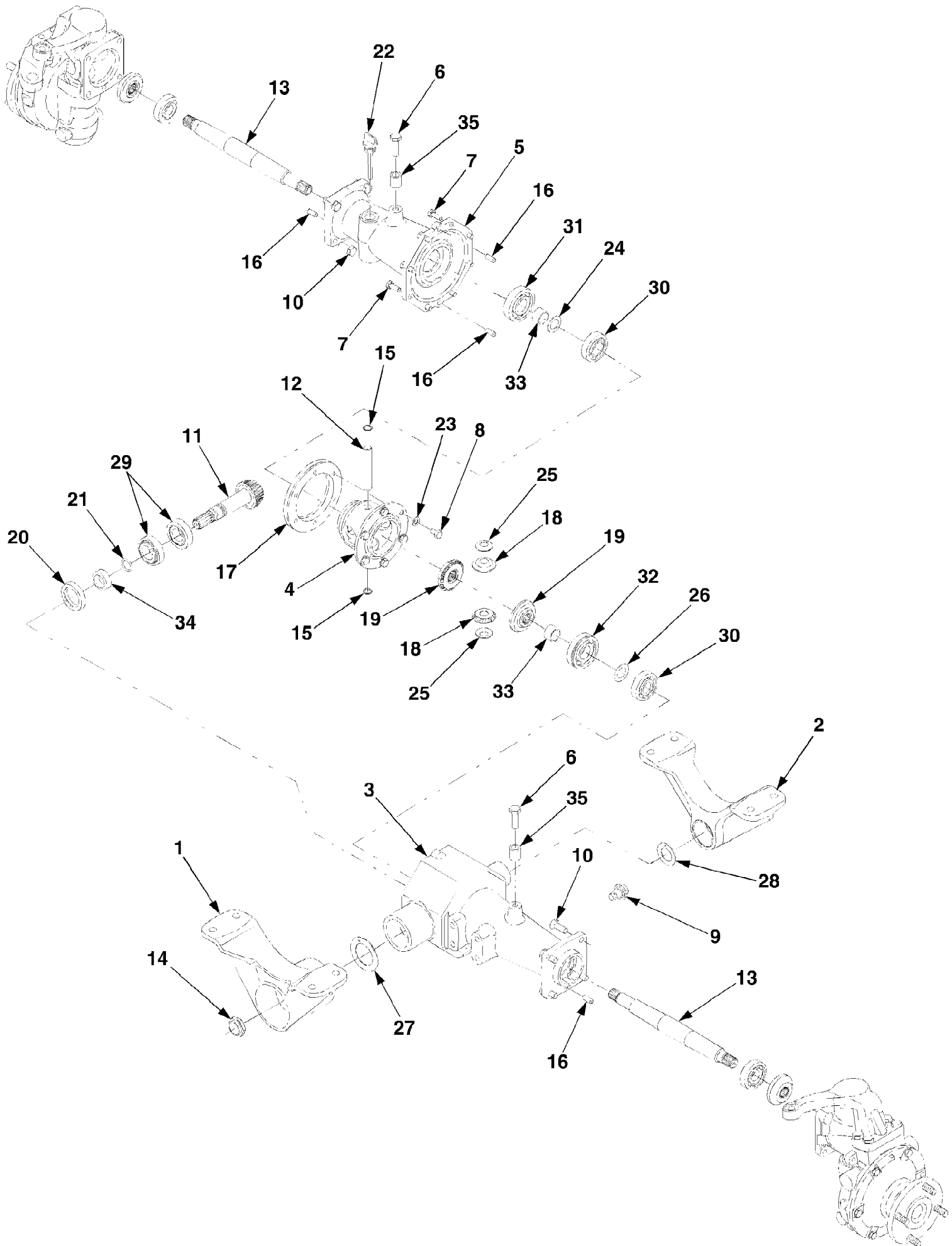
Ref #	Part Number	Qty	S/P/F	Description
1	619-04017A	2	S	Housing, Kingpin
	759-3958	AR		Sealant, Loctite(®) Black, 5.3 oz.
2	619-04020A	1	S	Housing, Axle Drop, RH
3	619-04021A	1	S	Housing, Axle Drop, LH
4	619-04024A	2	S	Cover, Axle
5	619-04027A	1	S	Arm, Steering, LH
6	619-04028A	1	S	Arm, Steering, RH
7	710-1313	8	/P	Screw, Hex Cap, M10-1.5 x 35 GR8.8
8	710-1323	2		Plug, Hex, 3/8-16 x .5
9	710-1681	12	/P	Screw, Hex Cap, M8-1.25 x 20 GR8.8
10	710-1633	2		Plug, Screw, M14-1.5 x .827
11	710-1683	2	/P	Screw, Hex Cap, M8-1.25 x 30
12	710-3208	8		Screw, Hex Cap, M10-1.5 x 25
13	711-04060	2	S	Axle, Flange
	710-0852	8	/P	Stud, Rib Neck, 7/16-14 x 1.6
14	711-04104	2	S	Shaft, Stub
15	711-04106	2	S	Shaft, Kingpin
16	712-0690	2	/P	Nut, Hex, M8-1.25
17	712-3103	2		Nut, Hex Flange Lock, M12-1.75
18	712-3104	1		Nut, Hex, M12-1.75 RH Thrd.
19	712-3105	1		Nut, Hex, M12-1.75 LH Thrd.
20	715-04014	2	S	Pin, Dowel, 8mm x 20mm
21	716-0201	2		Ring, Retaining
22	716-0393	2		Ring, Retaining
23	717-04040	2	S	Gear, Bevel, 13T
24	717-04041	2	S	Gear, Bevel, 34T
25	717-04045	4	S	Gear, Bevel, 14T
26	721-04087	2		Seal, Oil, 38 x 55 x 7 w/Dirt Lip
27	721-04066	2	S	O-Ring, 40mm x 3mm
28	721-0497	2		Seal, Oil, 35mm x 55mm x 8mm
29	723-0462	1		Ball Joint, 12-1.75 RH
30	723-0463	1		Ball Joint, 12-1.75 LH
31	736-0567	2	/P	Washer, Flat, .39 x .75 x .062
32	741-0301	2	S	Bearing, Ball
33	741-04034	2	S	Bearing, Ball
34	741-04043	2	S	Bearing, Tapered Roller w/ Race ...
35	741-04044	2	S	Bearing, Ball
36	741-04068	2	S	Bearing, Ball
37	741-0919	2	S	Bearing, Ball
38	741-3033A	2	S	Bearing, Ball
39	747-04134	1	S	Rod, Tie, M12-1.75



5254E Tractor
4WD Axle Assembly (Part 2) 1B065G & Before

Page 6 of 109

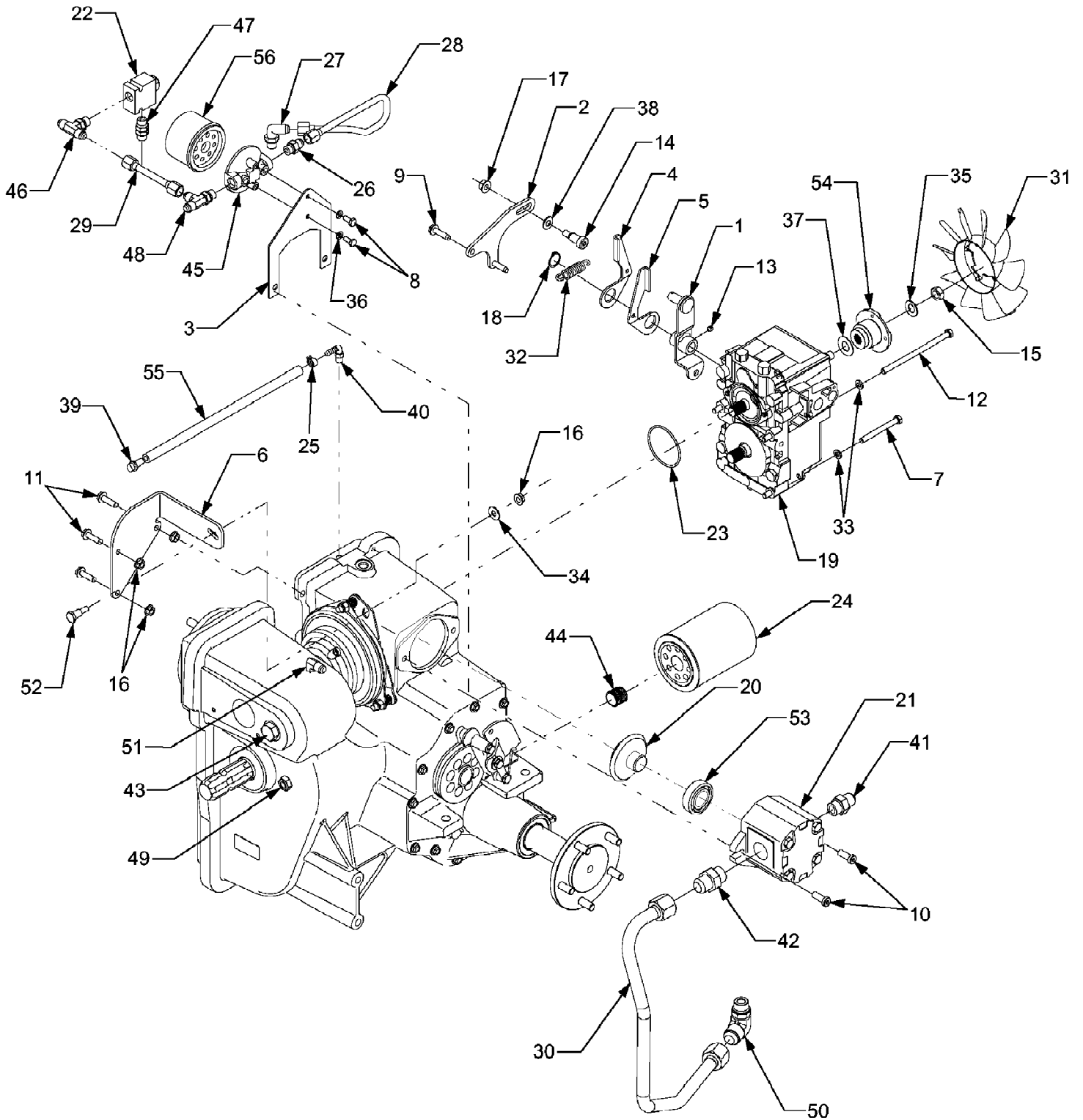
Ref #	Part Number	Qty	S/P/F	Description
1	603-04050	1	S	Bracket, Front Axle Mtg. - Rear
	737-0146	1	S	Fitting, Lube, 1/4-28
	741-04036	1	S	Bearing, Sleeve
2	603-04051	1	S	Bracket, Front Axle Mtg. - Front
	737-0146	1	S	Fitting, Lube, 1/4-28
	741-04037	1	S	Bearing, Sleeve
3	619-04009	1	S	Housing, Main Axle RH
4	619-04014	1	S	Housing, Differential
5	619-04019	1	S	Housing, Axle LH
6	710-1313	2	/P	Screw, Hex Cap, M10-1.5 x 35 GR8.8
7	710-1681	8	/P	Screw, Hex Cap, M8-1.25 x 20 GR8.8
8	710-3175	6	/P	Screw, Hex Cap, M8-1.25 x 14 GR8.8
9	710-1633	1		Plug, Screw, M14-1.5 x .827
10	710-3208	8		Screw, Hex Cap, M10-1.5 x 25
11	711-04051	1	S	Shaft, Input, 11T
12	711-04105	1	S	Shaft, Cross
13	711-04107	2	S	Shaft, Axle
14	712-04043	1	/P	Nut, Special, 24mm
15	715-04011	1		Pin, Roll, 5mm x 26mm
16	715-04014	4	S	Pin, Dowel, 8mm x 20mm
17	717-04023	1	S	Gear, Bevel, 35T
18	717-04046	2	S	Gear, Miter, 10T
19	717-04047	2	S	Gear, Miter, 16T
20	721-04056	1	S	Seal, Oil, 52mm x 35mm x 10mm
21	721-04067	1	S	O-Ring, 19mm x 3mm
22	731-04336	1	S	Dipstick, Front Axle
23	736-0264	6	S	Washer, Flat, .33 x .63 x .0635
24	736-0287	1	S	Washer, Flat, .793 x 1.24 x .06 Hdn.
25	736-04098	2	S	Washer, Special Spherical
26	736-0562	AR	S	Washer, Flat, .793 x 1.37 x .005
	736-0563	AR		Washer, Flat, .793 x 1.37 x .010
	736-0564	AR		Washer, Flat, .793 x 1.37 x .015
	736-0565	AR		Washer, Flat, .793 x 1.37 x .020
	737-0566	AR		Washer, Flat, .793 x 1.37 x .025
27	741-04038	1	S	Washer, Thrust, 1.66 x 2.59 x .059
28	741-04039	1	S	Washer, Thrust, 1.03 x 1.73 x .059
29	741-04042	2	S	Bearing, Tapered Roller w/ Race
30	741-04044	2	S	Bearing, Ball
31	741-04045	1	S	Bearing, Ball
32	741-04046	1	S	Bearing, Ball
33	750-04133	2	S	Spacer, 20 x 25 x 16mm
34	750-04164	1	S	Spacer, 25 x 35 x 12mm
35	750-0750	2	S	Spacer, .5 x .75 x .86
	737-3065	2.5 qt.	/P	Oil, 85W-140



5254E Tractor
4WD Axle Assembly (Part 2) 1B075G & After

Page 8 of 109

Ref #	Part Number	Qty	S/P/F	Description
1	603-04050	1	S	Bracket, Front Axle Mtg. - Rear
	737-0146	1	S	Fitting, Lube, 1/4-28
	741-04036	1	S	Bearing, Sleeve
2	603-04051	1	S	Bracket, Front Axle Mtg. - Front
	737-0146	1	S	Fitting, Lube, 1/4-28
	741-04037	1	S	Bearing, Sleeve
3	619-04009A	1	S	Housing, Main Axle RH
4	619-04120	1	S	Housing, Differential
5	619-04019A	1	S	Housing, Axle LH
6	710-1313	2	/P	Screw, Hex Cap, M10-1.5 x 35 GR8.8
7	710-1682	8		Screw, Hex Cap, M8-1.25 x 25 GR8.8
8	710-3175	6	/P	Screw, Hex Cap, M8-1.25 x 14 GR8.8
9	710-1633	1		Plug, Screw, M14-1.5 x .827
10	710-3208	8		Screw, Hex Cap, M10-1.5 x 25
11	711-04051	1	S	Shaft, Input, 11T
12	711-04384	1	S	Shaft, Cross
13	711-04107	2	S	Shaft, Axle
14	712-04043	1	/P	Nut, Special, 24mm
15	716-04045	2		Ring, Retaining
16	715-04014	4	S	Pin, Dowel, 8mm x 20mm
17	717-04023	1	S	Gear, Bevel, 35T
18	717-04046	2	S	Gear, Miter, 10T
19	717-04047	2	S	Gear, Miter, 16T
20	721-04056	1	S	Seal, Oil, 52mm x 35mm x 10mm ..
21	721-04067	1	S	O-Ring, 19mm x 3mm
22	731-04336	1	S	Dipstick, Front Axle
	721-04058	1		Washer, Seal
23	736-0264	6	S	Washer, Flat, .33 x .63 x .0635
24	736-0287	1	S	Washer, Flat, .793 x 1.24 x .06 Hdn.
25	736-04098	2	S	Washer, Special Spherical
26	736-0562	AR	S	Washer, Flat, .793 x 1.37 x .005
	736-0563	AR		Washer, Flat, .793 x 1.37 x .010
	736-0564	AR		Washer, Flat, .793 x 1.37 x .015
	736-0565	AR		Washer, Flat, .793 x 1.37 x .020
	737-0566	AR		Washer, Flat, .793 x 1.37 x .025
27	741-04038	1	S	Washer, Thrust, 1.66 x 2.59 x .059
28	741-04039	1	S	Washer, Thrust, 1.03 x 1.73 x .059
29	741-04042	2	S	Bearing, Tapered Roller w/ Race ...
30	741-04044	2	S	Bearing, Ball
31	741-04045	1	S	Bearing, Ball
32	741-04046	1	S	Bearing, Ball
33	750-04133	2	S	Spacer, 20 x 25 x 16mm
34	750-04164	1	S	Spacer, 25 x 35 x 12mm
35	750-0750	2	S	Spacer, .5 x .75 x .86
	737-3065	1	/P	Oil, 85W-140 2.5 qt.



4WD Transmission Connections 1B065G & Before

Ref #	Part Number	Qty	S/P/F	Description
	NLA	1		Transmission Ass'y. Service
	737-3120	1	/P	Transmission Oil, 1 Qt. 5 gal
	737-3121	1	/P	Transmission Oil, 1 Gal.
	759-3958	AR		Sealant, Loctite® Black, 5.3 oz.
1	603-0980	1	S	Arm, Hydro
2	703-05027	1	S	Bracket, Return
3	703-05035	1	S	Bracket, Filter Mounting
4	703-05041	1		Arm, Neutral - RH
5	703-05042	1		Arm, Neutral - LH
6	703-05050	1	S	Bracket, Clutch Torque
7	710-0189	2	/P	Screw, Hex Cap, 5/16-18 x 3.0 GR5
8	710-0751	2	/P	Screw, Hex Cap, 1/4-20 x .62 GR5
9	710-0817	2		Screw, Hex Wash. Hd. Tapp, 5/16-18 x 1.25
10	710-1695	2		Screw, Socket Hd. 3/8-16 x 1.0
11	710-1882	3		Screw, Hex Flange, 5/16-18 x 1.5 GR5
12	710-3226	2		Screw, Hex Cap Lock, 5/16-18 x 5.5 GR5
13	710-3242	1		Screw, Set - Lock 5/16 x .5 GR5
14	710-04040	1	/P	Screw, Shoulder, .497 x .750: 3/8-16
15	712-0200A	1	/P	Nut, Hex Patch Lock, 1/2-20
16	712-3004A	4	/P	Nut, Hex Flange Lock, 5/16-18 GR5
17	712-3005	1	S	Nut, Hex Flange Lock, 3/8-16
18	716-0111	1	/P	Ring, Retaining
19	717-3543	1	S	Pump, Hydrostatic Transmission
20	717-04114	1	S	Gear, Bevel, 35T
21	718-3153	1	S	Pump, Auxiliary Hydraulic
22	718-04001	1	S	Valve, Check
23	721-04002	1	S	O-Ring, 2.425 ID x .103
24	723-3071	1		Filter, Oil - Hydraulic System
25	726-0205	1	/P	Clamp, Hose
26	727-3002	1	S	Fitting, Straight
27	727-3012	1	/P	Fitting, 90 Degree
28	727-04007	1	S	Tube, Hydro Inlet
29	727-04021	1	S	Tube, Filter Inlet
30	727-04054	1	S	Tube, Aux. Pump Inlet
31	731-3371	1		Fan, Transmission Cooling
32	732-3119	1	S	Spring, Extension, .50 x 1.975 x .072
33	736-0119	4	S	Washer, Lock, 5/16
34	736-0242	1	/P	Washer, Bell., .34 x .872 x .06
35	736-0253	1	S	Washer, Belleville
36	736-0329	2	S	Washer, Lock, 1/4
37	736-0355	1	/P	Washer, Flat, .56 x 1.0 x .04
38	736-0864	1	S	Washer, Thrust, .375 x .812 x .06
39	737-0296	1	/P	Vent, 3/8 Dia
40	737-0299	1		Fitting, Elbow
41	737-0336	1	/P	Fitting, Hyd. Adapter w/O-ring
42	737-0337	1		Fitting, Hyd. Adapter w/O-ring
43	737-0349	1		Fitting, Plug
44	737-3105	1		Fitting, Filter Nipple
45	737-04011	1	S	Adapter, Oil Filter
46	737-04016	1	S	Fitting, Branch Tee
47	737-04020	1	S	Fitting, Adapter
48	737-04026	1	S	Fitting, Run Tee
49	737-04032	1	S	Indicator, Oil Level Sight