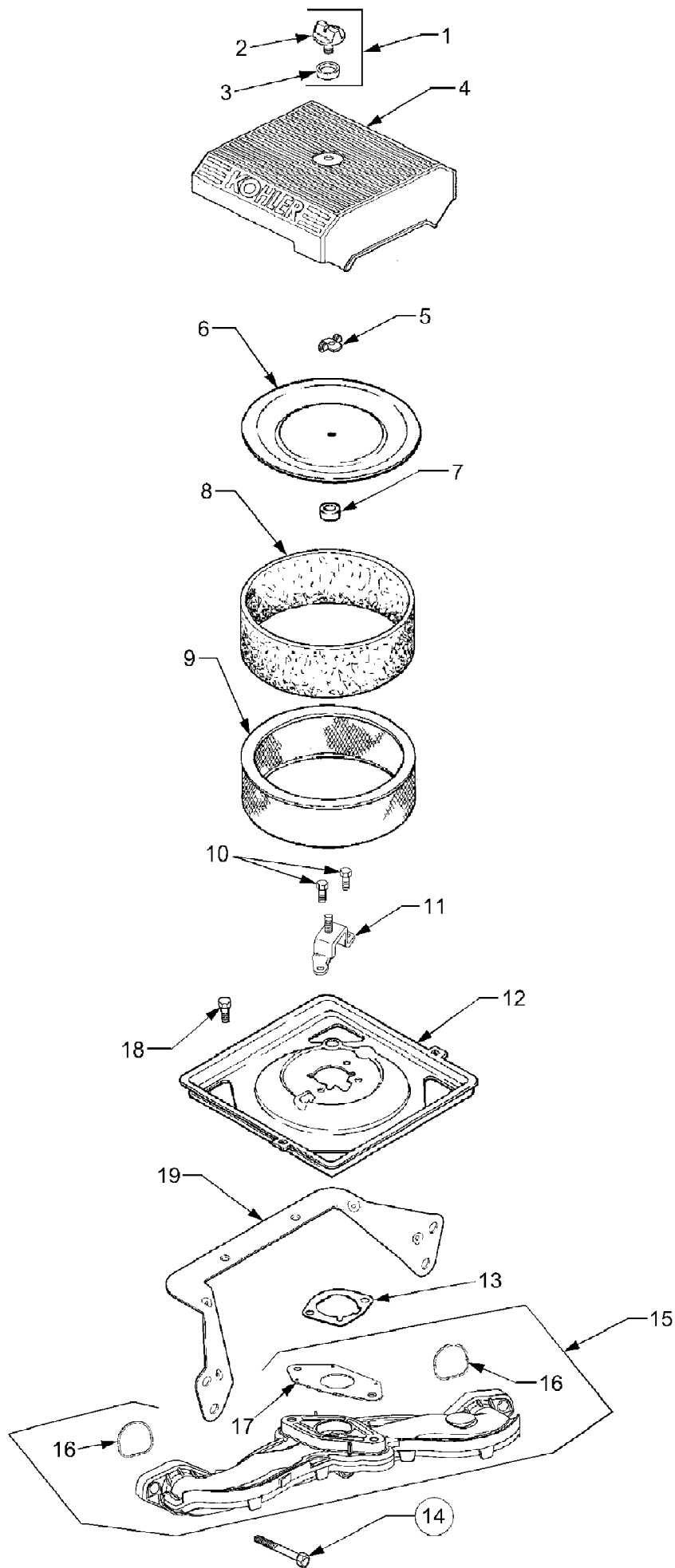
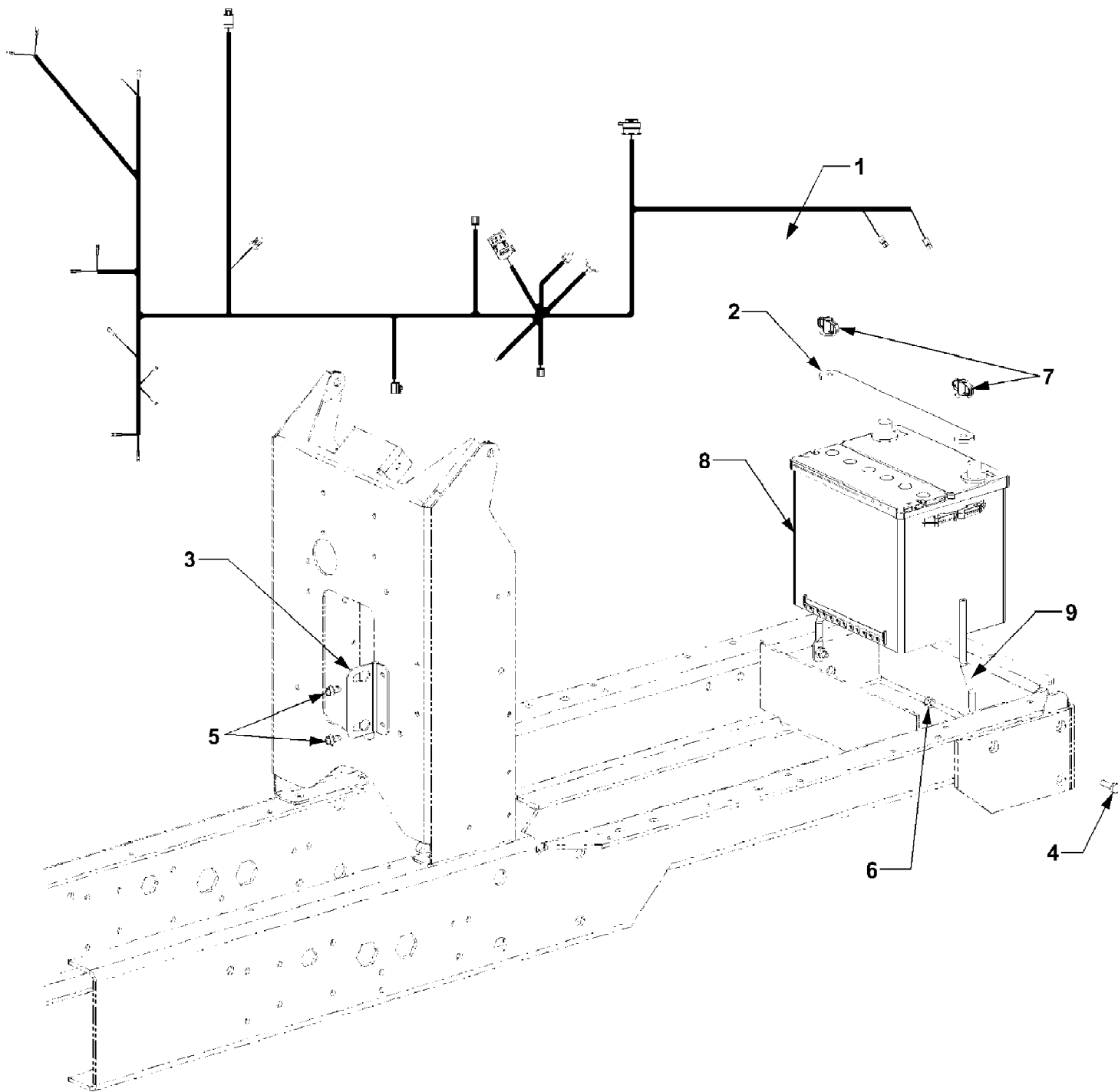


5252E Tractor S/N 1J015G & Before  
Air Intake



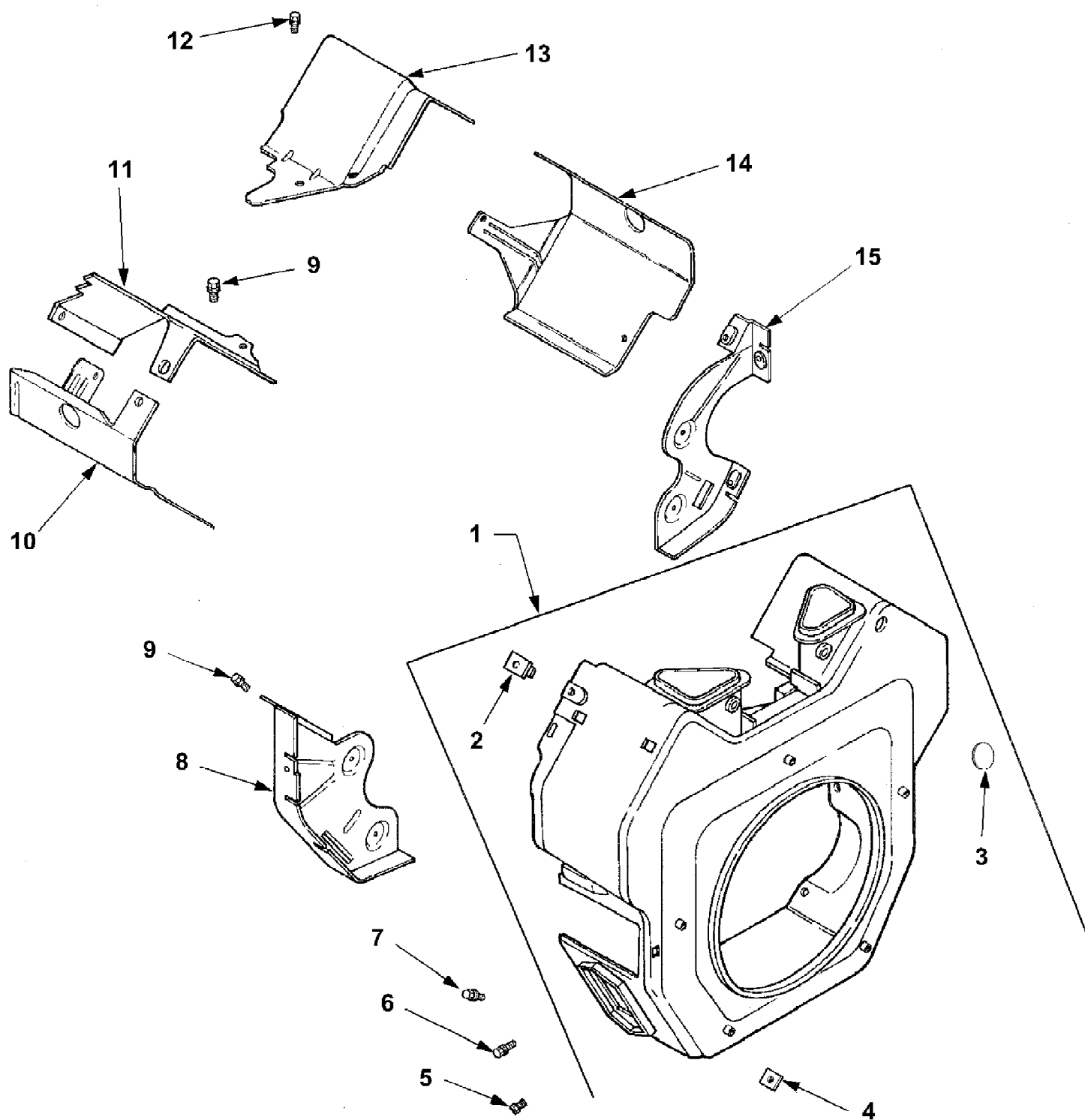
Ref #	Part Number	Qty	S/P/F	Description
1	KH-54-755-01-S	1	/P	Kit, Knob w/Seal (Incl. Ref #2,3)
2	KH-25-341-03	1	/P	Knob, Cover
3	KH-24-153-20-S	1		Seal, Air Cleaner Cover Knob
4	KH-24-096-69-S	1	/P	Cover, Air Cleaner
5	KH-12-100-01	1	/P	Wing Nut
6	KH-24-096-01	1	/P	Cover, Inner Air Cleaner
7	KH-24-032-03	1	/P	Seal, Inner Air Cleaner
8	KH-24-083-05-S	1	S	Precleaner, Element, 71mm deep
9	KH-24-083-03-S	1	S	Element, Air Cleaner, 74mm deep
10	KH-M-0639016-S	3		Screw, Hex Flange, M6 x 1.0 x16
11	KH-24-126-21	1		Bracket, Air Cleaner Base
12	KH-24-094-24-S	1	S	Base, Air Cleaner
13	KH-24-041-06	1	/P	Gasket, Air Cleaner Base
14	KH-M-651040-S	4		Screw, Hex Flange, M6 x 1.0 x 40
15	KH-24-164-54-S	1	S	Manifold, Intake (Includes Ref. Nos. 16 and 17)
16	KH-24-153-27-S	2	/P	O-Ring, Intake Manifold
17	KH-24-041-53-S	1		Gasket, Carburetor
18	KH-M-0545010	2	/P	Screw, Hex Flng, M5 x 0.8 x 10
19	KH-24-126-130-S	1		Bracket, Air Cleaner Base



5252E Tractor S/N 1J015G & Before  
Battery And Electrical

Page 4 of 73

Ref #	Part Number	Qty	S/P/F	Description
1	629-3085	1	S	Harness, Main Wire
2	703-4104-0637	1	/P	Strap, Battery Holddown
3	703-4131	1	S	Bracket, Fuse Center
4	710-0206	2	/P	Screw, Hex Cap, 1/4-10 x .875 GR5
5	710-0599	2	/P	Screw, Hex Wash Hd. Tapp 1/4-20 x .5
6	712-0324	2	/P	Nut, Hex Nylon Insert Lock, 1/4-20
7	712-0421	2		Nut, Wing w/Bell Washer, 5/16-18
8	725-3174	1	S	Battery, 500 cca Dry
9	747-3433	2		Rod, Battery Holddown



Ref #	Part Number	Qty	S/P/F	Description
1	KH-24-027-175-S	1	/P	Housing, Blower (Incl. Ref #2-4)
2	KH-24-100-02	2		Nut, Plastic
3	KH-25-139-16	1		Plug, Button, 9/16
4	KH-24-100-01	3		Nut, Plastic
5	KH-M-551016-S	1		Screw, Hex Flange, M5 x 0.8 x 16
6	KH-M-545016-S	5	/P	Screw, Hex Flange, M5 x 0.8 x 16
7	KH-M-545020-S	2		Screw, Hex Flange, M5 x 0.8 x 20
8	KH-24-146-17-S	1		Plate, Backing - #2 Side
9	KH-M-645016-S	6	/P	Screw, Hex Flange, M6 x 1.0 x 16
10	KH-24-063-20	1	/P	Baffle, Cylinder Barrel - #2 Side
11	KH-24-063-17	1	/P	Baffle, Valley - #2 Side
12	KH-M-0545010	2	/P	Screw, Hex Flange, M5 x 0.8 x 10
13	KH-24-063-59-S	1		Baffle, Valley - #1 Side
14	KH-24-063-58-S	1	S	Baffle, Cylinder Barrel - #1 Side
15	KH-24-146-20-S	1	/P	Plate, Backing - #1 Side

5252E Tractor S/N 1J015G & Before  
Controls

